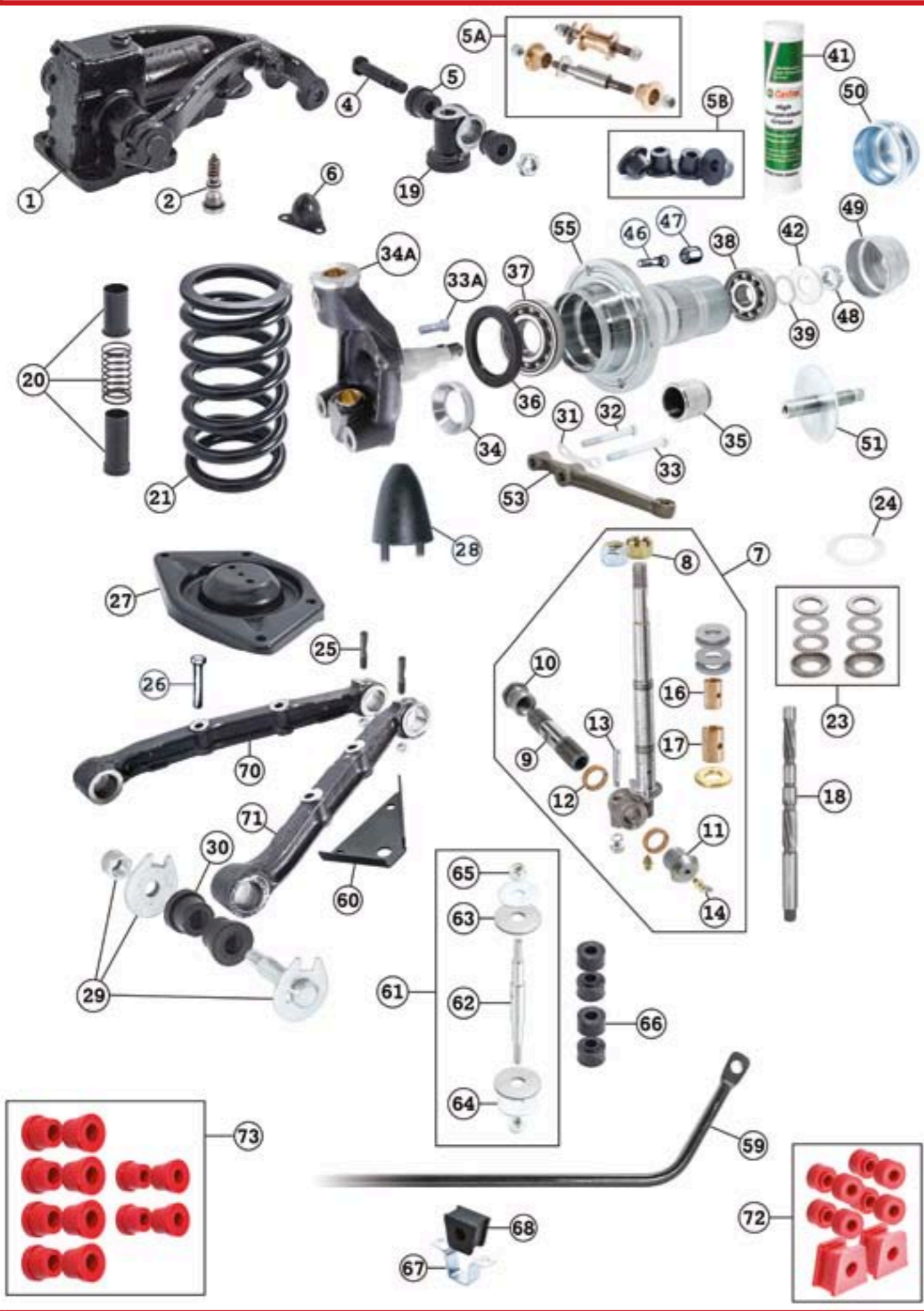


SUSPENSION - FRONT



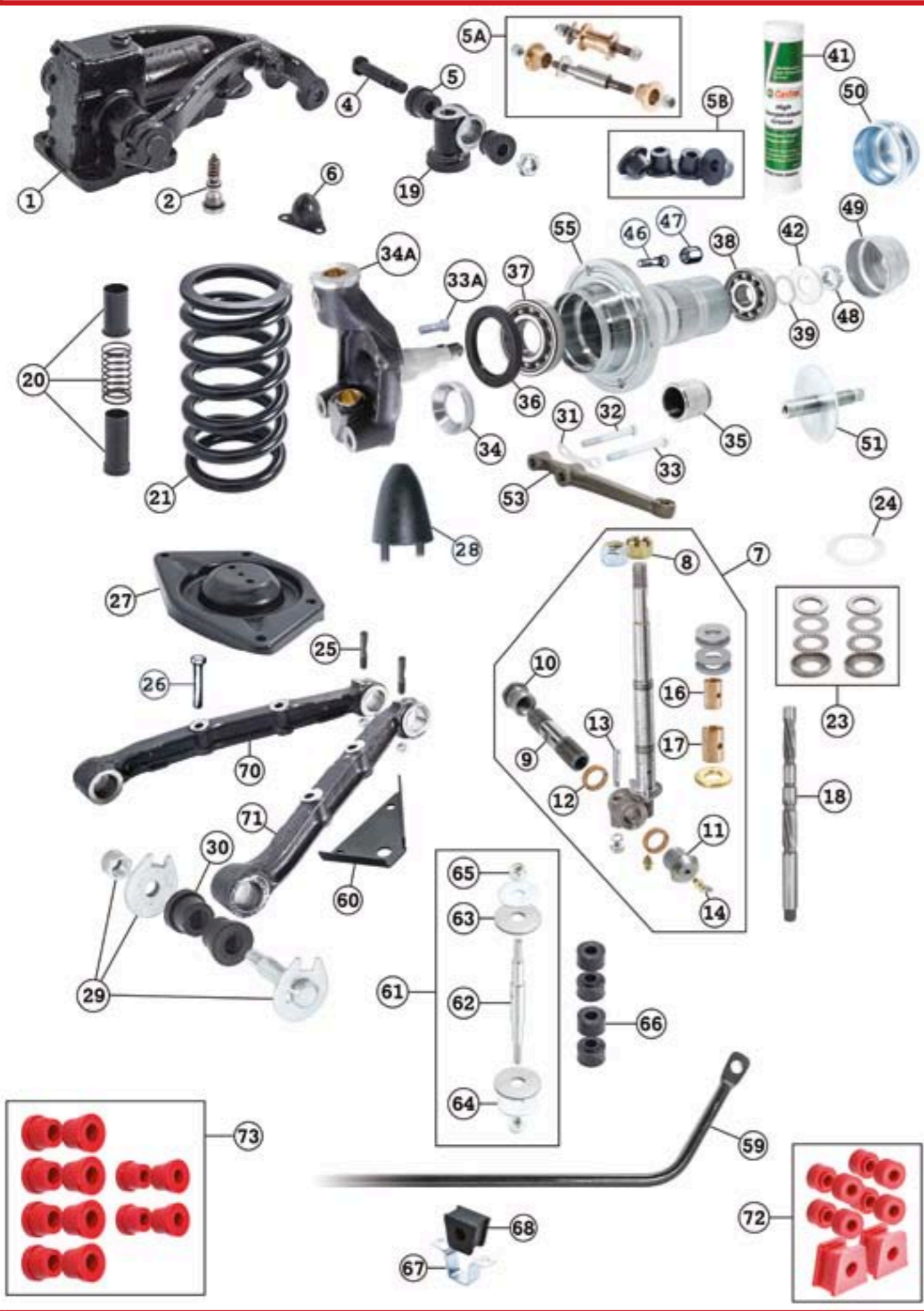
No.	Part No.	Description	Application	Notes	Price ex VAT
1	SUF101	SHOCK ABSORBER-front	BN1-BJ8		£134.95
1	SUF101R	SHOCK ABSORBER-front-RECON.	BN1-BJ8	RECON.EXCHANGE £100 surcharge	£55.00
1	SUF101UR	SHOCK ABSORBER-front-uprated	BN1-BJ8	30% UPRATED	£134.95
2	SUF102	VALVE-shock absorber-up rated	BN1-BJ8		£19.95
4	SUF104	TRUNNION PIN-and nut	BN1-BJ8		£2.00
5	SUF105	RUBBER BUSH-top trunnion	BN1-BJ8		£0.89
5A	SUF105A	ADJUSTABLE TRUNNION KIT	BN1-BJ8	BRASS BUSHES	£115.95
5B	SUF105OF	OFFSET TRUNION BUSH SET	BN1-BJ8	GRAPHITE IMPREGNATED NYLON	£21.50
5	SUF105P	POLYURETHANE BUSH SET- top trunnions	BN1-BJ8		£16.50
6	SUF106	REBOUND RUBBER-upper	BN1-BJ8		£1.15
7	SUF107	KING PIN KIT-inc.F.Pin(Pr.)	BN1-BJ8		£69.00
8	SUF107A	NYLOC NUT-king pin	BN1-BJ8		£0.55
8	SUF107B	CASTELLATED NUT-king pin	BN1-BJ8		£2.30
9	SUF108	FULCRUM PIN-lower	BN1-BJ8		£7.25
10	SUF109	SCREWED CAP(plain)-rear	BN1-BJ8		£4.55
11	SUF110	SCREWED CAP(drilled)-front	BN1-BJ8		£4.55
12	SUF111	CORK RING	BN1-BJ8		£0.47
13	SUF112	COTTER PIN&NUT-king pin	BN1-BJ8		£1.10
14	SUF113	GREASE NIPPLE	BN1-BJ8		£0.48
16	SUF115	BUSH-top-stub axle	BN1-BJ8	PHOS.BRONZE	£7.65
17	SUF116	BUSH-bottom-stub axle	BN1-BJ8	PHOS.BRONZE	£7.65
18	SUF117	REAMER-king pin	BN1-BJ8		£269.95
19	SUF118	TOP TRUNNION	BN1-BJ8		£59.50
20	SUF120	DUST EXCLUDER KIT-king pin	BN1-BJ7.21766		£7.95
21	SUF122	FRONT SPRING	BN1-BN2		£28.95
21	SUF123	FRONT SPRING	BJ7-BJ8	SUITABLE BN4-BJ8	£29.95
23	SUF125	TOP TRUNNION BEARING KIT-PAIR	BN1-BJ8	REPLACES THRUST WASHER	£29.95
24	SUF126	SHIM-0.004'-trunnion bearing	BN1-BJ8		£0.15
25	SUF128	COTTER PIN-link,fulcrum pin	BN1-BJ8		£1.60
26	SUF129	BOLT-wishbone arm to springpan	BN2-BJ8		£0.85
27	SUF130	SPRING PAN	BN1-BJ8		£35.50
28	SUF131	BUMP RUBBER-lower	BN1-BJ8		£5.95
29	SUF132	PIN ASSY-inner wishbone,comp.	BN1-BJ8		£7.95
30	SUF133	BUSH-inner wishbone	BN1-BJ8		£1.25
30	SUF133P	POLYURETHANE BUSH SET- inner wishbones	BN1-BJ8		£29.50
31	SUF134	LOCKWASHER-steering arm bolt	BN2-BJ8.26704		£2.45
32	SUF135	BOLT-SHORT-steering lever	BT7-BJ8.26704		£0.95
33	SUF136	BOLT-LONG-steering lever	BT7-BJ8.26704		£1.05
33A	SUF137	BOLT-plate to swivel axle	BN1-BJ8.26704	U.N.F.	£0.92



This amazing little invention replaces the bronze thrust washers in the top trunnions. Friction is reduced and makes the heavy manoeuvring of your Healey a thing of the past. Extremely high quality and not to be compared with cheaper alternatives available on the market.

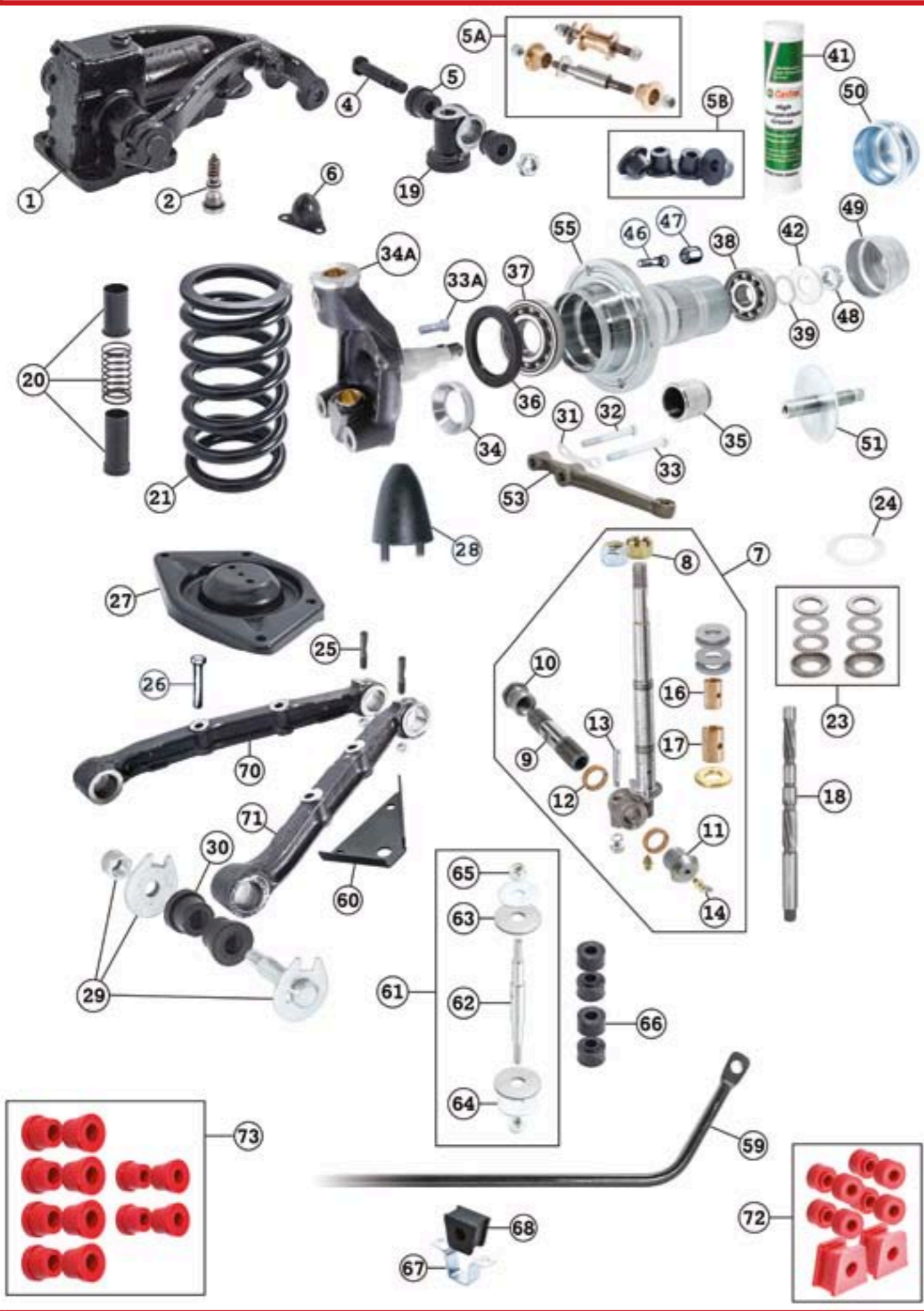
**SUF125**





No.	Part No.	Description	Application	Notes	Price ex VAT
34	SUF138	SPACER-swivel axle	BJ8.26705 ON		£20.95
34A	SUF139	FRONT STUB AXLE	BN2-BJ8.26704	HEAVY DUTY	£279.00
34A	SUF139B	FRONT STUB AXLE - R/H	BJ8.26705 ON		£259.95
34A	SUF139C	FRONT STUB AXLE - L/H	BJ8.26705 ON		£259.95
35	SUF140	SPACER-wheel bearing	BN2-BJ8.26704		£14.50
35	SUF141	SPACER-wheel bearing	BN1&BJ8.26705 ON		£13.95
36	SUF142	OIL SEAL-front hub	BN1-BJ8		£1.75
37	SUF143	WHEEL BEARING-front inner	BN1		£34.50
37	SUF143HQ	WHEEL BEARING-front inner-H/QUAL BRANDED	BN1	HIGH QUALITY BRANDED BEARING	£59.95
37	SUF144	WHEEL BEARING-front inner	BN2-BJ8		£8.25
37	SUF144HQ	WHEEL BEARING-front inner-H/QUAL BRANDED	BN2-BJ8	HIGH QUALITY BRANDED BEARING	£17.95
37	SUF145	WHEEL BEARING-front inner(D/W)	BN4&BN6	USE.SUF143	-
38	SUF147	WHEEL BEARING-front outer	BN1		£13.95
38	SUF147HQ	WHEEL BEARING-front outer-H/QUAL BRANDED	BN1	HIGH QUALITY BRANDED BEARING	£39.50
38	SUF148	WHEEL BEARING-front outer	BN2-BJ8.26704		£13.50
38	SUF148HQ	WHEEL BEARING-front outer-H/QUAL BRANDED	BN2-BJ8.26704	HIGH QUALITY BRANDED BEARING	£29.95
38	SUF149	WHEEL BEARING-front outer	BJ8.26705 ON		£5.50
38	SUF149HQ	WHEEL BEARING-front outer-H/QUAL BRANDED	BJ8.26705 ON	HIGH QUALITY BRANDED BEARING	£15.95
38	SUF150	WHEEL BEARING-front outer(D/W)	BN4-BN6		£25.50
39	SUF151	SHIM-wheel bearing.003'	BN2-BJ8.26704		£1.30
39	SUF152	SHIM-wheel bearing.005'	BN2-BJ8.26704		£1.30
39	SUF153	SHIM-wheel bearing.010'	BN2-BJ8.26704		£1.30
39	SUF154	SHIM-wheel bearing.032'	BN2-BJ8.26704		£1.30
39	SUF155	SHIM-wheel bearing.003'	BJ8.26705 ON		£0.59
39	SUF156	SHIM-wheel bearing.005'	BJ8.26705 ON		£0.59
39	SUF157	SHIM-wheel bearing.010'	BJ8.26705 ON		£0.59
39	SUF158	SHIM-wheel bearing.030'	BJ8.26705 ON		£0.75
41	SUF161	GREASE- SPHEEROL LMX - 400gm	A/R	USE.LUB270	-
42	SUF162	WASHER-front hub	BN1-BJ8		£0.85
46	SUF165	STUD-hub to brake drum	BN1		£3.00
46	SUF166	STUD-hub to brake drum	BN2-BN6	WIRE WHEELS	£6.50
46	SUF167	STUD-hub to brake disc	BT7&BN7-BJ8.26704		£3.75
46	SUF167C	BOLT-hub to brake disc	BJ8.26705 ON	USE.RAX221	-
47	SUF168	NUT-front hub stud	BN1-BN1.228046		£3.10
48	SUF169	NUT-front hub retaining	BN1.221404-BJ8		£2.60
49	SUF170	GREASE CAP-wire wheel	BN1-BJ8.26704		£10.50
49	SUF171	GREASE CAP-wire wheel	BJ8.26705 ON		£2.85
50	SUF172	GREASE CAP-disc wheel	BT7&BN7-BJ8		£5.35
51	SUF174	EXTRACTOR TOOL-for grease cap	BN1-BJ8	WIRE WHEEL ONLY	£10.75
53	SUF176	STEERING LEVER-RH	BN1		£95.00
53	SUF177	STEERING LEVER-LH	BN1		£95.00
53	SUF178	STEERING LEVER-RH	BN2-BJ8		£95.00
53	SUF179	STEERING LEVER-LH	BN2-BJ8		£95.00
55	SUF180	HUB-front wire wheel, R/H	BN1	MATERIAL -EN8E STEEL FORGING	£73.50
55	SUF181	HUB-front wire wheel, L/H	BN1	MATERIAL -EN8E STEEL FORGING	£73.50
55	SUF182	HUB-front wire wheel, R/H	BN2-BN6	MATERIAL -EN8E STEEL FORGING	£69.00
55	SUF183	HUB-front wire wheel, L/H	BN2-BN6	MATERIAL -EN8E STEEL FORGING	£69.00
55	SUF184	HUB-front wire wheel, R/H	BT7&BN7-BJ8.26704	MATERIAL -EN8E STEEL FORGING	£68.50





No.	Part No.	Description	Application	Notes	Price ex VAT
55	SUF185	HUB-front wire wheel,L/H	BT7&BN7-BJ8.26704	MATERIAL -EN8E STEEL FORGING	£68.50
55	SUF186	HUB-front wire wheel,R/H	BJ8.26705 ON	MATERIAL -EN8E STEEL FORGING	£68.50
55	SUF187	HUB-front wire wheel,L/H	BJ8.26705 ON	MATERIAL -EN8E STEEL FORGING	£68.50
59	SUF191	ANTI-ROLL BAR 5/8'	BN4-BJ8	SUITABLE 100/4	£89.50
59	SUF192	ANTI-ROLL BAR 3/4' (up rated)	BN4-BJ8	SUITABLE 100/4	£89.50
59	SUF192RA	FASTROAD/RALLY ANTI ROLL BAR KIT-22MM	BN1-BJ8	ADJUSTABLE	£320.00
59	SUF192UR	CIRCUIT RACE ANTI ROLL BAR KIT-25MM	BN1-BJ8	ADJUSTABLE	£320.00
59	SUF192K	ANTI-ROLL BAR KIT 7/8'(comp)	BN1-BJ8	INC FITTING KIT	£154.50



SUF192K

Based on the same design as the original anti-roll bar, we have increased the bar thickness from 5/8" to 7/8".

This anti-roll bar is supplied with uprated polyurethane bushes, link rods and special chassis mounting brackets. Mostly used for competitive rallying or mild racing. Direct replacement with no additional modification required.

We have worked closely with one of the country's leading anti-roll bar manufacturer to bring you the highest quality bars available.

All our bars are made from high quality sprung steel and are not just a bent steel bar. This is to give the strength required and will prevent the bar from distorting.

60	SUF193	MOUNTING BRACKET-A.R.B,R/H	BN1-BJ8		£5.60
60	SUF194	MOUNTING BRACKET-A.R.B,L/H	BN1-BJ8		£5.60
61	SUF195	LINK ASSY(inc.washers & nuts)	BN1-BJ8		£4.90
62	SUF196	LINK-A.R.B	BN1-BJ8		£3.45
63	SUF197	WASHER-A.R.B LINK,large	BN1-BJ8		£0.25
64	SUF198	WASHER-A.R.B LINK,small	BN1-BJ8		£0.18
65	SUF199	LOCK NUT-A.R.B.LINK	BN1-BJ8		£0.15
66	SUF200	BUSH,RUBBER-A.R.B LINK	BN1-BJ8		£0.56
66	SUF200P	POLYURETHANE BUSH SET- A.R.B. LINK	BN1-BJ8		£8.40
67	SUF201	STRAP BRACKET	BN1-BJ8		£0.97
68	SUF202	BUSH RUBBER-strap bracket	BN1-BN2		£0.78
68	SUF202P	POLYURETHANE BUSH SET-9/16" bush strap brkt	BN1-BN2		£9.60
68	SUF203	BUSH RUBBER-strap bracket	BN4-BJ8		£0.95
68	SUF203P	POLYURETHANE BUSH SET-5/8" bush strap brkt	BN1-BJ8		£9.60
68	SUF204	BUSH RUBBER-strap bracket-3/4"	BN4-BJ8	UPRATED A.R.B	£1.20
68	SUF204P	POLYURETHANE BUSH SET-3/4" bush strap brkt	BN4-BJ8	UPRATED A.R.B	£9.60
70	SUF207	WISHBONE ARM - R/H/F & L/H/R	BN2-BJ8		£135.00
71	SUF208	WISHBONE ARM - L/H/F & R/H/R	BN2-BJ8		£135.00
72	SUF210	A.R.B POLYBUSH KIT-9/16" bar	BN1-BN2	TOURING	£42.50
72	SUF211	A.R.B POLYBUSH KIT-9/16" bar	BN1-BN2	PERFORMANCE	£42.50
72	SUF212	A.R.B POLYBUSH KIT-5/8" bar	BN4-BJ8	TOURING	£42.50
72	SUF213	A.R.B POLYBUSH KIT-5/8" bar	BN4-BJ8	PERFORMANCE	£42.50
72	SUF213A	A.R.B POLYBUSH KIT-3/4" bar	BN4-BJ8	TOURING	£42.50
72	SUF213B	A.R.B POLYBUSH KIT-3/4" bar	BN4-BJ8	PERFORMANCE	£42.50
72	SUF214	A.R.B POLYBUSH KIT-7/8" bar	BN4-BJ8	TOURING	£42.50
72	SUF215	A.R.B POLYBUSH KIT-7/8" bar	BN4-BJ8	PERFORMANCE	£42.50
73	SUF220	WISHBONE POLYBUSH KIT	BN1-BJ8	TOURING	£46.25
73	SUF221	WISHBONE POLYBUSH KIT	BN1-BJ8	PERFORMANCE	£46.25