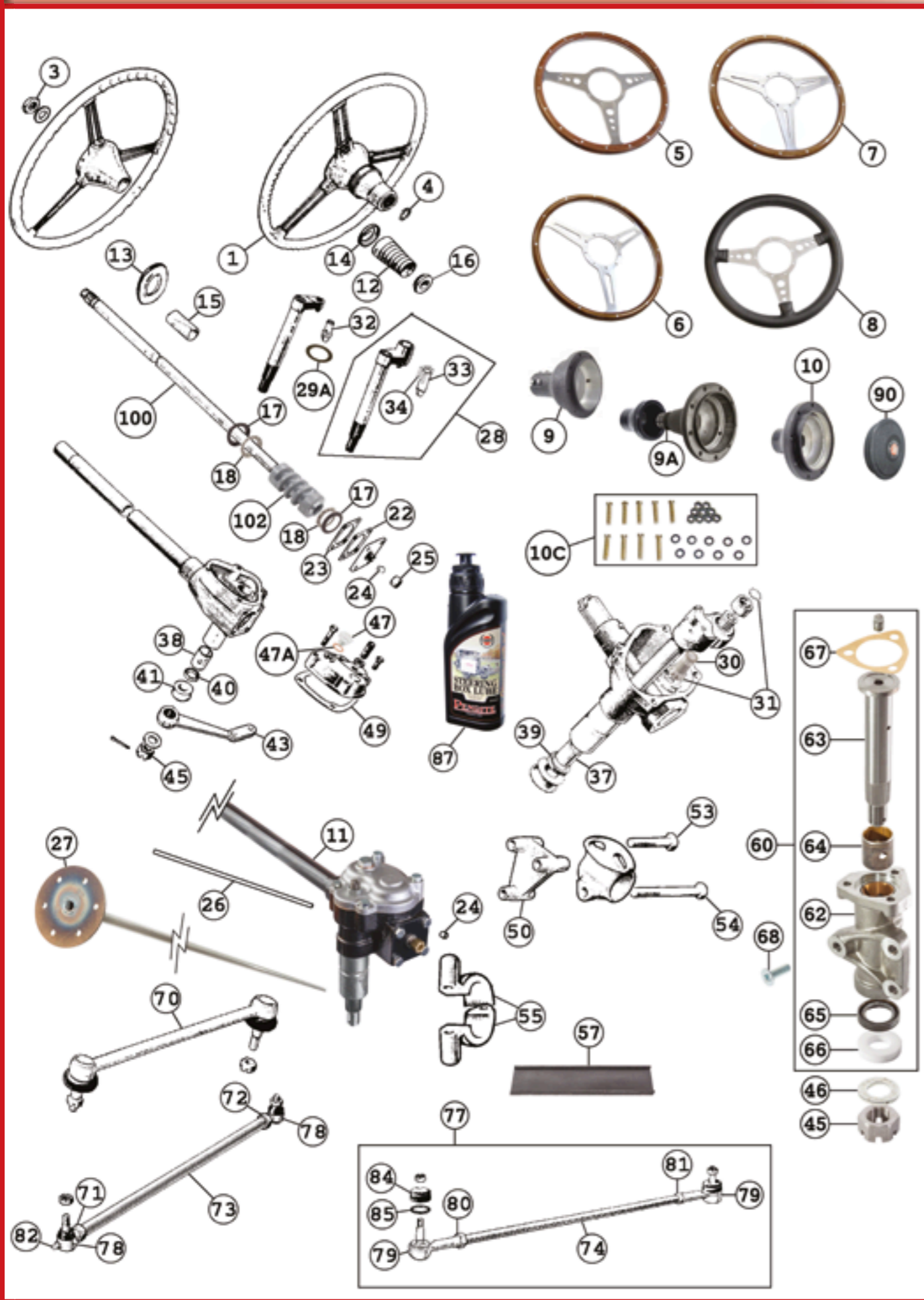
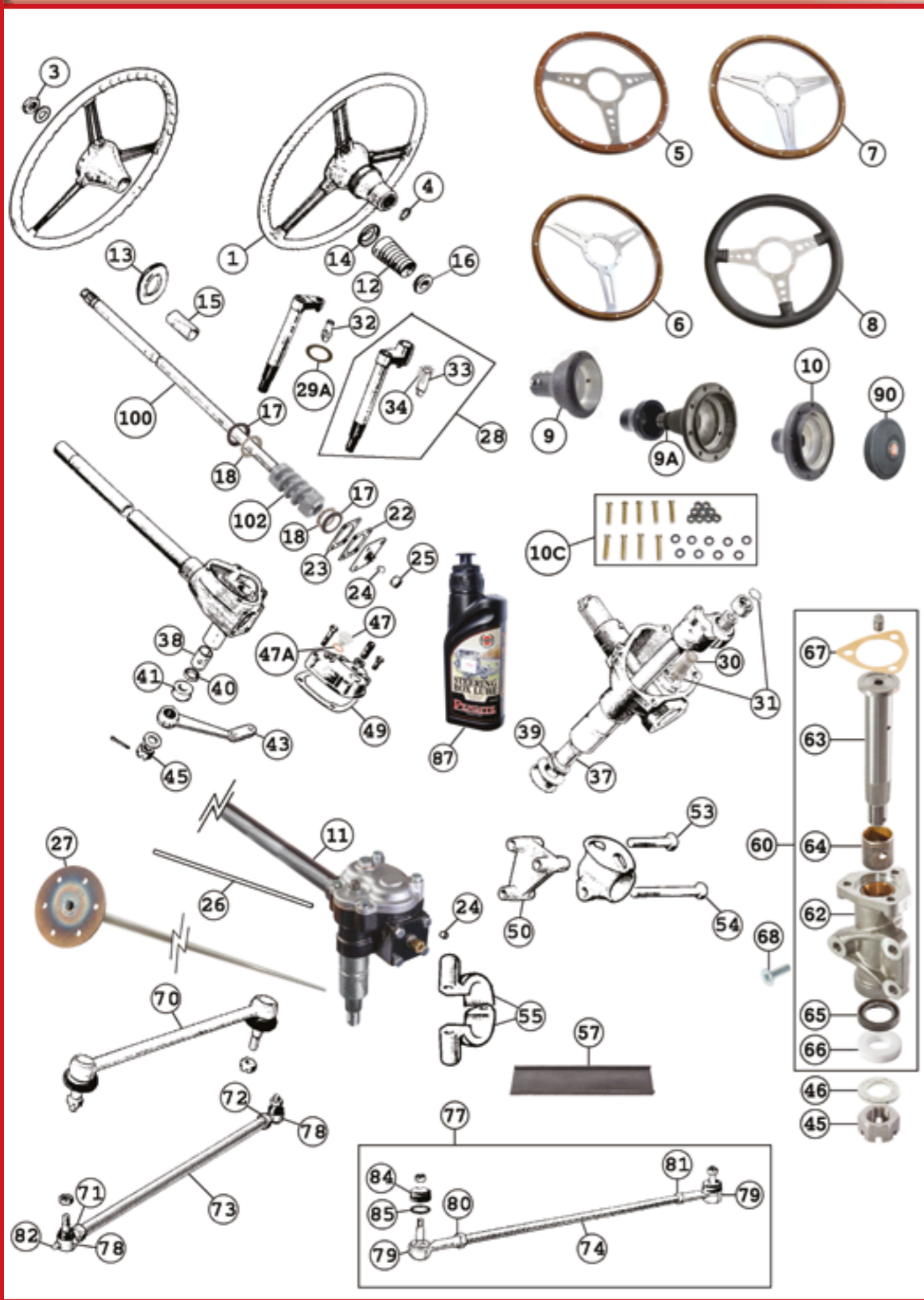


STEERING



No.	Part No.	Description	Application	Notes	Price ex VAT
1	STG101	STEERING WHEEL-orig.type(adj.)	BN1-BJ8		£299.95
3	STG103	NUT-wheel retaining(n.adjust)	BN1-BJ8		£8.50
4	STG104	CIRCLIP-wheel retaining(adj.)	BN1-BJ8		£1.25
5	STG105	STEERING WHEEL-Moto Lita(15')	BN1-BJ8	WOOD-RIM-DRILLED	£142.00
5	STG105A	STEERING WHEEL-Moto Lita(14')	BN1-BJ8	WOOD-RIM-DRILLED	£142.00
6	STG106	STEERING WHEEL-Moto Lita(15')	BN1-BJ8	WOOD-RIM-SLOTTED	£142.00
7	STG106A	STEERING WHEEL-Moto Lita(15') DERRINGTON	BN1-BJ8	DERRINGTON	£195.00
7	STG106D	STEERING WHEEL-Derrington style-MAHOGANY	BN1-BJ8	MAHOGANY	£339.50
8	STG107	STEERING WHEEL-Moto Lita(15')-Leather	BN1-BJ8	LEATHER-DRILLED	£142.00
8	STG107A	STEERING WHEEL-Moto Lita(14')-Leather	BN1-BJ8	LEATHER-DRILLED	£142.00
8	STG107B	STEERING WHEEL-Moto Lita(14')-Suede	BN1-BJ8	RACING SUEDE-DRILLED	£149.95
9	STG108	BOSS-adj.MotoLita wheel only	BN1-BJ8		£89.50
9A	STG108A	BOSS-adj.(collar type)	BN1-BJ8		£149.95
9A	STG108AP	BOSS-adj.(collar type)-POLISHED	BN1-BJ8		£162.50
10	STG109	BOSS-n.adj.MotoLita wheel only	BN1-BJ8		£73.95
10	STG109AP	BOSS-n.adj.MotoLita POLISHED	BN1-BJ8	POLISHED	£85.00
10C	STG109C	SCREW SET AND RING-wheel to boss	BN1-BJ8	INC NUTS AND WASHERS	£12.50
11	STG111	STEERING BOX-ADJ-R.H.D-NEW	BN4.68960-BJ8	OUTRIGHT SUITABLE FOR BN2	£1,149.75
11	STG111HR	HIGH RATIO STEERING BOX-ADJ-R.H.D-NEW	BN4.68960-BJ8	OUTRIGHT SUITABLE FOR BN2	£1,149.75
11	STG113	STEERING BOX-NON ADJ-RHD-NEW	BN4.68960-BJ8	OUTRIGHT SUITABLE FOR BN2	£1,149.75
11	STG113HR	HIGH RATIO STEERING BOX-NON ADJ-RHD-NEW	BN4.68960-BJ8	OUTRIGHT SUITABLE FOR BN2	£1,149.75
11	STG113L	STEERING BOX-NON ADJ-LHD-NEW	BN4.68960-BJ8	OUTRIGHT SUITABLE FOR BN2	£1,149.75
11	STG113LHR	HIGH RATIO STEERING BOX-NON ADJ-LHD-NEW	BN4.68960-BJ8	OUTRIGHT SUITABLE FOR BN2	£1,149.75
11	STG114	STEERING BOX-ADJ-LHD-NEW	BN4.68960-BJ8	OUTRIGHT SUITABLE FOR BN2	£1,149.75
11	STG114HR	HIGH RATIO STEERING BOX-ADJ-LHD-NEW	BN4.68960-BJ8	OUTRIGHT SUITABLE FOR BN2	£1,149.75
12	STG115	SPRING COVER-polished-adj.only	BN1-BJ8		£18.75
13	STG116	GROMMET-dash for steering col.	BN1-BJ8		£1.25
14	STG117	COLLAR-dust spring-upper	BN1-BJ8	ADJUSTABLE ONLY	£7.50
15	STG118	FELT BUSH-steering col.	BN2-BJ8		£1.95
16	STG119	SPRING SUPPORT-lower	BN1-BJ8	ADJUSTABLE ONLY	£4.95
17	STG119A	BALL CUP-steering col.	BN1-BN2.230977		£17.95
17	STG120	BALL CUP-steering col.	BN2.230978-BJ8		£10.75
18	STG120A	BALL BEARING SET-steering col.	BN1-BN2.230977		£6.20
18	STG121	BALL RACE-steering col.	BN2.230978-BJ8		£10.60
21	STG124	END COVER - steering box	BN4.68960-BJ8		£20.85
22	STG125	GASKET-end cover	BN2.230978-BJ8		£0.45
23	STG126	SHIM-end cover(0.002'-.0025')	BN2.230978-BJ8		£1.15
23	STG127	SHIM-end cover(0.005')	BN2.230978-BJ8		£1.15
23	STG128	SHIM-end cover(0.010')	BN2.230978-BJ8		£1.15
24	STG130	OLIVE-stator tube	BN1-BJ8		£2.30
25	STG131	TUBE NUT-stator tube	BN1-BJ8		£1.75
26	STG132	STATOR TUBE-adjustable	BN1-BJ8	ADJ. COLUMNS	£25.50
27	STG133	STATOR TUBE & PLATE-non adjust	BN1.149950-BJ8		£34.00
28	STG135	ROCKER SHAFT ASSEMBLY-steering	BN4.68960-BJ8		£225.00
29A	STG136A	WASHER - belleville	BN2-BJ8	LATE BN2 ONWARDS	£3.25
30	STG137	PEG-steering box	BN1-BN2.230977		£85.75
31	STG138	BALL BEARINGS-peg	BN1-BN2.230977		£3.50
32	STG139	PEG-rocker shaft	BN2.230978-BN4.68959		£58.50

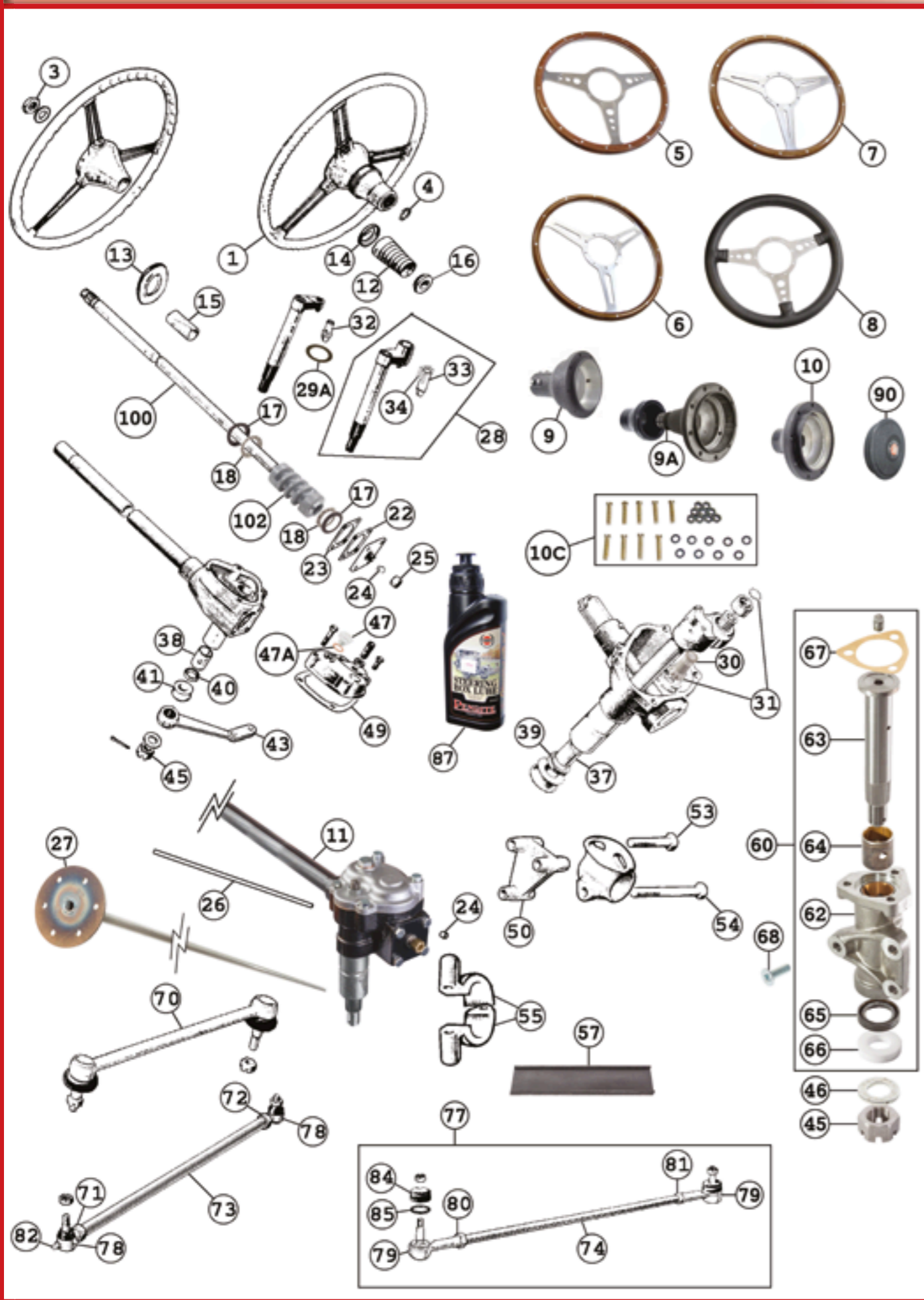
STEERING



No.	Part No.	Description	Application	Notes	Price ex VAT
33	STG140	PEG-rocker shaft	BN4.68960-BJ8		£21.75
34	STG140A	NEEDLE ROLLER - PEG	BN4.68960-BJ8		£0.52
37	STG145	BUSH-steering box	BN1-BN2.230977		£22.70
38	STG146	BUSH-steering box&idler	BN2.230978-BJ8		£4.65
39	STG147	OIL SEAL-steering box only	BN1-BN2.230977		£1.45
40	STG148	OIL SEAL-steering box	BN2.230978-BJ8		£2.75
41	STG149	DUST SEAL-steering box&idler	BN2.230978-BJ8		£1.25
43	STG151	STEERING ARM RHD - NEW	BN2-BJ8	LHD IDLER	£149.50
43	STG152	STEERING ARM LHD - NEW	BN2-BJ8	RHD IDLER	£149.50
45	STG153	NUT-rocker shaft & idler shaft	BN1-BN2.230977	RHD	£3.95
45	STG154	NUT-rocker shaft & idler shaft	BN2.230978-BJ8		£4.05
46	STG155	WASHER-STEERING ARM	BN1-BJ8	ALSO IDLER ARM	£1.25
47	STG156	FILLER PLUG - steering box	BN2-BJ8		£5.50
47A	STG156W	WASHER - filler plug	BN2-BJ8		£0.80
48	STG157	ADJUSTING SCREW - steering box	BN4.68960-BJ8		£19.95
49	STG158	GASKET-steering box cover	BN4.68959-BJ8		£0.60
50	STG160	SPACER BRACKET-strg.box&idler	BN1-BJ8		£22.50
53	STG164	BOLT-strg.box fixing(short)	BN1-BJ8		£0.85
54	STG165	BOLT-strg.box fixing(long)	BN1-BJ8		£1.10
55	STG166	CLAMP-steering column-pair	BN1-BJ8		£17.50
57	STG168	RUBBER STRIP-column clamp	BN1-BJ8		£1.95
60	STG200	STEERING IDLER-R.H.D-complete	BN2.230978-BJ8		£125.00
60	STG201	STEERING IDLER-L.H.D-complete	BN2.230978-BJ8		£125.00
62	STG202	IDLER BODY-R.H.D	BN1-BN2.230977		£65.00
62	STG203	IDLER BODY-R.H.D	BN2.230978-BJ8		£59.75
62	STG204	IDLER BODY-L.H.D	BN2.230978-BJ8		£59.75
63	STG205	SHAFT-idler box	BN2.230978-BJ8		£57.50
64	STG206	BUSH-idler	BN1-BN2.230977		£3.95
64	STG207	BUSH-idler&strg.box	BN2.230978-BJ8	USE.STG146	-
65	STG208	OIL SEAL-idler	BN1-BN2.230977	USE.STG147	-
65	STG209	OIL SEAL-idler	BN2.230978-BJ8		£1.60
66	STG210	DUST SEAL-idler	BN2.230978-BJ8	USE.STG149	-
67	STG211	GASKET-idler lid	BN1-BJ8		£0.48
68	STG212	SCREW - idler to body	BN2.230978-BJ8		£0.69



STEERING



No.	Part No.	Description	Application	Notes	Price ex VAT
70	STG215	SIDE ROD	BN1-BJ8		£38.95
71	STG215A	LOCKNUT-R/H	BN1-BN2.228931		£2.95
72	STG215B	LOCKNUT-L/H	BN1-BN2.228931		£2.95
71	STG216	LOCKNUT-R/H	BN2.228932-BJ7.19190		£0.85
72	STG217	LOCKNUT-L/H	BN2.228932-BJ7.19190		£2.95
73	STG218	CENTRE ROD	BN1-BN2.228931		£22.50
73	STG219	CENTRE ROD	BN2.228932-BJ7.19190		£19.95
74	STG220	CENTRE ROD	BJ7.19191-BJ8		£19.95
77	STG222	CENTRE ROD ASSEMBLY-complete	BN1-BN2.228931		£46.50
77	STG223	CENTRE ROD ASSEMBLY-complete	BN2.228932-BJ7.19190		£38.50
77	STG224	CENTRE ROD ASSEMBLY-complete	BJ7.19191-BJ8		£37.50
78	STG225	TRACK ROD ENDS-centre rod(pr)	BN1-BN2.228931		£22.25
78	STG226	TRACK ROD ENDS-centre rod(pr)	BN2.228932-BJ7.19190		£19.95
79	STG227	TRACK ROD ENDS-centre rod(pr)	BJ7.19191-BJ8		£19.95
80	STG228	LOCKNUT-R/H	BJ7.19191-BJ8		£0.59
81	STG229	LOCKNUT-L/H	BJ7.19191-BJ8		£1.70
82	STG230	GREASE NIPPLE-T.R.E	BN4-BJ7.19190		£0.32
84	STG232	RUBBER GAITER-T.R.E	BN1-BJ8		£1.35
85	STG233	CLIP-retaining,rubber gaiter	BN1-BJ8		£0.20
87	STG236	STEERING BOX LUBE	BN1-BJ8	USE.LUB340	-
90	STG240	HORN BUTTON-moto lita hub only		USE IF ORIG MISSING	£16.90
90	STG241	BILLET CAP POLISHED-Moto Lita	BN1-BJ8	STEERING WHEEL CENTRE	£41.50
100	STG250	STEERING COLUMN & CAM	BN4.68960-BJ8	R.H.D - NON ADJ	£239.95
100	STG250H	STEERING COLUMN & CAM(HIGH RATIO)	BN4.68960-BJ8	R.H.D - NON ADJ	£239.95
100	STG251	STEERING COLUMN & CAM	BN4.68960-BJ8	R.H.D - ADJ	£239.95
100	STG251H	STEERING COLUMN & CAM(HIGH RATIO)	BN4.68960-BJ8	R.H.D - ADJ	£239.95
100	STG252	STEERING COLUMN & CAM	BN4.68960-BJ8	L.H.D - NON ADJ	£239.95
100	STG252H	STEERING COLUMN & CAM(HIGH RATIO)	BN4.68960-BJ8	L.H.D - NON ADJ	£239.95
100	STG253	STEERING COLUMN & CAM	BN4.68960-BJ8	L.H.D - ADJ	£239.95
100	STG253H	STEERING COLUMN & CAM(HIGH RATIO)	BN4.68960-BJ8	L.H.D - ADJ	£239.95
102	STG255	CAM - steering column - RHD	BN4.68960-BJ8	RIGHT HAND DRIVE	£149.50
102	STG256	CAM - steering column - LHD	BN4.68960-BJ8	LEFT HAND DRIVE	£149.50

