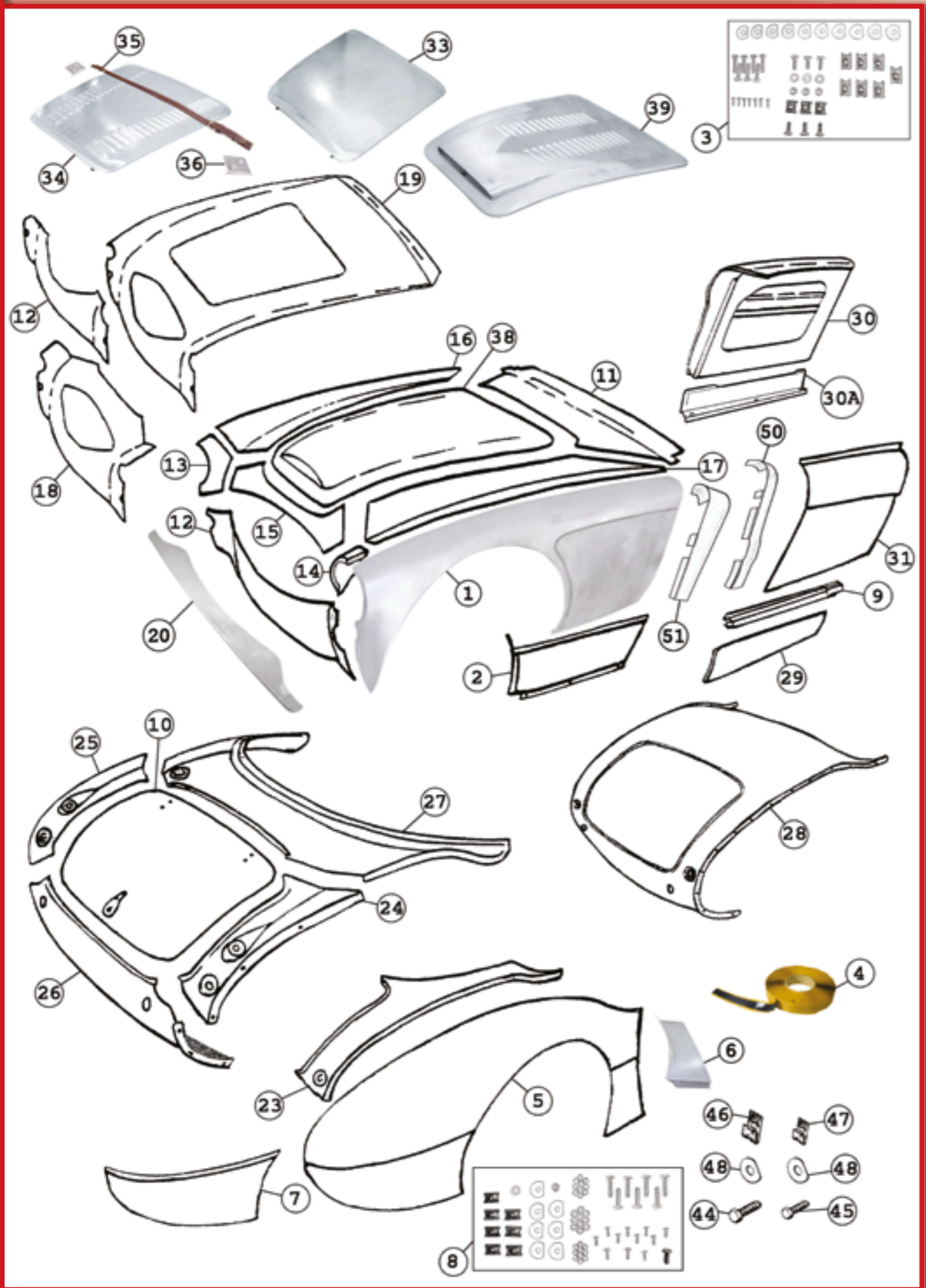


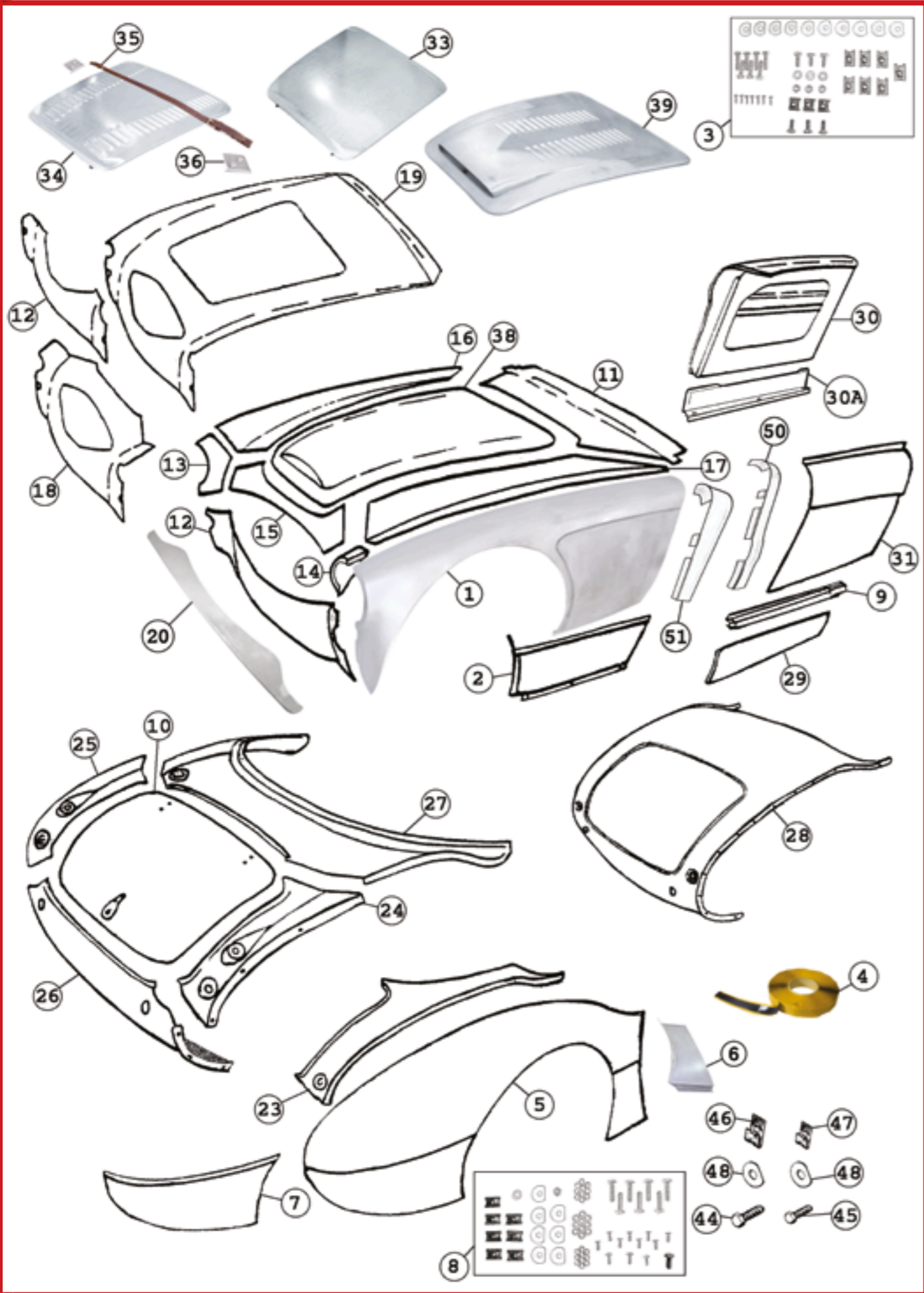
OUTER BODY PANELS



No.	Part No.	Description	Application	Notes	Price ex VAT
1	OBP101	FRONT WING-steel,R/H	BN1	ONE PIECE PRESSING	£875.00
1	OBP102	FRONT WING-steel,L/H	BN1	ONE PIECE PRESSING	£875.00
1	OBP103	FRONT WING-aluminium,R/H	BN1	ONE PIECE PRESSING	£695.00
1	OBP104	FRONT WING-aluminium,L/H	BN1	ONE PIECE PRESSING	£695.00
1	OBP105	FRONT WING-steel,R/H	BN2	ONE PIECE PRESSING	£690.00
1	OBP106	FRONT WING-steel,L/H	BN2	ONE PIECE PRESSING	£690.00
1	OBP107	FRONT WING-aluminium,R/H	BN2	ONE PIECE PRESSING	£675.00
1	OBP108	FRONT WING-aluminium,L/H	BN2	ONE PIECE PRESSING	£675.00
1	OBP109	FRONT WING-steel,R/H	BN4-BJ8	ONE PIECE PRESSING	£585.00
1	OBP110	FRONT WING-steel,L/H	BN4-BJ8	ONE PIECE PRESSING	£585.00
1	OBP111	FRONT WING-aluminium,R/H	BN4-BJ8	ONE PIECE PRESSING	£565.00
1	OBP112	FRONT WING-aluminium,L/H	BN4-BJ8	ONE PIECE PRESSING	£565.00
2	OBP114	WING REPAIR-rear lower-R/H	BN1-BN2	FRONT WING	£74.95
2	OBP115	WING REPAIR-rear lower-L/H	BN1-BN2	FRONT WING	£74.95
3	OBP116	BOLT KIT-front wing(one wing)	BN1-BJ8	USE.WNG110	-
4	OBP117	ANTI CORROSION JOINT STRIP	BN1-BJ8	USE.WNG120	-
2	OBP118	WING REPAIR-rear lower-R/H	BN4-BJ8	FRONT WING	£74.95
2	OBP119	WING REPAIR-rear lower-L/H	BN4-BJ8	FRONT WING	£74.95
5	OBP120	REAR WING-steel,R/H	BN1	ONE PIECE PRESSING	£499.50
5	OBP121	REAR WING-steel,L/H	BN1	ONE PIECE PRESSING	£499.50
5	OBP122	REAR WING-aluminium,R/H	BN1	ONE PIECE PRESSING	£545.00
5	OBP123	REAR WING-aluminium,L/H	BN1	ONE PIECE PRESSING	£545.00
5	OBP124	REAR WING-steel,R/H	BN2-BJ8	ONE PIECE PRESSING	£465.00
5	OBP125	REAR WING-steel,L/H	BN2-BJ8	ONE PIECE PRESSING	£465.00
5	OBP126	REAR WING-aluminium,R/H	BN2-BJ8	ONE PIECE PRESSING	£498.00
5	OBP127	REAR WING-aluminium,L/H	BN2-BJ8	ONE PIECE PRESSING	£498.00
6	OBP130	WING REPAIR-front lower-R/H	BN1-BJ8	REAR WING	£42.75
6	OBP131	WING REPAIR-front lower-L/H	BN1-BJ8	REAR WING	£42.75



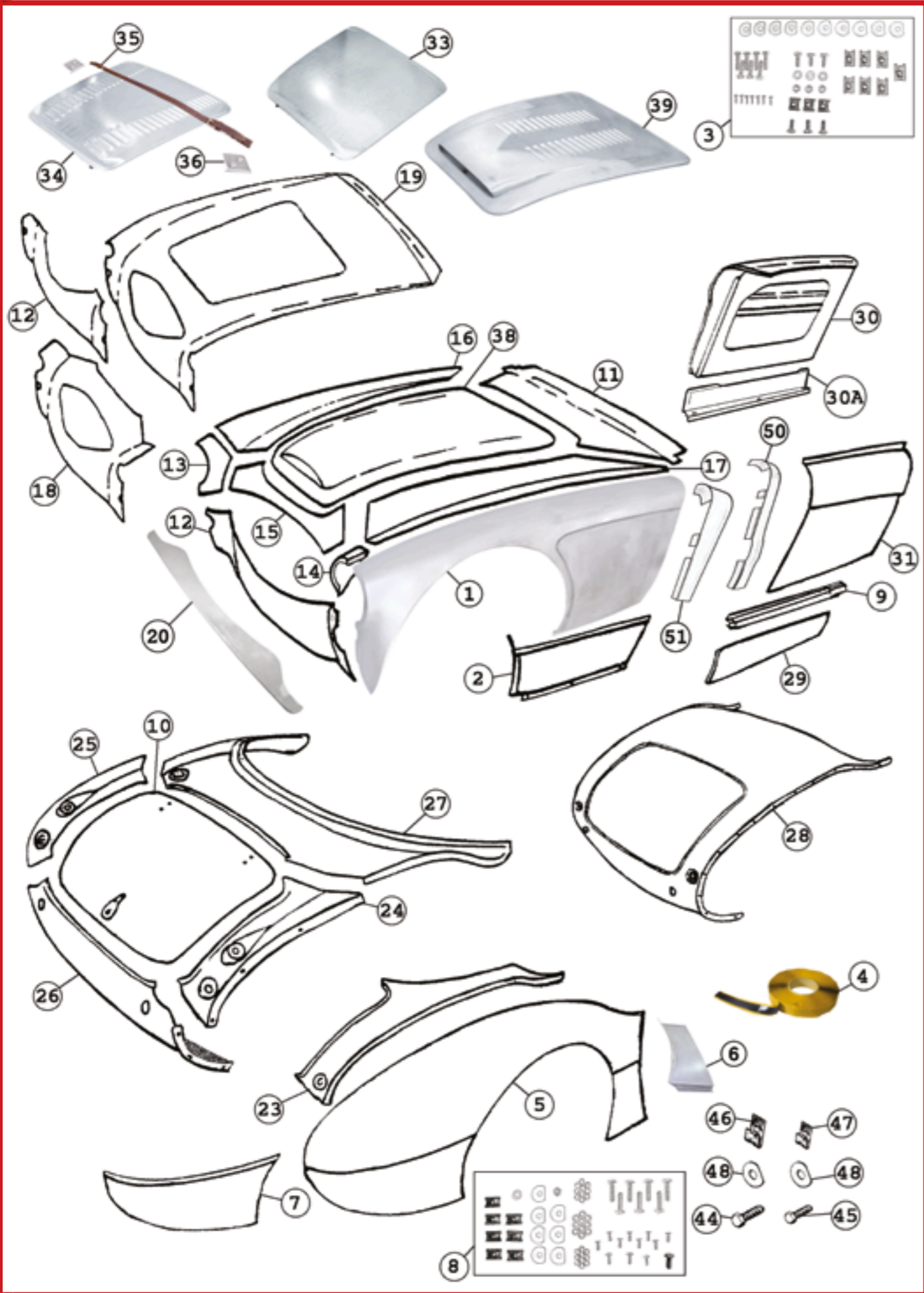




No.	Part No.	Description	Application	Notes	Price ex VAT
7	OBP132	WING REPAIR-rear lower-R/H	BN2-BJ8	REAR WING	£69.95
7	OBP133	WING REPAIR-rear lower-L/H	BN2-BJ8	REAR WING	£69.95
8	OBP135	BOLT KIT-rear wing(one wing)	BN1-BJ8	USE.WNG111	-
9	OBP140	OUTER SILL-R/H	BN1-BN2		£20.50
9	OBP140S	OUTER SILL-R/H	100S	ALUMINIUM	£139.75
9	OBP141	OUTER SILL-L/H	BN1-BN2		£20.50
9	OBP141S	OUTER SILL-L/H	100S	ALUMINIUM	£139.75
9	OBP144	OUTER SILL-R/H	BN4-BJ8		£26.50
9	OBP145	OUTER SILL-L/H	BN4-BJ8		£26.50
10	OBP151	BOOT LID-aluminium	BN1-BN2		£469.50
10	OBP155	BOOT LID-steel	BN4-BJ8		£495.00
10	OBP156	BOOT LID-aluminium	BN4-BJ8		£495.00
11	OBP158	FRONT SHROUD-scuttle top	BJ7-BJ8		£249.00
12	OBP159	FRONT SHROUD-lower fr.section	BN1-BN2		£295.00
12	OBP160	FRONT SHROUD-lower fr.section	BN4-BJ8(B)76137	ONE PIECE PRESSING	£235.00
12	OBP161	FRONT SHROUD-lower fr.section	BJ8(B)76138 ON	ONE PIECE PRESSING	£281.00
13	OBP164	FRONT SHROUD-h'lamp section R/H	BN4-BJ8	ONE PIECE PRESSING	£132.50
14	OBP165	FRONT SHROUD-h'lamp section L/H	BN4-BJ8	ONE PIECE PRESSING	£132.50
15	OBP168	FRONT SHROUD-top front section	BN4-BJ8		£142.50
16	OBP170	FRONT SHROUD-side panel,R/H	BN4-BJ8		£249.50
17	OBP171	FRONT SHROUD-side panel,L/H	BN4-BJ8		£249.50
18	OBP171A	FRONT SHROUD-nose assy. only	BN1-BN2		£905.00
18	OBP171B	FRONT SHROUD-nose assy. only	100S		£1,475.00
18	OBP172	FRONT SHROUD-nose assy. only	BN4-BJ8(B)76137		£845.00
18	OBP173	FRONT SHROUD-nose assy. only	BJ8(B)76138 ON		£895.00
19	OBP174	FRONT SHROUD-complete	BN1-BN2		£2,175.00
19	OBP175	FRONT SHROUD-complete	BN4-BT7		£2,150.00
19	OBP176	FRONT SHROUD-complete	BJ7-BJ8(B)76137		£2,150.00
19	OBP177	FRONT SHROUD-complete	BJ8(B)76138 ON		£2,150.00
20	OBP180	FRONT VALANCE-steel	BN1-BN2		£28.25
20	OBP181	FRONT VALANCE-aluminium	BN1-BN2		£31.25
20	OBP182	FRONT VALANCE-steel	BN4-BJ8		£27.50
20	OBP183	FRONT VALANCE-aluminium	BN4-BJ8		£28.50
23	OBP184B	SIDE REPAIR PANEL-rear shroud	BN1-BN2	R/H-COMPLETE	£219.50
23	OBP185B	SIDE REPAIR PANEL-rear shroud	BN1-BN2	L/H-COMPLETE	£219.50
24	OBP186	SIDE REPAIR PANEL-rear shroud	BN4-BJ8(B)76137	R/H SIDE	£164.95
25	OBP187	SIDE REPAIR PANEL-rear shroud	BN4-BJ8(B)76137	L/H SIDE	£164.95
24	OBP188	SIDE REPAIR PANEL-rear shroud	BJ8(B)76138 ON	R/H SIDE	£209.50
25	OBP189	SIDE REPAIR PANEL-rear shroud	BJ8(B)76138 ON	L/H SIDE	£209.50
26	OBP190	REAR SHROUD-lower rear section	BN4-BJ8		£265.00
27	OBP190D	REAR SHROUD-front upper sectn	BJ7&BJ8		£446.95
28	OBP191	REAR SHROUD-complete	BN1-BN2		£1,295.00
28	OBP191A	REAR SHROUD-complete	BN4 &BT7		£1,350.00
28	OBP192	REAR SHROUD-complete	BJ7-BJ8(B)76137		£1,350.00
28	OBP193	REAR SHROUD-complete	BJ8(B)76138 ON		£1,375.00
29	OBP198	DOOR REPAIR PANEL-lower-R/H	BN1-BN2		£25.95
29	OBP199	DOOR REPAIR PANEL-lower-L/H	BN1-BN2		£25.95
29	OBP200	DOOR REPAIR PANEL-lower-R/H	BN4-BJ8		£25.95
29	OBP201	DOOR REPAIR PANEL-lower-L/H	BN4-BJ8		£25.95



OUTER BODY PANELS



No.	Part No.	Description	Application	Notes	Price ex VAT
30	OBP202	DOOR-complete,aluminium,R/H	BN1-BN2		£369.00
30	OBP203	DOOR-complete,aluminium,L/H	BN1-BN2		£369.00
30	OBP204	DOOR-complete,steel,R/H	BN4-BT7	USE.OBP206	-
30	OBP205	DOOR-complete,steel,L/H	BN4-BT7	USE.OBP207	-
30	OBP206	DOOR-complete,aluminium,R/H	BN4-BT7		£449.50
30	OBP207	DOOR-complete,aluminium,L/H	BN4-BT7		£449.50
30	OBP208	DOOR-complete,aluminium,R/H	BJ8		£535.00
30	OBP209	DOOR-complete,aluminium,L/H	BJ8		£519.50
30A	OBP210	DOOR REPAIR-bottom-R/H	BN1-BN2		£19.50
30A	OBP211	DOOR REPAIR-bottom-L/H	BN1-BN2		£19.50
30A	OBP212	DOOR REPAIR-bottom-R/H	BN4-BT7		£34.50
30A	OBP213	DOOR REPAIR-bottom-L/H	BN4-BT7		£34.50
31	OBP220	DOOR SKIN-steel,R/H	BN1-BN2		£127.50
31	OBP221	DOOR SKIN-steel,L/H	BN1-BN2		£127.50
31	OBP222	DOOR SKIN-aluminium,R/H	BN1-BN2		£139.50
31	OBP223	DOOR SKIN-aluminium,L/H	BN1-BN2		£139.50
31	OBP224	DOOR SKIN-steel,R/H	BN4-BT7		£169.50
31	OBP225	DOOR SKIN-steel,L/H	BN4-BT7		£169.50
31	OBP226	DOOR SKIN-aluminium,R/H	BN4-BT7		£188.50
31	OBP227	DOOR SKIN-aluminium,L/H	BN4-BT7		£188.50
31	OBP228	DOOR SKIN-steel,R/H	BJ7		£158.00
31	OBP229	DOOR SKIN-steel,L/H	BJ7		£158.00
31	OBP230	DOOR SKIN-aluminium,R/H	BJ7		£172.50
31	OBP231	DOOR SKIN-aluminium,L/H	BJ7		£172.50
31	OBP232	DOOR SKIN-steel,R/H	BJ8		£165.00
31	OBP233	DOOR SKIN-steel,L/H	BJ8		£165.00
31	OBP234	DOOR SKIN-aluminium,R/H	BJ8		£172.50
31	OBP235	DOOR SKIN-aluminium,L/H	BJ8		£172.50
33	OBP241	BONNET-aluminium	BN1-BN2	ONE PIECE PRESSING	£415.00
34	OBP243	BONNET LOUVERED-aluminium	BN1-BN2	ONE PIECE PRESSING	£495.00
35	OBP244	STRAP ASSY.-100/4 for OBP242&3	BN1-BN2		£46.50
35	OBP244P	STRAP ASSY.-100/4 for OBP242&3	BN1-BN2	FLEECE LINED HIGH QUALITY	£105.00
36	OBP245	FIXING PLATES-chrome(pr.)	BN1-BN2	FOR.BONNET.STRAP	£10.95
38	OBP250	BONNET,RIBBED-aluminium	BN4	ONE PIECE PRESSING	£465.00
38	OBP253	BONNET,PLAIN-aluminium	BN6-BJ8	ONE PIECE PRESSING	£459.00
39	OBP255	BONNET,LOUVERED-aluminium	BN6-BJ8	ONE PIECE PRESSING	£525.00
44	OBP270	BOLT-wing fixing(long)	BN1-BJ8	USE.WNG112	-
45	OBP271	BOLT-wing fixing(short)	BN1-BJ8	USE.WNG113	-
46	OBP272	SPEEDNUT-wing fixing(large)	BN1-BJ8	USE.WNG114	-
47	OBP273	SPEEDNUT-wing fixing(small)	BN1-BJ8	USE.WNG115	-
48	OBP274	D-WASHER-for wing bolt	BN1-BJ8	USE.WNG116	-
50	OBP276	CLINCH PANEL-steel,R/H	BN4-BT7	REAR OF FRONT WING	£15.75
50	OBP277	CLINCH PANEL-steel,L/H	BN4-BT7	REAR OF FRONT WING	£15.75
50	OBP278	CLINCH PANEL-aluminium,R/H	BN4-BT7	REAR OF FRONT WING	£16.75
50	OBP279	CLINCH PANEL-aluminium,L/H	BN4-BT7	REAR OF FRONT WING	£16.75
51	OBP280	CLINCH PANEL-steel,R/H	BJ7-BJ8	REAR OF FRONT WING	£15.75
51	OBP281	CLINCH PANEL-steel,L/H	BJ7-BJ8	REAR OF FRONT WING	£15.75
51	OBP282	CLINCH PANEL-aluminium,R/H	BJ7-BJ8	REAR OF FRONT WING	£16.75
51	OBP283	CLINCH PANEL-aluminium,L/H	BJ7-BJ8	REAR OF FRONT WING	£16.75