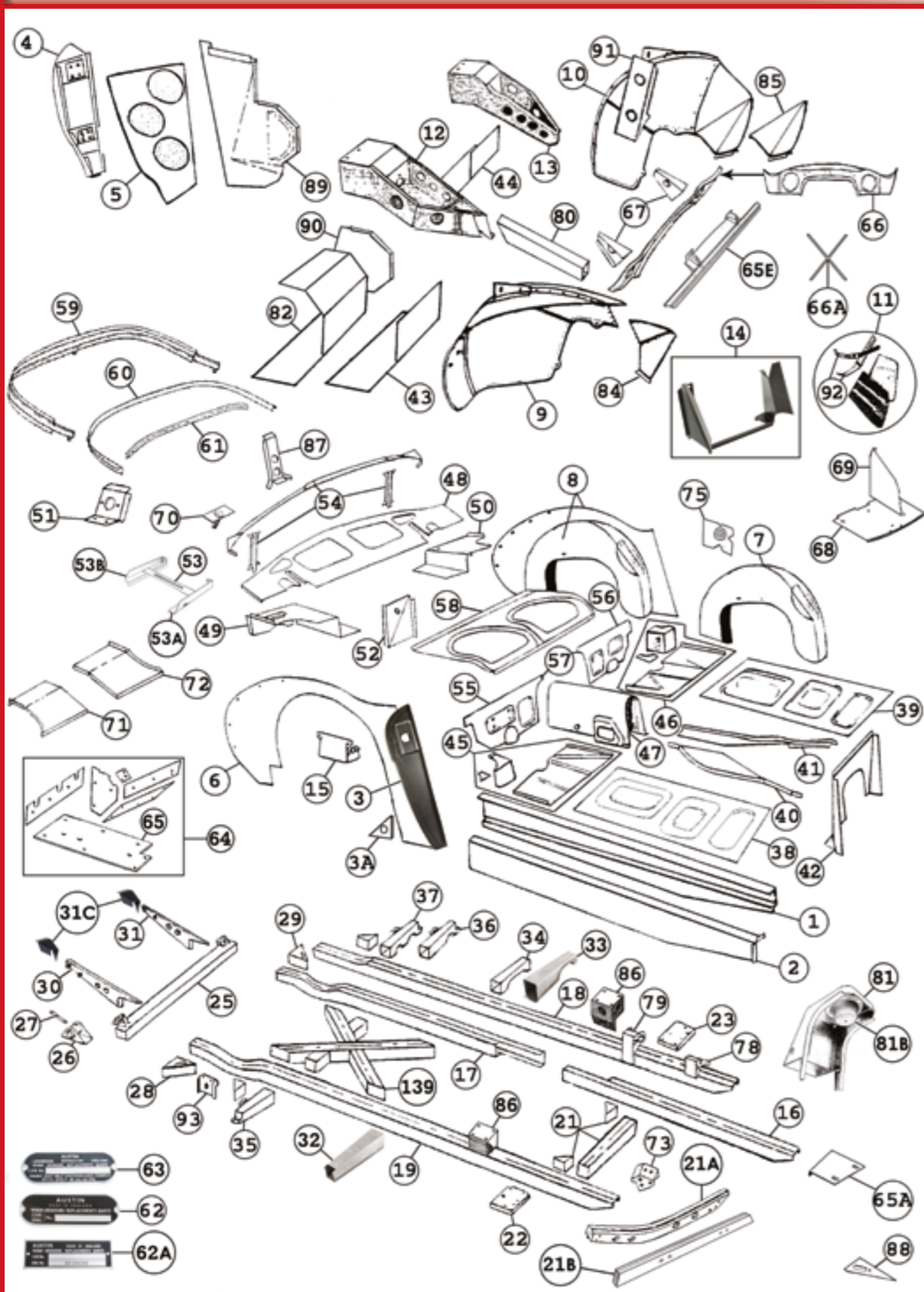
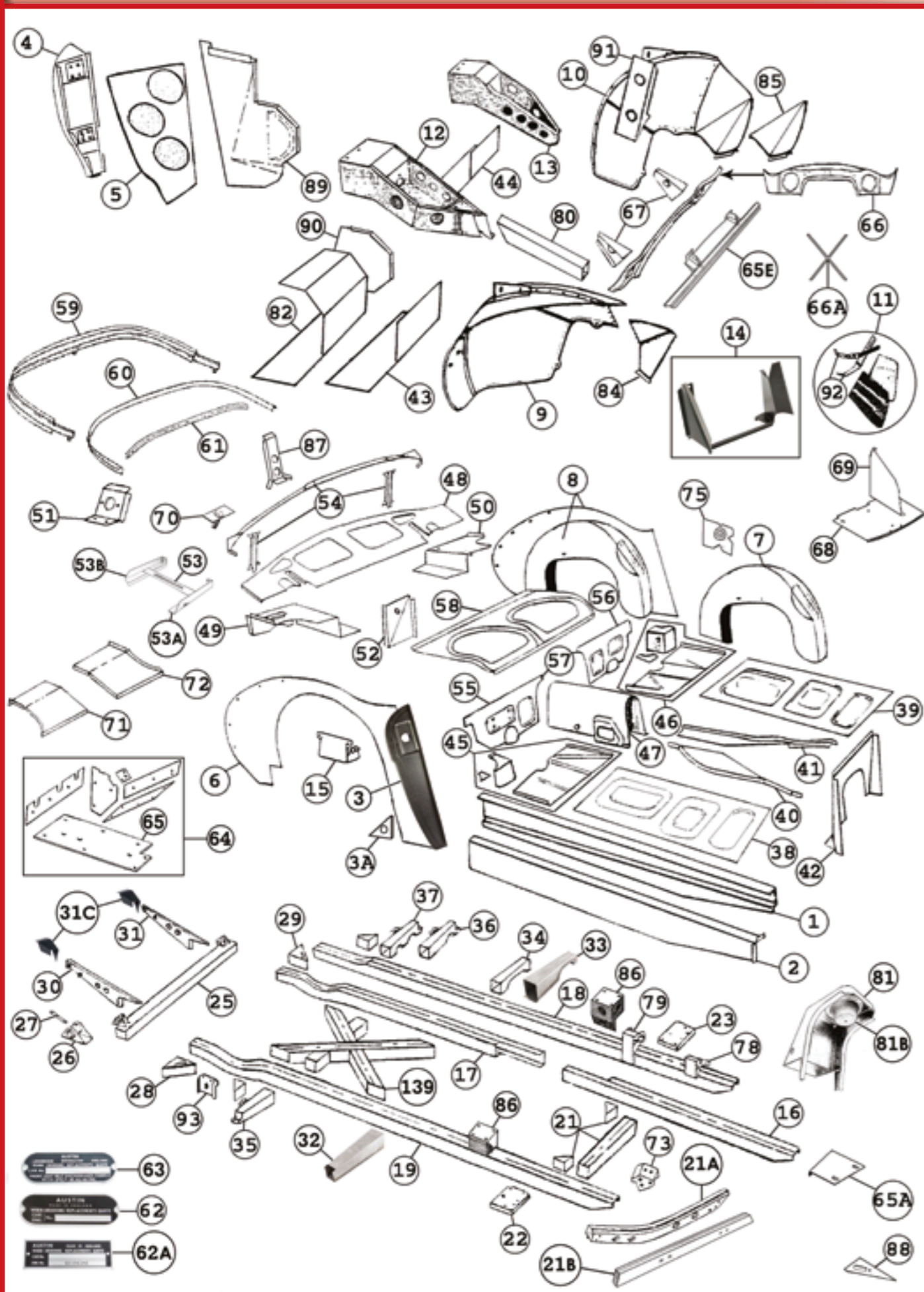


INNER BODY PANELS - 1



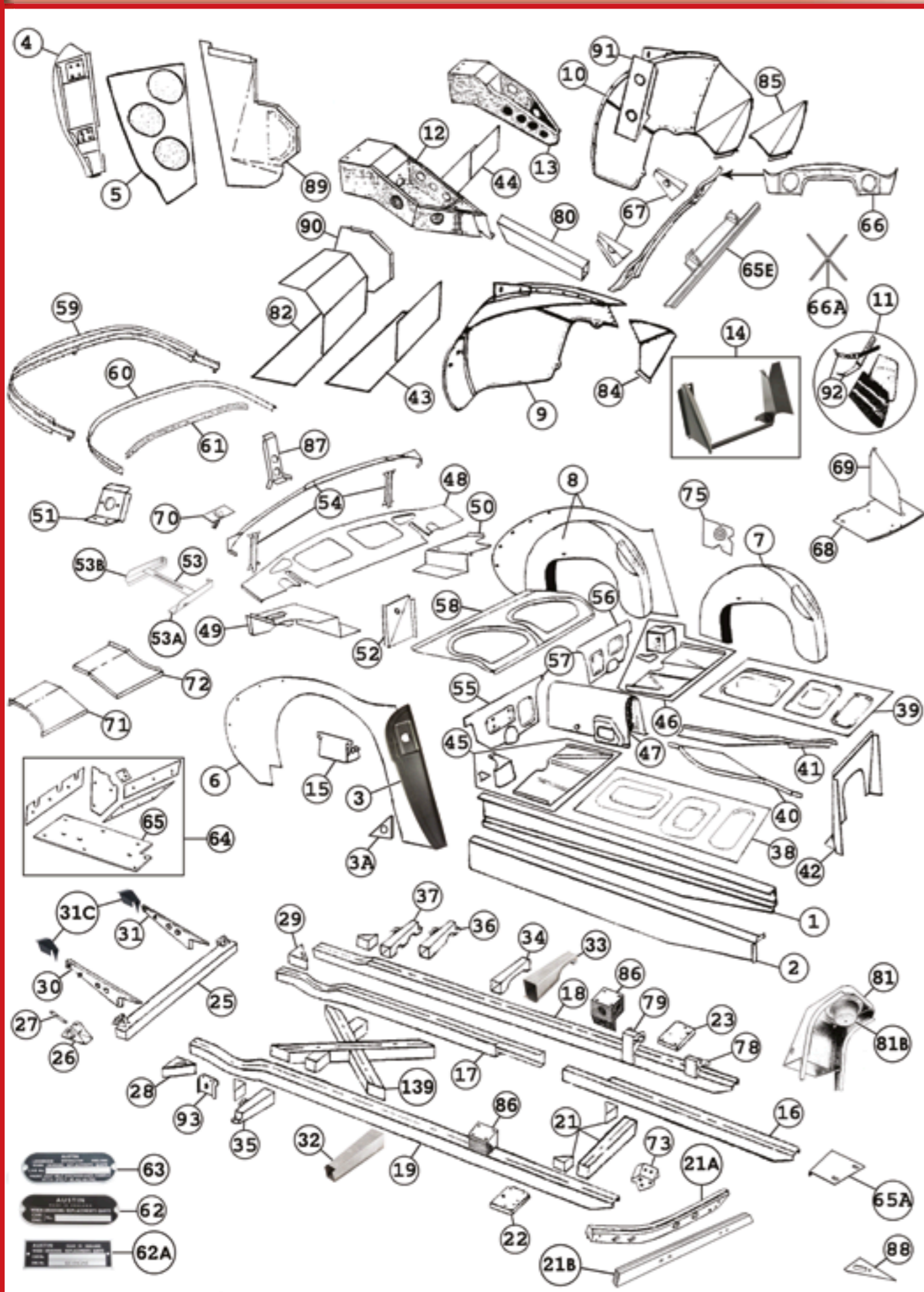
No.	Part No.	Description	Application	Notes	Price ex VAT
1	IBP101	INNER SILL PANEL-R/H	BN1-BJ8	1.2MM STEEL	£14.25
1	IBP101C	INNER SILL PANEL-R/H-UPRATED	BN1-BJ8	USE.COM300	-
1	IBP102	INNER SILL PANEL-L/H	BN1-BJ8	1.2MM STEEL	£14.25
1	IBP102C	INNER SILL PANEL-L/H-UPRATED	BN1-BJ8	USE.COM301	-
2	IBP103	INTERMEDIATE SILL PANEL-R/H	BN1-BJ8	1.2MM STEEL	£14.25
2	IBP103C	INTERMEDIATE SILL-R/H-UPRATED	BN1-BJ8	USE.COM302	-
2	IBP104	INTERMEDIATE SILL PANEL-L/H	BN1-BJ8	1.2MM STEEL	£14.25
2	IBP104C	INTERMEDIATE SILL-L/H-UPRATED	BN1-BJ8	USE.COM303	-
3	IBP105	DOOR SHUT PANEL-R/H	BN1-BN2	WITH ORIGINAL PRESSINGS	£21.95
3	IBP106	DOOR SHUT PANEL-L/H	BN1-BN2	WITH ORIGINAL PRESSINGS	£21.95
3	IBP107	DOOR SHUT PANEL-R/H	BN4-BT7	WITH ORIGINAL PRESSINGS	£23.95
3	IBP108	DOOR SHUT PANEL-L/H	BN4-BT7	WITH ORIGINAL PRESSINGS	£23.95
3	IBP109	DOOR SHUT PANEL-R/H	BJ7-BJ8	WITH ORIGINAL PRESSINGS	£23.95
3	IBP110	DOOR SHUT PANEL-L/H	BJ7-BJ8	WITH ORIGINAL PRESSINGS	£23.95
3A	IBP111	GUSSET-pillar to sill-R/H	BN1-BJ8		£3.95
3A	IBP112	GUSSET-pillar to sill-L/H	BN1-BJ8		£3.95
4	IBP114	HINGE PANEL-R/H	BN1(B.5001 ON)-BN2	COMPLETE	£58.50
4	IBP114C	COVER-HINGE PANEL-R/H	BN1(B.5001 ON)-BN2	COVER ONLY	£34.50
4	IBP115	HINGE PANEL-L/H	BN1(B.5001 ON)-BN2	COMPLETE	£58.50
4	IBP115C	COVER-HINGE PANEL-L/H	BN1(B.5001 ON)-BN2	COVER ONLY	£34.50
4	IBP116	HINGE PANEL-R/H	BN4-BT7		£66.50
4	IBP116C	COVER HINGE PANEL-R/H	BN4-BT7	COVER ONLY	£34.50
4	IBP117	HINGE PANEL-L/H	BN4-BT7		£66.50
4	IBP117C	COVER HINGE PANEL-L/H	BN4-BT7	COVER ONLY	£34.50
4	IBP118	HINGE PANEL-R/H	BJ7-BJ8	COMPLETE	£72.50
4	IBP118C	COVER-HINGE PANEL-R/H	BJ7-BJ8	COVER ONLY	£38.50
4	IBP119	HINGE PANEL-L/H	BJ7-BJ8	COMPLETE	£72.50
5	IBP119A	REINF'G PANEL-hinge pillar,R/H	BN1-BN1(B.5000)		£32.50
5	IBP119B	REINF'G PANEL-hinge pillar,L/H	BN1-BN1(B.5000)		£32.50
4	IBP119C	COVER-HINGE PANEL-L/H	BJ7-BJ8	COVER ONLY	£38.50
5	IBP120	REINF'G PANEL-hinge pillar,R/H	BN1(B.5001)-BT7		£33.50
5	IBP121	REINF'G PANEL-hinge pillar,L/H	BN1(B.5001)-BT7		£33.50
5	IBP122	REINF'G PANEL-hinge pillar,R/H	BJ7-BJ8		£33.50
5	IBP123	REINF'G PANEL-hinge pillar,L/H	BJ7-BJ8		£33.50
6	IBP130	REAR INNER WING-R/H	BN1-BN2	USE.IBP132	-
6	IBP131	REAR INNER WING-L/H	BN1-BN2	USE.IBP133	-
6	IBP132	REAR INNER WING-R/H	BN4-BJ8		£59.50
6	IBP133	REAR INNER WING-L/H	BN4-BJ8		£59.50
7	IBP134	REAR WHEEL ARCH-R/H	BN1-BN2		£245.00
7	IBP135	REAR WHEEL ARCH-L/H	BN1-BN2		£245.00
7	IBP136	REAR WHEEL ARCH-R/H	BN4-BJ8		£245.00
7	IBP137	REAR WHEEL ARCH-L/H	BN4-BJ8		£245.00
8	IBP138	REAR INNER WING WITH ARCH-R/H	BN1-BJ8		£325.00
8	IBP139	REAR INNER WING WITH ARCH-L/H	BN1-BJ8		£325.00
9	IBP144	FRONT WHEEL ARCH-R/H	BN1-BN2		£258.50
10	IBP145	FRONT WHEEL ARCH-L/H	BN1-BN2		£258.50
9	IBP146	FRONT WHEEL ARCH-R/H	BN4-BJ8		£258.50
10	IBP147	F/WHEEL ARCH-LH W/O HOLES.	BN4-BJ8		£258.50

INNER BODY PANELS - 1



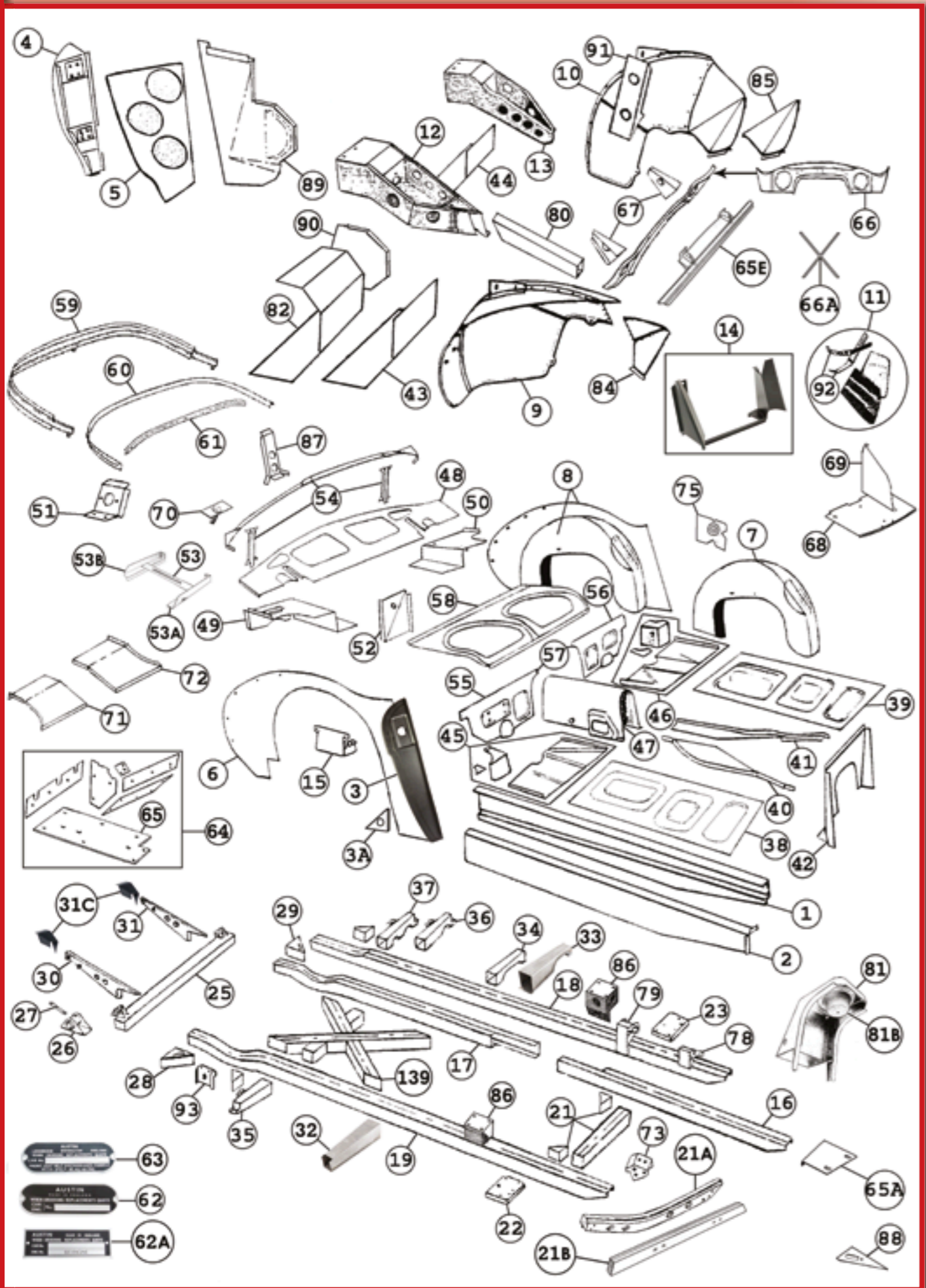
No.	Part No.	Description	Application	Notes	Price ex VAT
11	IBP150	SPLASH SHIELDS-ft.wheelarch pr	BN4-BJ8	INC STAYS	£42.50
12	IBP151	BOX-pedal accommodation-R/H	BN4-BJ8	SOLD UNASSEMBLED	£82.50
13	IBP152	BOX-pedal accommodation-L/H	BN4-BJ7	SOLD UNASSEMBLED	£82.50
13	IBP152A	BOX-pedal accommodation-L/H	BJ8	SOLD UNASSEMBLED	£82.50
14	IBP154	AIR INTAKE DEFLECTOR ASSY-rad.	BN4-BT7	HORIZONTAL GRILLE	£33.50
14	IBP155	AIR INTAKE DEFLECTOR ASSY-rad.	BT7-BJ8	VERTICAL GRILLE	£33.50
15	IBP160	BUMP STOP BOX	BN1-BN1.221535		£15.95
15	IBP161	BUMP STOP BOX	BN1.221536-BJ8.26704		£10.65
15	IBP162	BUMP STOP BOX	BJ8.26705 ON		£10.65
16	IBP162A	MAIN CHASSIS RAIL-frnt half-RH	BN1-BN2	INC CLUTCH TUBE+PIVOT	£301.00
16	IBP163	MAIN CHASSIS RAIL-frnt half-RH	BN4-BJ8		£275.00
16	IBP163A	MAIN CHASSIS RAIL-frnt half-LH	BN1-BN2	INC CLUTCH TUBE+PIVOT	£301.00
16	IBP164	MAIN CHASSIS RAIL-frnt half-LH	BN4-BJ8		£275.00
17	IBP164C	MAIN CHASSIS RAIL-rear half-RH	BJ8.26705 ON		£485.00
17	IBP164D	MAIN CHASSIS RAIL-rear half-LH	BJ8.26705 ON		£485.00
18	IBP165	MAIN CHASSIS RAIL-full length R/H	BN1-BN2	R/H	£695.00
18	IBP165A	MAIN CHASSIS RAIL-full length L/H	BN1-BN2	L/H	£695.00
18	IBP165B	MAIN CHASSIS RAIL-full length R/H	BN4-BJ8.26704	R/H	£695.00
18	IBP165C	MAIN CHASSIS RAIL-full length L/H	BN4-BJ8.26704	L/H	£695.00
19	IBP165D	MAIN CHASSIS RAIL-full lgth.RH	BJ8.26705 ON	R/H	£695.00
19	IBP165E	MAIN CHASSIS RAIL-full lgth.LH	BJ8.26705 ON	L/H	£695.00
21	IBP167	FRONT CROSS MEMBER	BN1-BJ8		£47.50
21A	IBP167A	FRONT YOKE	BN4-BJ8		£79.95
21B	IBP167B	CROSS MEMBER-UPPER (FRONT)	BN1-BN2		£59.95
22	IBP168	MOUNTING PLATE-ft.s/abs.R/H	BN1-BJ8		£28.50
23	IBP169	MOUNTING PLATE-ft.s/abs.L/H	BN1-BJ8		£28.50
25	IBP170	REAR CROSS MEMBER+sprng.hangers	BN1-BN2		£95.00
25	IBP171	REAR CROSS MEMBER+sprng.hangers	BN4-BJ8.26704		£95.00
25	IBP172	REAR CROSS MEMBER+sprng.hangers	BJ8.26705 ON		£85.00
26	IBP173	SPRING HANGER	BN1-BJ7	INC BUSHES	£17.95
26	IBP174	SPRING HANGER	BJ8		£13.95
27	IBP174A	GREASE NIPPLE-spring hanger	BN1-BJ8.26704		£2.85
28	IBP175	GUSSET-rear cross member,R/H	BN1-BJ8		£11.95
29	IBP176	GUSSET-rear cross member,L/H	BN1-BJ7		£11.95
29	IBP177	GUSSET-rear cross member,L/H	BJ8		£14.95
30	IBP177A	REAR CHASSIS EXTENSION-R/H	BN1-BN2		£29.95
31	IBP177B	REAR CHASSIS EXTENSION-L/H	BN1-BN2		£29.95
30	IBP178	REAR CHASSIS EXTENSION-R/H	BN4-BJ8		£32.00
31	IBP179	REAR CHASSIS EXTENSION-L/H	BN4-BJ8		£32.00
31C	IBP179C	BRACKET - chassis ext to rear skirt-RH	BN1-BN2		£4.65
31C	IBP179D	BRACKET - chassis ext to rear skirt-LH	BN1-BN2		£4.65
32	IBP180	OUTRIGGER-front,R/H	BN1-BJ8		£24.00
33	IBP181	OUTRIGGER-front,L/H	BN1-BJ7		£32.95
34	IBP182	OUTRIGGER-front,L/H	BJ8		£32.95
35	IBP183	OUTRIGGER-rear,R/H	BN1-BJ8		£59.50
36	IBP184	OUTRIGGER-rear,L/H	BN1-BJ7		£59.50
37	IBP185	OUTRIGGER-rear,L/H	BJ8		£59.50
38	IBP185A	MAIN FLOOR-R/H	EARLY BN1	1.2MM STEEL	£34.50
38	IBP186	MAIN FLOOR-R/H	BN4-BJ8	1.2MM STEEL	£22.50

INNER BODY PANELS - 1

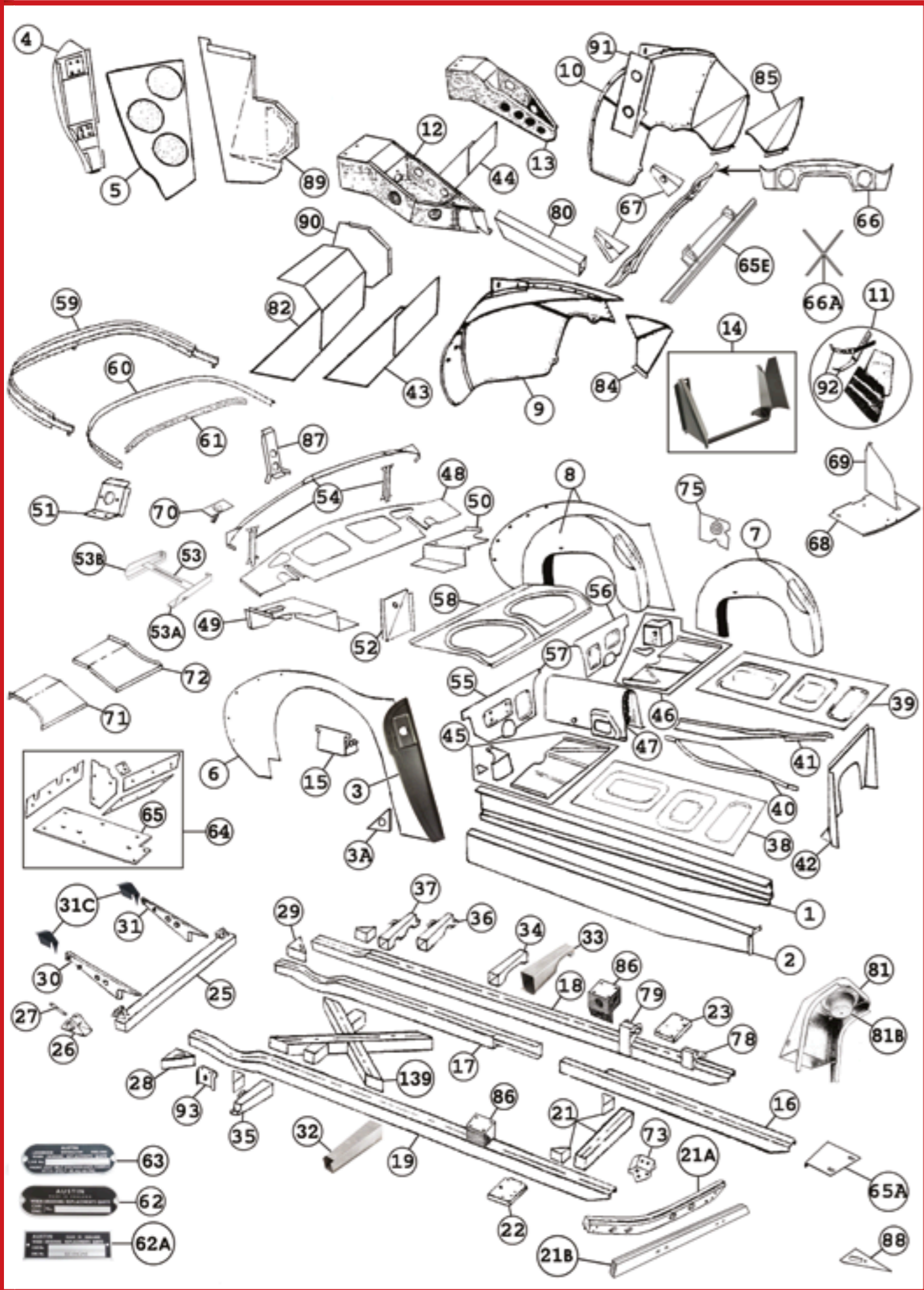


No.	Part No.	Description	Application	Notes	Price ex VAT
39	IBP186A	MAIN FLOOR-L/H	EARLY BN1	1.2MM STEEL	£34.50
39	IBP187	MAIN FLOOR-L/H	BN4-BJ8	1.2MM STEEL	£22.50
40	IBP187A	PANEL-flange to gearbox-R/H	LATE BT7-BJ8		£34.25
41	IBP187B	PANEL-flange to gearbox-L/H	LATE BT7-BJ8		£34.25
42	IBP187C	GEARBOX COVER REINFORCEMENT PANEL	BN4-BT7	SIDE CHANGE	£59.75
42	IBP187E	EXTENSION ASSY-gearbox cover	BN4-BT7	SIDE CHANGE	£59.75
42	IBP187F	EXTENSION ASSY-gearbox cover	BT7-BJ8	CENTRE CHANGE	£59.75
42	IBP187H	EXTENSION ASSY-gearbox cover	BN1	3 SPEED	£59.75
42	IBP187I	EXTENSION ASSY-gearbox cover	BN2		£59.75
43	IBP187J	FRONT FLOOR SECTION-R/H	BN1-BN2	INC PRESSINGS	£25.50
43	IBP188	FRONT FLOOR SECTION-R/H	BN4-BJ8		£16.95
44	IBP188A	FRONT FLOOR SECTION-L/H	BN1-BN2	INC PRESSINGS	£25.50
44	IBP189	FRONT FLOOR SECTION-L/H	BN4-BJ8		£16.95
45	IBP189A	REAR FLOOR-R/H	BN1-BN2		£9.95
46	IBP189B	REAR FLOOR-L/H	BN1-BN2		£9.95
45	IBP190	REAR FLOOR-R/H	BN4,BT7,BJ7-BJ8.2670		£23.95
46	IBP191	REAR FLOOR-L/H	BN4,BT7,BJ7-BJ8.2670		£23.95
45	IBP192	REAR FLOOR(inc.rad.arm box)R/H	BJ8.26705 ON		£47.95
46	IBP193	REAR FLOOR(inc.rad.arm box)L/H	BJ8.26705 ON		£47.95
47	IBP193A	TRANSMISSION TUNNEL-rear	BN1-BN2		£41.50
47	IBP194	TRANSMISSION TUNNEL-rear	BN4-BJ8	MODIFY FOR BN6/7	£41.50
48	IBP195	BOOT FLOOR	BN1-BN2		£33.95
48	IBP196	BOOT FLOOR	BN4-BJ8		£32.95
49	IBP197	BOX-boot floor,R/H	BN1-BN2		£39.95
50	IBP197A	BOX-boot floor,L/H	BN1-BN2		£39.95
49	IBP198	BOX-boot floor,R/H inc battery brkt	BN4-BJ8	INC BATTERY MOUNT BRKT	£39.50
50	IBP199	BOX-boot floor,L/H	BN4-BJ8		£35.50
51	IBP201	BATTERY SWITCH BRACKET	BN1-BJ8		£6.45
52	IBP202	BATTERY CABLE PANEL	BN1-BJ8		£16.95
53	IBP204	BATTERY BASE SUPPORT BRACKET	BN4,BT7,BJ7&BJ8		£4.95
53A	IBP204A	BATTERY MOUNT BRACKET-rear	BN4,BT7,BJ7&BJ8		£12.50
53B	IBP204B	BATTERY MOUNT BRACKET-front	BN4,BT7,BJ7&BJ8		£12.50
54	IBP205	REAR SKIRT RAIL ASSY	BN1-BJ8		£42.50
55	IBP210	REAR HEEL BOARD-R/H	BN4,BT7,BJ7-BJ8.2670		£34.50
56	IBP211	REAR HEEL BOARD-L/H	BN4,BT7,BJ7-BJ8.2670		£34.50
55	IBP212	REAR HEEL BOARD-R/H	BJ8.26705 ON		£36.95
56	IBP213	REAR HEEL BOARD-L/H	BJ8.26705 ON		£36.95
57	IBP213A	REAR HEEL BOARD-full width	BN1-BN2		£59.95
57	IBP214	REAR HEEL BOARD-full width	BN4,BT7,BJ7-BJ8.2670		£59.95
57	IBP215	REAR HEEL BOARD-full width	BJ8.26705 ON		£79.95
58	IBP220	REAR SEAT SURROUND PANEL	BN4,BT7,BJ7&BJ8		£109.50
59	IBP225	HOOD DRAIN CHANNEL	BJ7-BJ8		£185.00
60	IBP226	RAIL TRIM-hood-rear	BJ7-BJ8		£26.95
61	IBP227	RAIL TRIM-upper	BJ7(B)59372-BJ8		£15.50
62	IBP229	CHASSIS IDENTIFICATION PLATE	BN1-EARLY 1953-1954	WHITE PLASTIC	£29.75
62	IBP230	CHASSIS IDENTIFICATION PLATE	BN1-BN4		£5.95
62A	IBP231	CHASSIS IDENTIFICATION PLATE	BN6-BJ8		£8.25
63	IBP232	CHASSIS IDENTIFICATION PLATE	V.LATE BJ8		£7.50

INNER BODY PANELS - 1



No.	Part No.	Description	Application	Notes	Price ex VAT
64	IBP234	HEAT SHIELD KIT-R.H.D	BN1-BN2		£74.50
64	IBP235	HEAT SHIELD KIT-L.H.D	BN1-BN2		£74.50
64	IBP236	HEAT SHIELD KIT	BN4-BJ7		£78.50
64	IBP237	HEAT SHIELD KIT	BJ8		£72.50
65	IBP239	HEAT SHIELD-under floor	BN1-BN2		£25.50
65	IBP240	HEAT SHIELD-under floor	BN4-BJ8		£25.50
65A	IBP242	BRACKET-R/H-chassis to shroud	BN1-BN2		£3.95
65A	IBP243	BRACKET-L/H-chassis to shroud	BN1-BN2		£3.95
65A	IBP244	BRACKET-R/H-chassis to shroud	BN4-BJ8		£3.95
65A	IBP245	BRACKET-L/H-chassis to shroud	BN4-BJ8		£3.95
65E	IBP249	BONNET HINGE & CROSS BRACE ASSY	BN1-BN2	INC BONNET HINGE BLOCKS	£86.75
66	IBP250	CROSS BRACE PANEL	BN4-BJ8		£53.50
66A	IBP250A	CROSSBRACE ASSY	BN4-BJ8		£32.50
66A	IBP250B	CROSSBRACE ASSY	BN1-BN2	2 REQ	£46.50
67	IBP251	BRACKETS-radiator support-PAIR	BN4-BJ8		£31.50
68	IBP252	APRON PANEL - behind grille	BN1-BN2		£30.95
69	IBP253	DIVISION PANEL- rad to grille	BN1-BN2		£36.50
70	IBP255	STUD-exhaust mtg-boot floor	BJ8		£2.50
71	IBP258	REAR DECK PANEL-R/H	BN1-BN2		£26.50
72	IBP259	REAR DECK PANEL-L/H	BN1-BN2		£26.50
73	IBP260	MOUNTING-steering box	BN1-BJ8		£32.50
75	IBP262	STIFFENER-radius arm-R/H	BJ8.26705 ON		£15.85
75	IBP263	STIFFENER-radius arm-L/H	BJ8.26705 ON		£15.85
78	IBP264	MOUNTING-WISHBONE-front-r/h	BN1-BN2		£19.75
78	IBP265	MOUNTING-WISHBONE-front-l/h	BN1-BN2		£19.75
78	IBP266	MOUNTING-WISHBONE-front-r/h	BN4-BJ8		£19.75
78	IBP267	MOUNTING-WISHBONE-front-l/h	BN4-BJ8		£19.75
79	IBP268	MOUNTING-WISHBONE-rear-r/h	BN1-BJ8		£19.75
79	IBP269	MOUNTING-WISHBONE-rear-l/h	BN1-BJ8		£19.75
80	IBP269D	BULKHEAD SUPPORT ASSY-R/H	BN1-BN2	3 PARTS	£53.50
80	IBP269E	BULKHEAD SUPPORT ASSY-L/H	BN1-BN2	3 PARTS	£53.50
80	IBP270	STRUT-R/H-engine bearer	BN1-BJ8		£24.50
80	IBP270L	STRUT-L/H-engine bearer	BN1-BN2		£24.50
80	IBP271	STRUT-L/H-engine bearer	BN4-BJ8		£24.50
81	IBP271A	HOUSING-front suspension	BN1-BN2	BARE	£115.50
81	IBP271C	HOUSING-front suspension-complete	BN1_BN2	COMPLETE	£197.50
81	IBP272	HOUSING-front suspension	BN4-BJ8	BARE	£115.50
81	IBP272A	HOUSING-front suspension-complete	BN4-BJ8	COMPLETE	£197.50
81B	IBP272C	SPRING CONE-front susp housing	BN4-BJ8		£35.50
82	IBP273	FULL FOOTWELL FLOOR-R/H	BN1-BJ8		£38.95
82	IBP274	FULL FOOTWELL FLOOR-L/H	BN1-BJ8		£38.95
84	IBP275	EXTENSION-front wheel arch-R/H	BN1-BJ8		£19.50
85	IBP276	EXTENSION-front wheel arch-L/H	BN1-BJ8		£19.50
86	IBP277	PLATFORM-engine mounting	BN4-BJ8		£31.50
87	IBP278	STRUT-boot catch	BN1-BJ8		£14.50
88	IBP279	GUSSET-steering bracket	BN4-BJ8		£8.95
88	IBP279A	GUSSET-steering bracket-RH	BN1&100S		£8.95
88	IBP279B	GUSSET-steering bracket-LH	BN1&100S		£8.95



No.	Part No.	Description	Application	Notes	Price ex VAT
89	IBP280	SIDE PANEL-outer footwell-R/H	BN1-BJ8		£65.00
89	IBP281	SIDE PANEL-outer footwell-L/H	BN1-BJ8		£65.00
90	IBP281A	SIDE PANEL-inner footwell-R/H	BN1-BJ8		£21.50
90	IBP281B	SIDE PANEL-inner footwell-L/H	BN1-BJ8		£21.50
91	IBP282	SHROUD SUPPORT-R/H	BN4-BJ8		£10.75
91	IBP283	SHROUD SUPPORT-L/H	BN4-BJ8		£10.75



Precision Panels in Aluminium & Steel

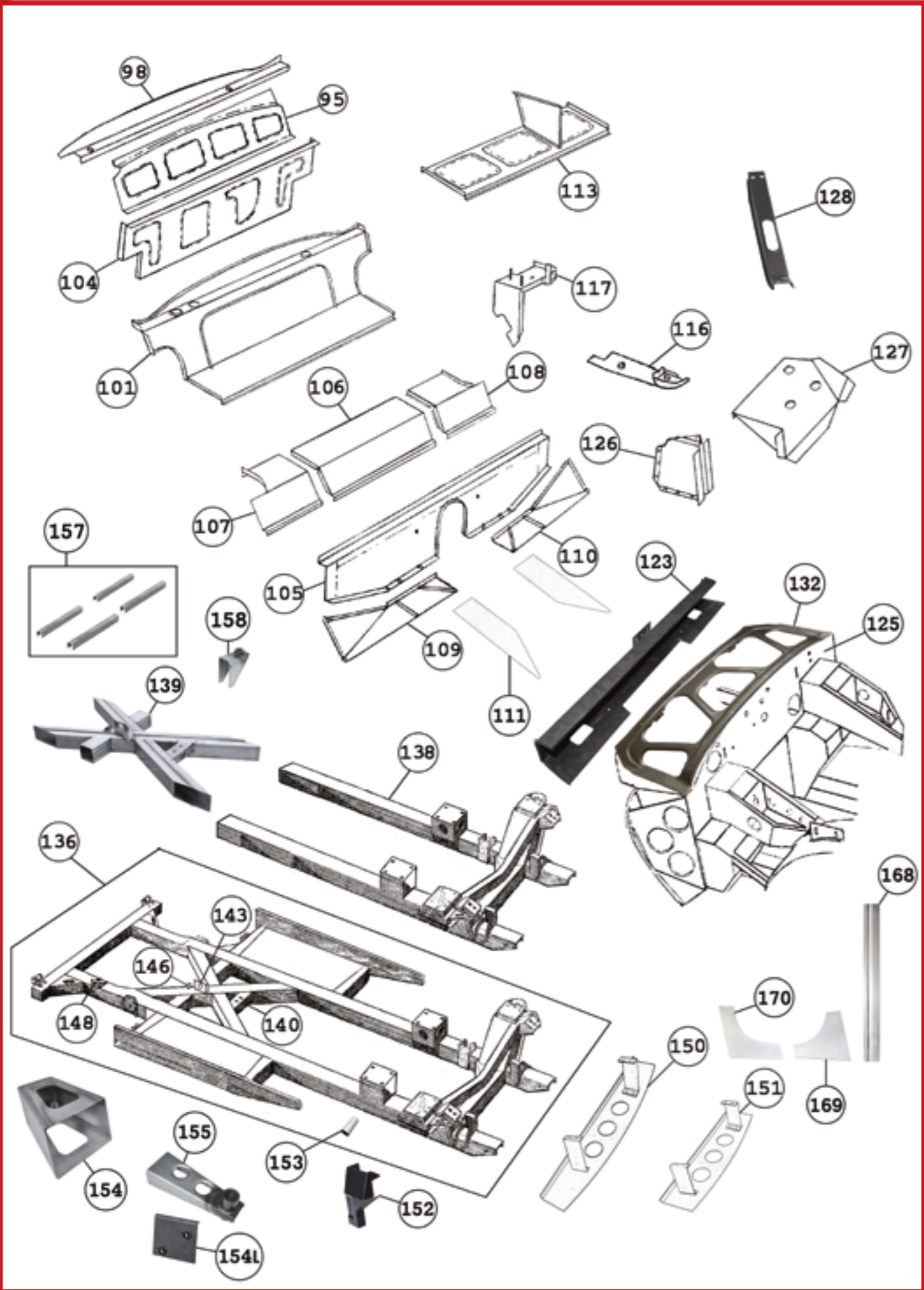
As a company that has been involved with Austin Healey's since 1972, we have acquired a considerable amount of knowledge regarding the difficulties involved in sourcing sheet metal products.

It was because of this that we established A.H. Panels several years ago to ensure that the sheet metal we sell was of sufficient high quality and consistency.

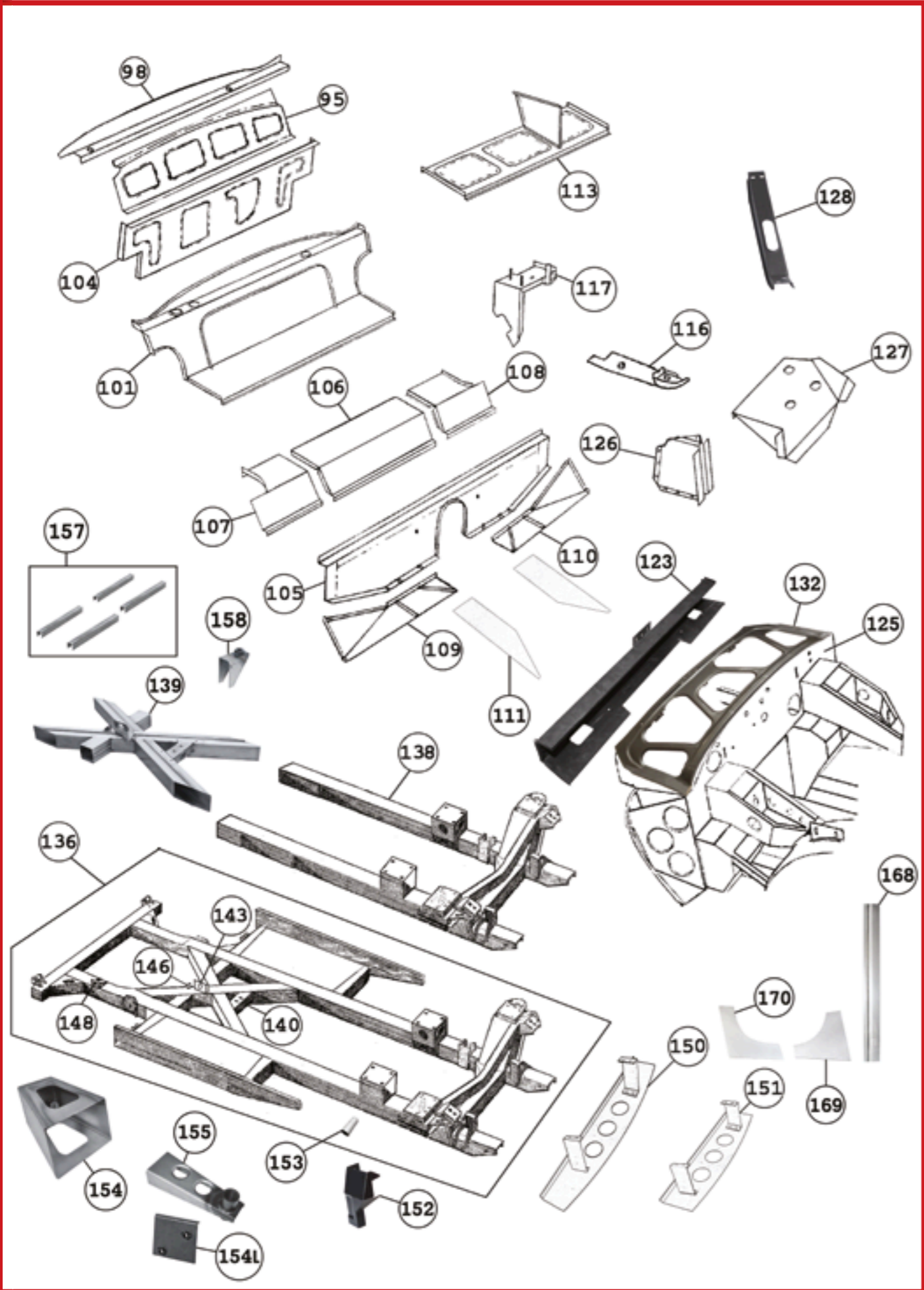
During the last few years we have invested a considerable amount of money in new tooling to ensure that the products we make are of the highest quality and fit.

We are the only company in the world who are capable of reproducing complete items such as the GRL111 grille surround, GRL116 & 117 top cowls and wings.





No.	Part No.	Description	Application	Notes	Price ex VAT
92	IBP284	BRACKETS-splash shields-pr	BN1-BJ8		£8.25
93	IBP285	PLATE-R/H-mounting rear shock	BN1-BJ8.26704		£39.00
93	IBP285A	PLATE-L/H-mounting rear shock	BN4-BJ8.26704		£39.00
93	IBP286	PLATE-R/H-mounting rear shock	BJ8.26705 ON		£37.50
93	IBP286A	PLATE-L/H-mounting rear shock	BJ8.26705 ON		£37.50
95	IBP290	BACK PANEL-rear seats	BT7-BJ8	4 SEATER CARS	£58.50
98	IBP292	TOP RAIL-seat back panel	BT7-BJ8	4 SEATER CARS	£12.95
101	IBP295	REAR DECK PANEL	BN6/BN7	2 SEATER	£159.00
104	IBP297	BOOT REAR BULKHEAD	BN1-BN2		£52.00
104	IBP298	BOOT REAR BULKHEAD	BN4-BJ8		£52.00
105	IBP299	REAR HEEL BOARD	BN6/BN7	2 SEATER	£108.00
106	IBP299A	BATTERY COVER PANEL	BN1-BN2		£51.75
106	IBP300	BATTERY COVER PANEL	BN6&BN7	2 SEATER	£51.75
107	IBP301	REAR DECK PANEL-R/H	BN6&BN7		£24.95
108	IBP302	REAR DECK PANEL-L/H	BN6&BN7		£24.95
109	IBP303	REAR FLOOR-R/H	BN6&BN7	2 SEATER	£19.25
110	IBP304	REAR FLOOR-L/H	BN6&BN7	2 SEATER	£19.25
111	IBP305	REAR FLOOR to rear transmission tunnel	BN1-BN2	NOT HANDED	£7.50
113	IBP307	REAR DECK-boot floor assy	BN1-BN2	2 PIECES	£59.75
116	IBP310	HOOD MOUNT PANEL-R/H	BN4(LATE) - BT7		£42.50
116	IBP311	HOOD MOUNT PANEL-L/H	BN4(LATE) - BT7		£42.50
117	IBP312	HOOD MOUNT PANEL-R/H	BJ7-BJ8		£47.95
117	IBP313	HOOD MOUNT PANEL-L/H	BJ7-BJ8		£47.95
123	IBP320	FRESH AIR BOX - rear of firewall panel	BN1-BN2		£78.50
125	IBP322	FIREWALL PANEL	BN1-BN2	INC CAP NUTS	£59.50
125	IBP323	FIREWALL PANEL	BN4-BT7MK1	INC CAP NUTS	£59.50
125	IBP324	FIREWALL PANEL	BT7MK2-BJ8	INC CAP NUTS	£59.50
126	IBP325	BONNET HINGE BOX	BN4-BJ8		£14.50
127	IBP326	MOUNTING PLATE-wiper motor	BN4-BJ8		£16.75
128	IBP327	STEERING COLUMN SUPPORT BRACKET	BN4-BJ8		£68.50
132	IBP340	FRONT SCUTTLE INNER TOP PANEL	BN1-BN2		£450.00
132	IBP341	FRONT SCUTTLE INNER TOP PANEL	BN4-BT7		£450.00



No.	Part No.	Description	Application	Notes	Price ex VAT
136	IBP405	CHASSIS - complete	BN1-BN2		£6,950.00
136	IBP410	CHASSIS - complete	BN4-BJ8(EARLY)		£6,950.00
136	IBP415	CHASSIS - complete	BJ8(LATE)		£6,950.00
138	IBP420	FRONT CHASSIS SECTION	BN4-BJ8		£3,025.00
139	IBP425	CENTRE CROSS BRACE ASSEMBLY	BN1	INC ALL BRKS 2MM STEEL	£560.00
139	IBP426	CENTRE CROSS BRACE ASSEMBLY	BN2	INC ALL BRKS 2MM STEEL	£560.00
139	IBP427	CENTRE CROSS BRACE ASSEMBLY	BN4-BJ8	INC ALL BRKS 2MM STEEL	£560.00
140	IBP440	GEARBOX MOUNTING BRKT	BN2-BJ8		£24.50
143	IBP445	HAND BRAKE LEVER MOUNTING	BN4-BJ8		£19.95
146	IBP447	HAND BRAKE CABLE BRACKETS	BN4-BJ8		£11.95
148	IBP450	PANHARD ROD MOUNT	BN1-BJ8		£16.45
150	IBP452	MOUNTING ASSY-oil cooler	A/R	REPLACES SHROUD BRKTS	£36.95
151	IBP453	MOUNTING ASSY-oil cooler	A/R	CENTRE MOUNT	£36.95
152	IBP454	PLATFORM-engine mounting-RH	BN1-BN2		£99.50
152	IBP454L	PLATFORM-engine mounting-LH	BN1-BN2		£99.50
153	IBP455	CLUTCH SHAFT TUBE-MAIN RAIL	BN1-BN2		£11.95
154	IBP456	BRAKE CYLINDER MOUNT-RHD	BN1-BN2	RHD CARS	£75.00
154L	IBP456L	BRAKE CYLINDER MOUNT-LHD	BN1-BN2	LHD CARS	£8.95
155	IBP457	CLUTCH SHAFT MOUNT	BN1-BN2		£34.00
157	IBP459	BRACKET SET-battery (4 pieces)	BN1-BN2	SOLD AS A SET	£21.50
158	IBP460	BATTERY TRAY MOUNT	BN1-BN2		£9.95
168	IBP470	EXTENSION PLATE - furlflex mounting	LATE BN4-BJ8		£6.50
169	IBP471	FURFLEX CORNER MOUNT PLATE - front	LATE BN4-BJ8		£3.65
170	IBP472	FURFLEX CORNER MOUNT PLATE - rear	LATE BN4-BJ8		£3.65



AH PANELS

Precision Panels in Aluminium & Steel

Austin Healeys are now over 40 years old and the chassis box sections will probably be rusting from the inside, making the steel thinner and resulting in a weak chassis.

This weakness can cause poor panel fit and the common faults of scuttle shake and body flexing.

So what makes our chassis' the Ultimate?

- » Chassis legs are pressed into one piece as originals.
- » Over two years in development.
- » All main members increased in thickness to 2mm.
- » Original factory dimensions using computerised laser cut and pressed sections.
- » Supplied using MK3 type outriggers for increased exhaust clearance but can be the original pattern if preferred.
- » Includes inner sills and main floor pans.