

No.	Part No.	Description	Application	Notes	Price ex VAT
1	GBC101	GASKET SET	BT7-BJ8		£9.95
2	GBC102	GAITER-gear lever	BT7-BJ8		£6.95
3	GBC103	KNOB-gear lever	BT7-BJ8	USE.GBS103	-
4	GBC103A	LOCKNUT-g/lever knob	BT7-BJ8	USE.GBS103A	-
4	GBC103C	CHROME LOCKNUT - g/lever knob	BT7-BJ8	USE.GBS103C	-
5	GBC104	BUSH-gear lever	BT7-BJ8	USE.GBS104	-
5	GBC105	BUSH-gear lever	BJ8		£2.95
6	GBC106	CIRCLIP-gear lever retaining	BT7-BJ8		£4.95
7	GBC107	WASHER-RETAINING-g/l spring	BT7-BJ8		£2.70
8	GBC108	SPRING-gear lever retaining	BT7-BJ8		£4.95
9	GBC108A	GEAR LEVER - CHROME	BT7-BJ7	CHROME	£89.50
9	GBC109	GEAR LEVER - CHROME	BJ8	CHROME	£89.50
12	GBC112	OIL SEAL-selector shaft	BT7-BJ8		£2.35
14	GBC114	SPRING-selector	BT7-BJ8	USE.GBS114	-
15	GBC115	BALL-selector	BT7-BJ8	USE.GBS115	-
18	GBC121	MAINSHAFT-overdrive	BT7-BJ7	USE.GBS121	-
18	GBC122	MAINSHAFT-overdrive	BJ8		£355.00
19	GBC124	FIRST GEAR-outer only	BT7-BJ7	USE.GBS124	-
20	GBC125	FIRST GEAR ASSY.	BT7-BJ8	USE.GBS125	-
21	GBC126	SPRING-selector hub	BT7-BJ8	USE.GBS126	-
22	GBC127	BALL-selector hub	BT7-BJ8	USE.GBS127	-
24	GBC129	SPRING-gear plunger	BT7-BJ8	USE.GBS129	-
25	GBC130	BAULK RING-2nd gear	BT7-BJ7	USE.GBS130	-
25	GBC131	BAULK RING-2nd.gear	BJ8		£29.95
27	GBC133	THRUST WASHER-2nd.gear	BT7-BJ8	USE.GBS133	-
28	GBC134	NEEDLE ROLLER-2nd.&3rd.gear	BT7-BJ8	USE.GBS134	-
33	GBC140	BAULK RING-3rd.&4th.gear	BT7-BJ7	USE.GBS140	-
33	GBC141	BAULK RING-3rd.&4th.gear	BJ8		£34.50



GBC131 & GBC141

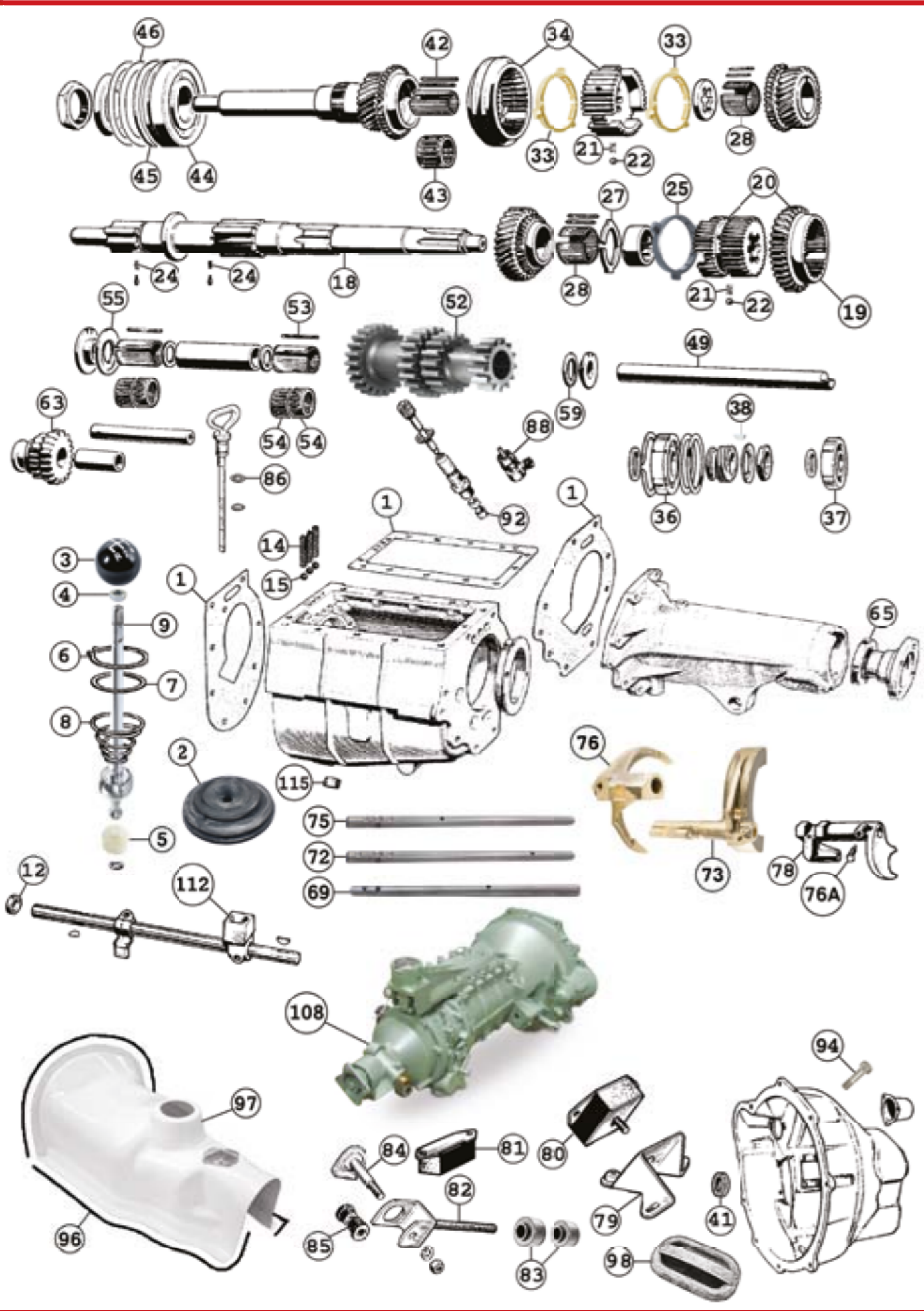
Our Synchronizer/Baulk rings are high precision components manufactured from our own tooling using the HOT DIE FORGING PROCESS.

The rough castings are machined by CNC machines to meet the required standards for taper I.D./ tooth pitch, tensile strength, hardness and machining accuracy.

They are also examined for quality at every stage of manufacture.

They have been tested to prove they will stand up to the most strenuous usage.

We have been working with Europe's leading Healey gearbox experts and also our new supplier, that specialises in synchro rings for all types of gearboxes, to ensure these products are of the highest quality.



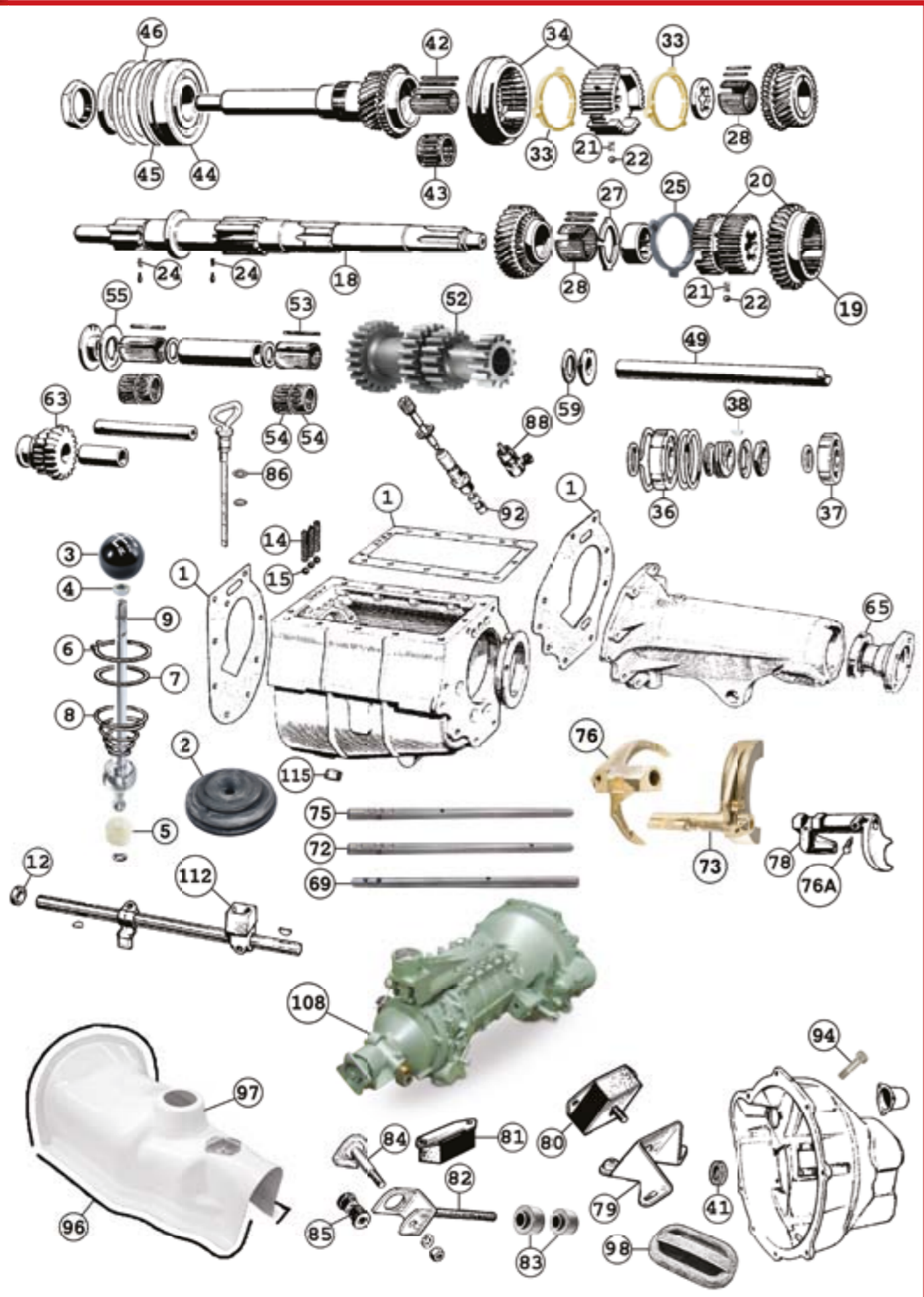
No.	Part No.	Description	Application	Notes	Price ex VAT
34	GBC142	SYNCHRO HUB-3rd.&4th.gear	BT7-BJ7	USE.GBS142	-
34	GBC143	SYNCHRO HUB-3rd.&4th.gear	BJ8		£205.00
36	GBC144	BEARING-rear mainshaft(o/d)	BT7-BJ8	USE.GBS144	-
37	GBC145	BEARING-rear extension-non o/d	BT7-BJ8	USE.GBS145	-
38	GBC146	WOODRUFF KEY SPEEDO DRIVE-non o/d	BT7-BJ8	USE.GBS146	-
41	GBC149	OIL SEAL-1st.motion shaft	BT7-BJ8	USE.GBS149	-
42	GBC150	NEEDLE ROLLER-1st.motion shaft	BT7-BJ7	USE.GBS150	-
43	GBC151	CAGED NEEDLE ROLLER-1st.m.shft	BJ8		£5.95
44	GBC152	BEARING-1st.motion shaft	BT7-BJ8	USE.GBS152	-
45	GBC153	CIRCLIP-bearing	BT7-BJ8	USE.GBS153	-
46	GBC154	SHIM-front bearing(0.002")	BJ7-BJ8	USE.GBS154	-
46	GBC155	SHIM-front bearing(0.005")	BJ7-BJ8	USE.GBS155	-
49	GBC159	LAYSHAFT	BT7-BJ7	USE.GBS159	-
49	GBC160	LAYSHAFT	BJ8	HIGH QUALITY	£37.00



GBC160

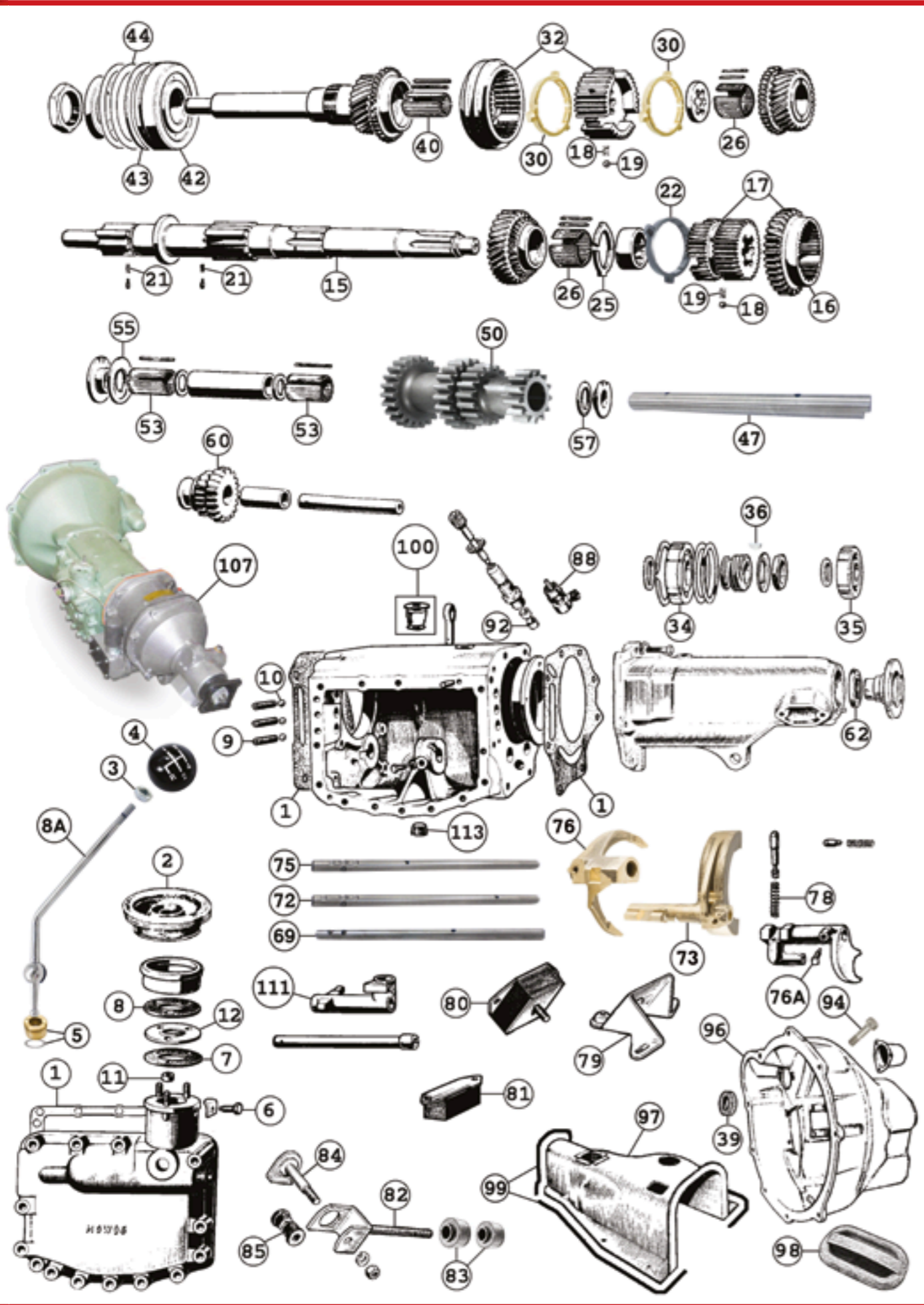
Our layshafts are made to a very high specification. We use a high nickel chrome molybdenum steel that is taken through a 7 stage heat treatment process that includes quite importantly a core refinement process that gives the structure a much finer grain and therefore more resilient to both impacts and bending.

52	GBC166	LAYGEAR-reconditioned ex.only	BT7-BJ7	USE.GBS166	-
52	GBC166N	LAYGEAR - NEW	BT7-BJ7	USE.GBS166N	-
52	GBC168	LAYGEAR-reconditioned.ex.only	BJ8	£250 surcharge	£138.00
52	GBC168N	LAYGEAR - NEW	BJ8		£269.95
53	GBC169	NEEDLE ROLLER-laygear	BT7-BJ7	USE.GBS169	-
54	GBC170	CAGED NEEDLE ROLLER-laygear	BJ8	USE.GBC151	-
55	GBC171	THRUST WASHER-front-laygear	BT7-BJ8	USE.GBS171	-
59	GBC179	THRUST WASHER-rear(0.080")	BT7-BJ8	USE.GBS179	-
59	GBC180	THRUST WASHER-rear(0.082")	BT7-BJ8	USE.GBS180	-
59	GBC181	THRUST WASHER-rear(0.085")	BT7-BJ8	USE.GBS181	-
59	GBC182	THRUST WASHER-rear(0.087")	BT7-BJ8	USE.GBS182	-
59	GBC183	THRUST WASHER-rear(0.090")	BT7-BJ8	USE.GBS183	-
63	GBC189	REVERSE GEAR	BT7-BJ8	USE.GBS189	-
65	GBC191	OIL SEAL-rear(o/d)	BT7-BJ8	USE.GBS191	-
65	GBC192	OIL SEAL-rear(non o/d)	BT7-BJ8	USE.GBS192	-
69	GBC230	SELECTOR SHAFT-reverse	BT7-BJ8	USE.GBS230	-
72	GBC234	SELECTOR SHAFT-1st.&2nd.	BT7-BJ8		£59.95
73	GBC236	FORK SELECTOR 1st&2nd	BT7-BJ8		£136.95
75	GBC238	SELECTOR SHAFT-3rd.&4th.	BT7-BJ8	USE.GBS238	-
76	GBC240	FORK SELECTOR-3rd.&4th.	BT7-BJ8	CENTRE CHANGE	£97.50
76A	GBC241	SELECTOR FORK SCREW	BN2-BJ8	USE.GBS241	-
78	GBC246	SPRING-plunger-reverse fork	BN2-BT7	USE.GBS246	-



No.	Part No.	Description	Application	Notes	Price ex VAT
79	GBC248	MOUNTING-rear gearbox-R/H	BN2-BJ8	USE.GBS248	-
79	GBC249	MOUNTING-rear gearbox-L/H	BN2-BJ8	USE.GBS249	-
80	GBC250	MOUNTING-gearbox	BT7-BJ8	USE.GBS250	-
81	GBC251	BUFFER-gearbox centre	BT7-BJ8	USE.GBS251	-
82	GBC252	TIE BAR	BT7-BJ8	USE.GBS252	-
83	GBC253	RUBBER BUSH-tie bar	BT7-BJ8	USE.GBS253	-
83	GBC253R	POLYBUSH BUSH KIT-tie bar	BT7-BJ8	USE.GBS253R	-
84	GBC254	PIN-tie bar	BT7-BJ8	USE.GBS254	-
85	GBC255	RUBBER BUSH-tie bar pin	BT7-BJ8	USE.GBS255	-
86	GBC257	SEAL-dipstick	BT7-BJ8		£0.25
88	GBC261	ADAPTOR-speedometer	BT7-BJ8	USE.GBS261	-
92	GBC264	OIL SEAL-speedo pinion-o/d	BT7-BJ8	USE.GBS264	-
92	GBC265	OIL SEAL-speedo pinion-non o/d	BT7-BJ8	USE.GBS265	-
94	GBC270	DOWEL BOLT	BT7-BJ8	USE.GBS270	-
96	GBC273	SEAL KIT-transmission tunnel	BT7-BJ8		£9.95
97	GBC274	TRANSMISSION TUNNEL-fibreglass	BT7-BJ8	CENTRE CHANGE	£125.95
97	GBC274C	COMPETITION TRANSMISSION TUNNEL	BT7-BJ8	LIGHT WEIGHT	£149.95
98	GBC275	RUBBER PLUG-transmission cover	BT7-BJ8	USE.GBS275	-
108	GBC280	GEARBOX-WITH O/D-recon	BT7-BJ7	EXCHANGE ONLY £2500 surcharge	£1,895.00
108	GBC281	GEARBOX-WITH O/D-recon	BJ8	EXCHANGE ONLY £2500 surcharge	£1,895.00
112	GBC285	GEAR LEVER SOCKET	BN7-BJ7		£56.50
112	GBC286	GEAR LEVER SOCKET	BJ8		£56.50
115	GBC290	DRAIN PLUG	BT7-BJ8	USE.RAX148	-





No.	Part No.	Description	Application	Notes	Price ex VAT
1	GBS101	GASKET SET	BN2-BT7		£9.95
2	GBS102	GAITER-gear lever	BN2-BT7		£5.45
3	GBS103	KNOB-gear lever	BN2-BT7		£4.35
4	GBS103A	LOCKNUT-g/lever knob	BN2-BJ8		£0.45
4	GBS103C	LOCKNUT-g/lever knob	BN2-BJ8	CHROME	£0.79
5	GBS104	BUSH-gear lever	BN2-BJ7		£9.25
6	GBS105	SCREW-gear lever locating	BN1-BT7		£2.95
7	GBS106	RUBBER SEAL-collar	BN2-BT7		£3.75
8	GBS107	RUBBER WASHER-packing	BN2-BT7		£4.25
8A	GBS109	GEAR LEVER - CHROME	BN2	CHROME	£125.00
8A	GBS109A	GEAR LEVER - CHROME	BN4-BT7	CHROME	£122.50
8C	GBS111	STUD-change speed lever cover	BN2-BT7		£2.25
9	GBS114	SPRING-SELECTOR	BN2-BJ8		£1.75
10	GBS115	BALL-selector	BN2-BT7		£0.80
11	GBS116	DISTANCE PIECE	BN4-BT7	SIDE CHANGE	£1.89
12	GBS118	COVER - gear lever	BN2-BT7		£9.60
15	GBS120	MAINSHAFT-overdrive	BN2-BN6		£395.00
15	GBS121	MAINSHAFT-overdrive	BT7-BJ7		£395.00
16	GBS124	FIRST GEAR-outer only	BN2-BT7		£189.00
17	GBS125	FIRST GEAR ASSY.	BN2-BT7		£268.50
18	GBS126	SPRING-synchro hub	BN2-BT7		£1.60
19	GBS127	BALL-synchro hub	BN2-BT7	USE.GBS115	-
21	GBS129	SPRING-gear plunger	BN2-BT7		£1.10
22	GBS130	BAULK RING-2nd.gear	BN2-BJ7		£29.95
25	GBS133	THRUST WASHER-2nd.gear	BN2-BT7		£6.75
26	GBS134	NEEDLE ROLLER-2nd.&3rd.gear	BN2-BT7		£0.29
30	GBS140	BAULK RING-3rd.&4th.gear	BN2-BT7		£32.95
32	GBS142	SYNCHRO HUB-3rd.&4th.gear	BN2-BT7		£205.00



GBS130 & GBS140

Our Synchronizer/Baulk rings are high precision components manufactured from our own tooling using the HOT DIE FORGING PROCESS.

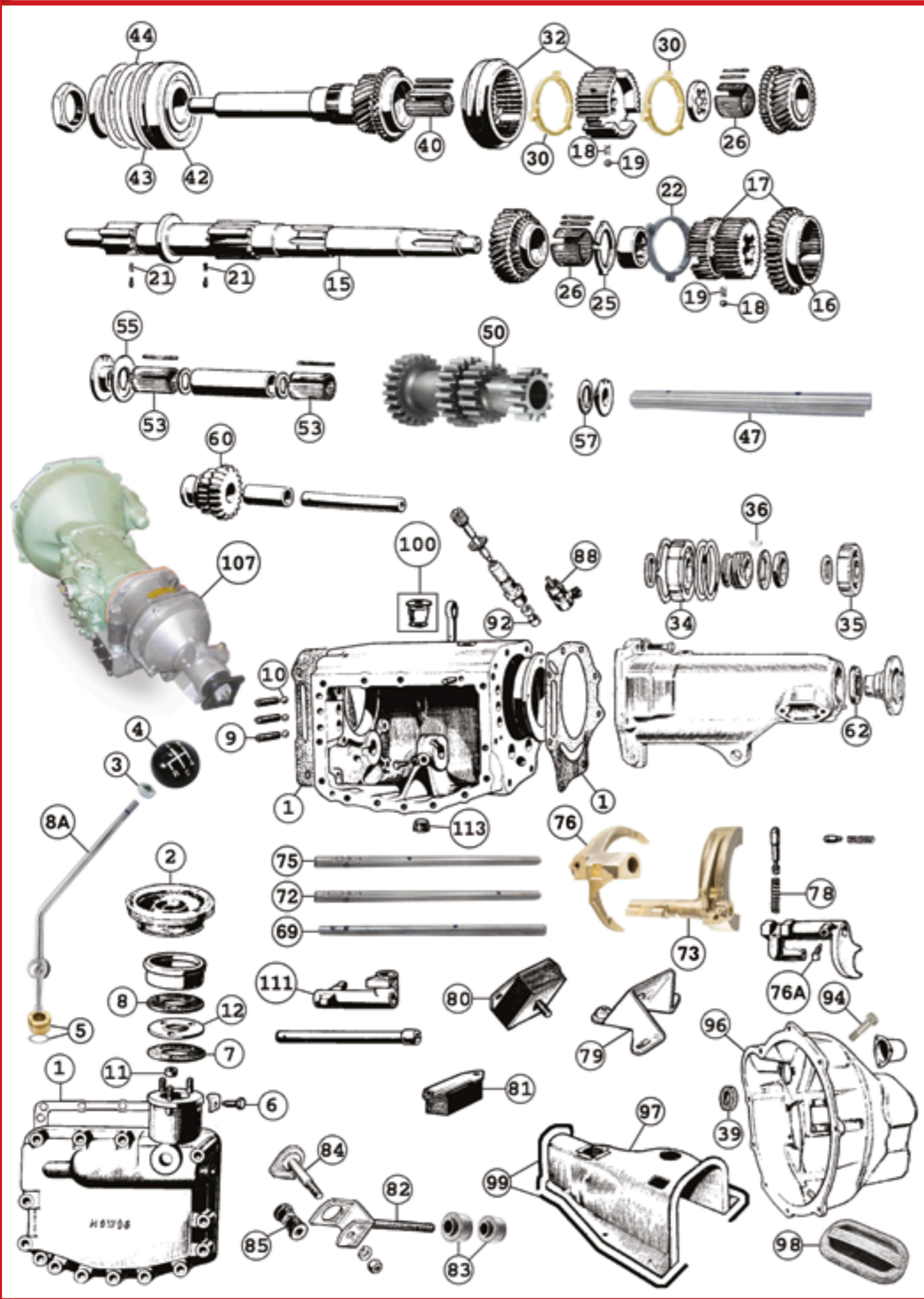
The rough castings are machined by CNC machines to meet the required standards for taper I.D./ tooth pitch, tensile strength, hardness and machining accuracy.

They are also examined for quality at every stage of manufacture.

They have been tested to prove they will stand up to the most strenuous usage.

We have been working with Europe's leading Healey gearbox experts and also our new supplier, that specialises in synchro rings for all types of gearboxes, to ensure these products are of the highest quality.

GEARBOX - 4 SPEED - SIDE CHANGE



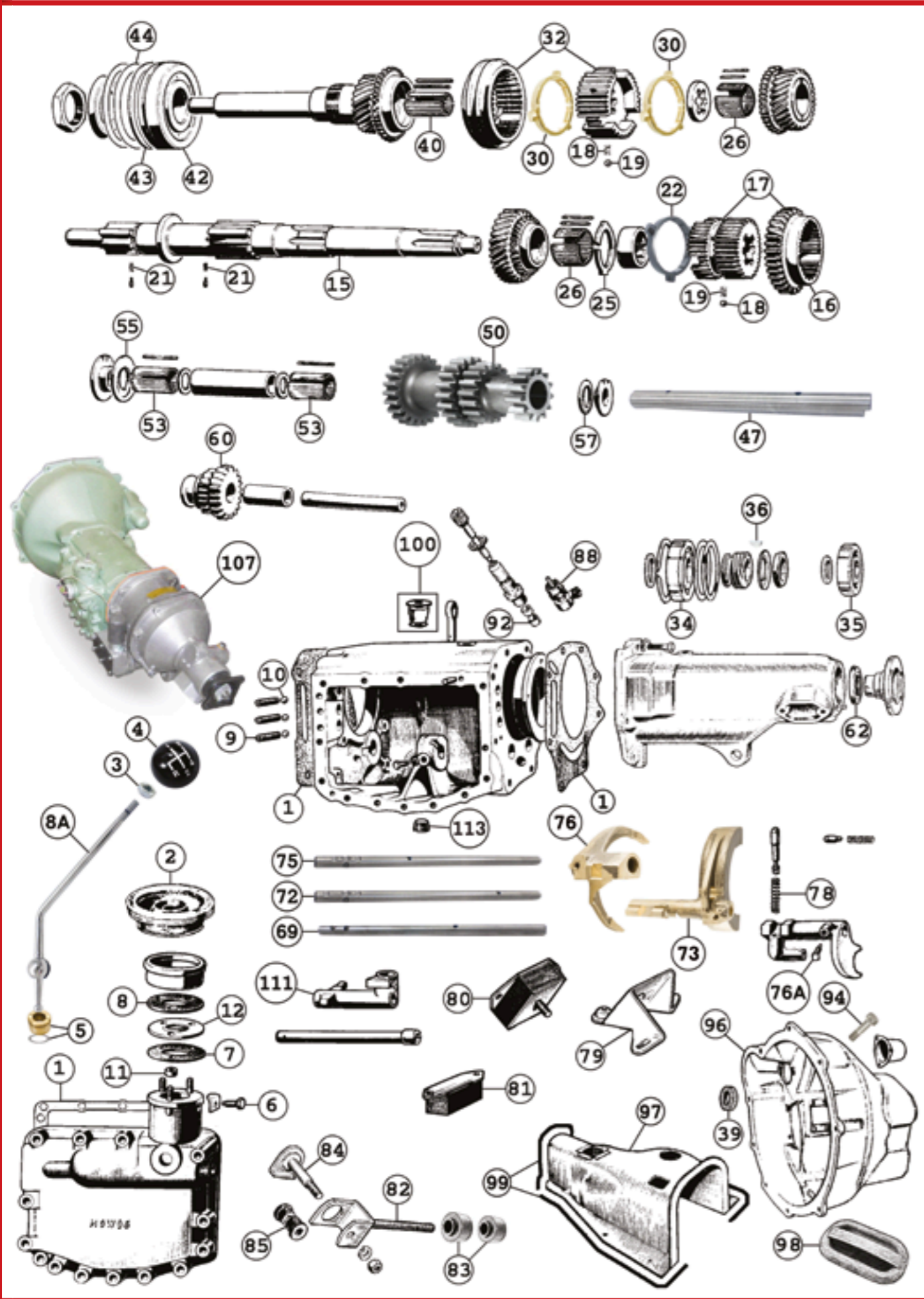
No.	Part No.	Description	Application	Notes	Price ex VAT
34	GBS144	BEARING-rear mainshaft	BN2-BT7		£19.60
34	GBS144HQ	BEARING-rear mainshaft - H/QUAL BRANDED	BN2-BJ8	HIGH QUALITY BRANDED BEARING	£34.95
35	GBS145	BEARING-rear extension-non o/d	BN4-BJ8	NON O/D CARS	£19.50
36	GBS146	WOODRUFF KEY SPEEDO DRIVE-non o/d	BN2-BT7	NON O/D CARS	£1.25
39	GBS149	OIL SEAL-1st.motion shaft	BN2-BT7		£2.70
40	GBS150	NEEDLE ROLLER-1st.motion shaft	BN2-BT7		£0.39
42	GBS152	BEARING-1st.motion shaft	BN2-BT7		£18.50
42	GBS152HQ	BEARING-1st.motion shaft - H/QUAL BRANDED	BN2-BJ8	HIGH QUALITY BRANDED BEARING	£49.50
43	GBS153	CIRCLIP-bearing	BN2-BT7		£1.65
44	GBS154	SHIM-front bearing(0.002')	BN2-BT7		£1.25
44	GBS155	SHIM-front bearing(0.005')	BN2-BT7		£1.85
47	GBS159	LAYSHAFT	BN2-BJ7	HIGH QUALITY	£35.50



GBS159

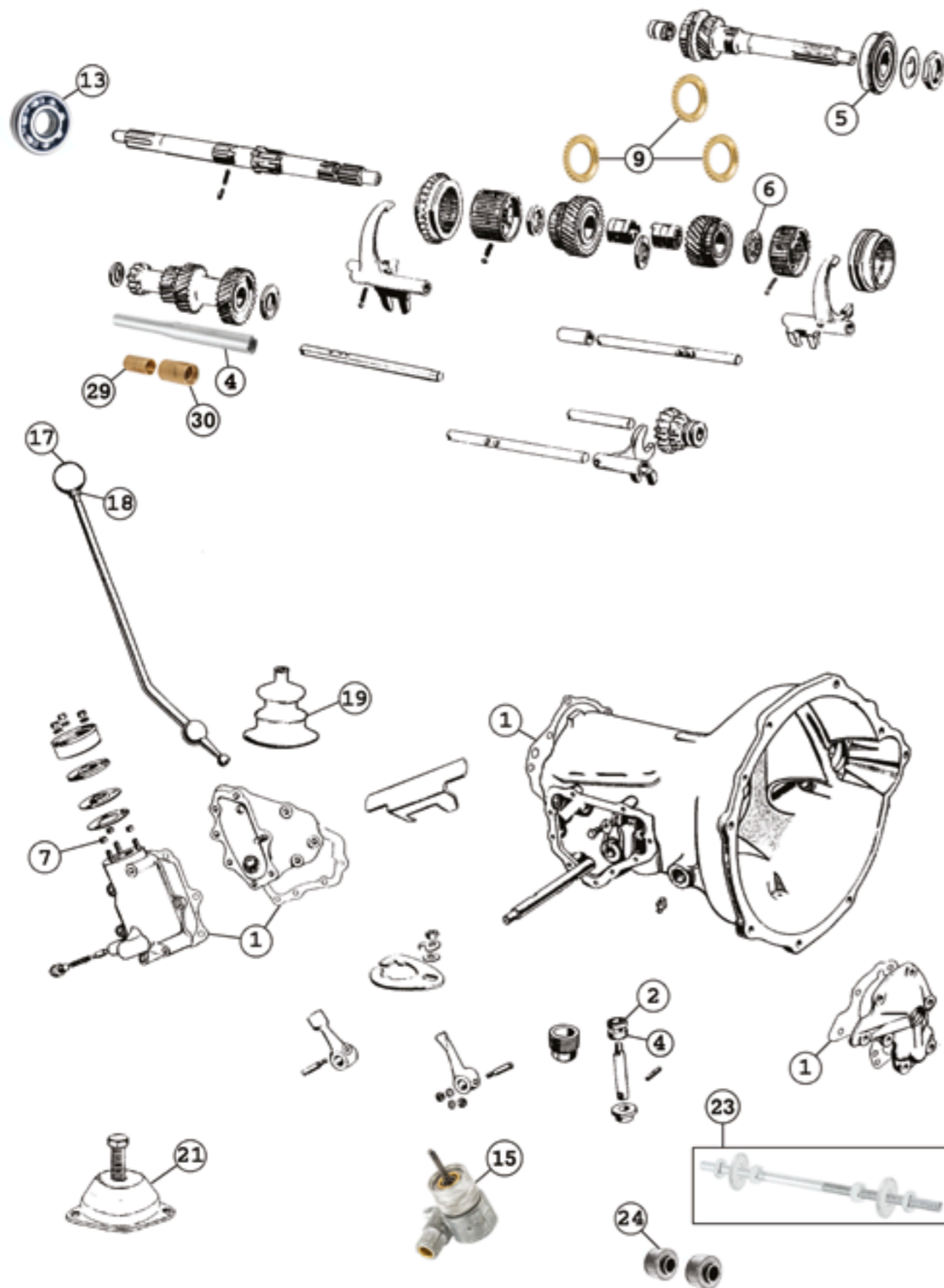
Our layshafts are made to a very high specification. We use a high nickel chrome molybdenum steel that is taken through a 7 stage heat treatment process that includes quite importantly a core refinement process that gives the structure a much finer grain and therefore more resilient to both impacts and bending.

50	GBS162	LAYGEAR-reconditioned(ex.only)	BN2-BN6	1B3728 £250 surcharge	£138.00
50	GBS163A	LAYGEAR-reconditioned(ex.only)	BN7-BT7	AEC3616 £250 surcharge	£138.00
50	GBS163AN	LAYGEAR - NEW	BN7-BT7	AEC3616	£295.00
50	GBS164	LAYGEAR-reconditioned(ex.only)	BN7-BT7	AEC3359 £250 surcharge	£138.00
50	GBS166	LAYGEAR-reconditioned(ex.only)	BN7-BT7	AEC3649 £250 surcharge	£138.00
50	GBS166N	LAYGEAR - NEW	BN7-BT7	AEC3649	£295.00
53	GBS169	NEEDLE ROLLER-laygear	BN2-BT7		£0.33
55	GBS171	THRUST WASHER-front-laygear	BN4-BT7		£17.50
57	GBS179	THRUST WASHER-rear(0.080')	BN2-BT7		£11.75
57	GBS180	THRUST WASHER-rear(0.082')	BN2-BT7		£11.75
57	GBS181	THRUST WASHER-rear(0.085')	BN2-BT7		£11.75
57	GBS182	THRUST WASHER-rear(0.087')	BN2-BT7		£11.75
57	GBS183	THRUST WASHER-rear(0.090')	BN2-BT7		£11.75
60	GBS189	REVERSE GEAR	BN2-BT7		£59.75
62	GBS191	OIL SEAL-rear(o/d)	BN2-BT7		£2.45
62	GBS192	OIL SEAL-rear(non o/d)	BN2-BT7		£3.25
69	GBS230	SELECTOR SHAFT-reverse	BN2-BT7		£59.95
72	GBS234	SELECTOR SHAFT-1st.&2nd.	BN2-BT7	SIDE CHANGE	£59.95
73	GBS236	FORK SELECTOR 1st&2nd	BN2-BT7	SIDE CHANGE	£136.95
75	GBS238	SELECTOR SHAFT-3rd.&4th.	BN2-BT7		£59.95
76	GBS240	FORK SELECTOR-3rd.&4th.	BN2-BT7	SIDE CHANGE	£97.50
76A	GBS241	SELECTOR FORK SCREW	BN2-BJ8		£7.95
78	GBS246	SPRING-plunger-reverse fork	BN2-BT7		£2.85
79	GBS248	MOUNTING-rear gearbox-R/H	BN2-BJ8		£16.95
79	GBS249	MOUNTING-rear gearbox-L/H	BN2-BJ8		£16.95
80	GBS250	MOUNTING-gearbox	BN2-BT7		£2.10



No.	Part No.	Description	Application	Notes	Price ex VAT
81	GBS251	BUFFER-gearbox centre	BN2-BT7		£2.85
82	GBS252	TIE BAR	BN2-BT7		£12.95
83	GBS253	RUBBER BUSH-tie bar	BN2-BT7		£0.53
83	GBS253R	POLYBUSH BUSH KIT-tie bar	BN2-BT7	PERFORMANCE	£8.25
84	GBS254	PIN-tie bar	BN2-BT7		£10.75
85	GBS255	RUBBER BUSH-tie pin bar	BN2-BT7		£0.55
88	GBS260	ADAPTOR-speedometer	BN2	USE.GBT135	-
88	GBS261	ADAPTOR-speedometer	BN4-BT7		£38.95
88	GBS262	ADAPTOR-speedometer	BN4-BT7	HIGH QUALITY ALTERNATIVE	£139.95
92	GBS264	OIL SEAL-speedo pinion-o/d	BN4-BT7		£3.95
92	GBS265	OIL SEAL-speedo pinion-non o/d	BN4-BT7		£1.65
94	GBS270	DOWEL BOLT	BN4-BT7		£10.85
97	GBS274	TRANSMISSION TUNNEL-fibreglass	BN4-BT7	SIDECCHANGE	£99.50
98	GBS275	RUBBER PLUG-transmission cover	BN2-BT7		£1.50
99	GBS276	SEAL KIT-transmission tunnel	BN2-BT7	USE.GBC273	-
100	GBS278	DIPSTICK CONVERSION	BN2-BT7		£16.50
107	GBS285	GEARBOX-WITH O/D-recon	BN7+BT7	EXCHANGE ONLY £2500 surcharge	£1,895.00
111	GBS289	GEAR LEVER SHOE	BN2-BT7		£165.00
113	GBS290	DRAIN PLUG	BN2-BT7	USE.RAX148	-





No.	Part No.	Description	Application	Notes	Price ex VAT
1	GBT101	GASKET SET	BN1		£11.95
2	GBT103	OIL SEAL-interlock shaft	BN1		£2.45
3	GBT104	FELT RING-interlock shaft	BN1		£3.25
4	GBT106	LAYSHAFT	BN1		£63.50
5	GBT109	BEARING-1st.motion shaft	BN1	USE.GBS144	-
6	GBT110	THRUST WASHER-mainshaft,0.157"	BN1		£5.75
7	GBT111	DISTANCE PIECE	BN1-BN2	USE.GBS116	-
9	GBT114	SYNCHRO RING	BN1		£149.95
13	GBT125	BEARING-mainshaft	BN1		£22.75
13	GBT125HQ	BEARING-mainshaft - H/QUAL BRANDED	BN1	HIGH QUALITY BRANDED BEARING	£59.95
15	GBT135	ADAPTOR-speedo drive	BN1		£81.50
15	GBT136	ADAPTOR-speedometer	BN1	HIGH QUALITY ALTERNATIVE	£139.95
17	GBT140	KNOB-gear lever	BN1		£17.95
18	GBT140A	LOCKNUT-g/lever knob	BN1		£0.55
19	GBT141	GAITER-gear lever	BN1		£15.95
21	GBT145	MOUNTING-gearbox	BN1		£9.95
23	GBT149	TIE BAR ASSY	BN1		£16.50
24	GBT150	RUBBER BUSH-tie bar	BN1	USE.GBS253	-
29	GBT155	BUSH FRONT - LAYGEAR	BN1		£28.50
30	GBT156	BUSH REAR - LAYGEAR	BN1		£79.95

