



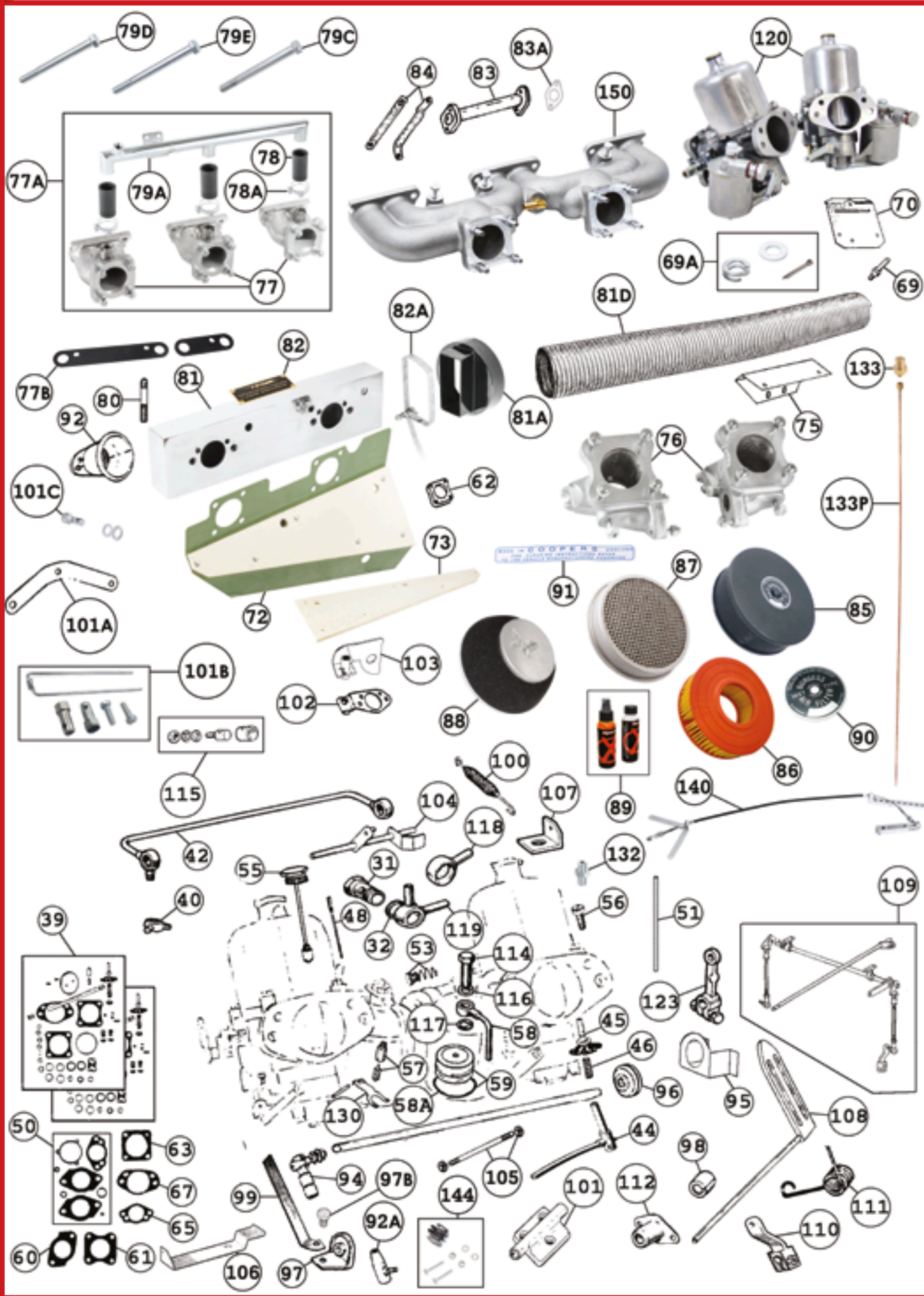
No.	Part No.	Description	Application	Notes	Price ex VAT
1	FUL101	PETROL TANK	BN1-BN2		£256.50
1	FUL101A	PETROL TANK-aluminium	BN1-BN2		£258.50
1A	FUL102	PETROL TANK	BN4-BJ8		£229.50
1A	FUL104	PETROL TANK-aluminium	BN4-BJ8		£239.50
2	FUL104R	RESERVE TANK SPARE WHEEL	4 SEATERS	7 LITRE	£104.75
3	FUL105	STRAP-petrol tank	BN4-BJ8		£21.50
3E	FUL105W	D-WASHER - tank strap to boot floor	BN1-BJ8	STAINLESS STEEL	£2.55
4	FUL106	FILLER NECK TUBE	BN4-BJ8		£29.50
5	FUL107	SEAL-tank mounting	BN4-BJ8	ORIGINAL TYPE	£4.95
5	FUL107A	SEAL-tank mounting-self adhesive	BN4-BJ8	ADHESIVE FOAM	£8.95
6	FUL108	DRAIN PLUG	BN1-BJ8		£1.75
7	FUL109	WASHER-drain plug	BN1-BJ8		£0.25
8	FUL110	TUBE-rubber,filler to tank	BN4-BJ8		£4.95
9	FUL111	CLAMP-filler tube	BN4-BJ8		£0.72
10	FUL112	GROMMET-filler neck/body	BN4-BJ8		£2.50
11	FUL113	FILLER CAP	BN1-BN2		£39.95
12	FUL114	FILLER CAP	BN4-BJ8		£5.90
12	FUL114M	MONZA FILLER CAP-chrome 2.5"	BN4-BJ8	2.5" CHROME INC COLLAR	£149.50
13	FUL115	FILLER CAP-locking	BN4-BJ8		£20.95
14	FUL116N	SENDER UNIT-NEW-outright sale	BN1-BJ7		£39.95
14	FUL117N	SENDER UNIT-NEW-outright sale	BJ8		£39.95
15	FUL118	SCREW-sender unit	BN1-BJ8		£0.68
16	FUL119	COPPER WASHER-sender unit	BN1-BJ8		£0.38
17	FUL120	GASKET-sender unit	BN1-BJ8		£0.35
18	FUL121	FUEL PIPE KIT-COPPER	BN1-BN2		£34.75
18	FUL122	FUEL PIPE KIT-COPPER	BN4-BT7		£43.50
18	FUL123	FUEL PIPE KIT-COPPER	BJ7-BJ8		£43.50
20	FUL124	END FITTING-petrol pipe	BN4-BJ8		£2.95
21	FUL125	END FITTING-petrol pipe	BN1-BN2		£2.95
22	FUL126	GROMMET-pipe/rear bulkhead	BN4-BJ8		£1.95
23	FUL127	CLEVIS PIN-tank strap	BN1-BJ8		£0.65
24	FUL128	CLIP-fuel pipe to chassis	A/R		£0.75
25	FUL129	BRACKET & PLATE-tank strap	BN7-BJ8		£5.75
26	FUL130	PETROL PUMP - DUAL POLARITY	BN1-BN4.60413	DUAL POLARITY	£96.50
26	FUL130E	PETROL PUMP-electronic+ earth	BN1-BN4.60413		£105.00
26	FUL130N	PETROL PUMP(electronic), - earth	BN1-BN4.60413		£105.00
27	FUL130R	REPAIR KIT-fuel pump	BN1-BN4.60413		£30.60
26	FUL131	PETROL PUMP - DUAL POLARITY	BN4.60414-BJ8	DUAL POLARITY	£89.95
26A	FUL131C	DOUBLE SU PETROL PUMP	BN4.60414-BJ8	DUAL POLARITY	£219.00
26A	FUL131CN	DOUBLE SU PETROL PUMP-electronic - earth	BN4.60414-BJ8	NEGATIVE EARTH	£229.50
26B	FUL131D	DOUBLE SU PUMP FITTING KIT	BN4.60414-BJ8		£32.50
26	FUL131E	PETROL PUMP-electronic + earth	BN4.60414-BJ8		£99.50
26	FUL131N	PETROL PUMP-electronic - earth	BN4.60414-BJ8		£99.50
27	FUL131R	REPAIR KIT-fuel pump	BN4.60414-BJ8		£33.30
28	FUL132	POINT SET-petrol pump	BN1-BJ8		£11.00
28A	FUL132B	MOUNTING BRACKET-petrol pump	BT7-BJ8	ROUND BODY PUMP	£19.95
28B	FUL132S	SU LABEL-petrol pump	BN1-BJ8		£2.50
29	FUL133	DIAPHRAGM ASSEMBLY-fuel pump	A/R	2.3/8" STEM	£26.50

FUEL - 1

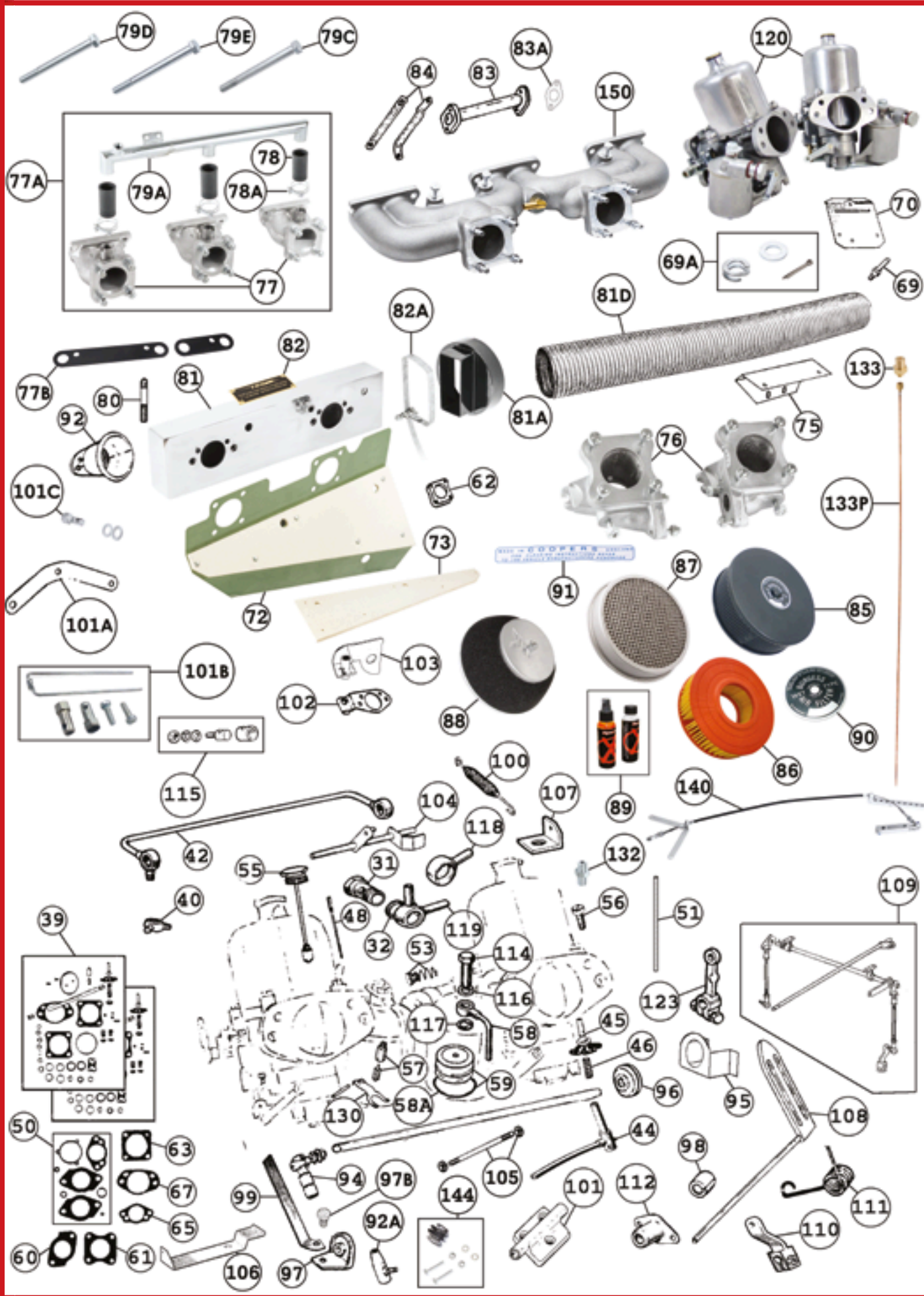


No.	Part No.	Description	Application	Notes	Price ex VAT
30	FUL134	BANJO	BN1-BJ8		£11.95
31	FUL135	BOLT-banjo	BN1-BJ8		£3.50
32	FUL136	WASHER-banjo bolt	BN1-BJ8		£0.34
34	FUL138	CLIP-feed pipe	BJ7-BJ8	USE.ELG126	-
36	FUL140	PETROFLEX-pipe to carb.	BN1-BN2		£15.75
36	FUL142	PETROFLEX-pipe to carb.	BN4.58727-BT7.13750		£12.25
36	FUL145	PETROFLEX-pipe to carb.	BJ8		£14.95
36A	FUL146	FUEL FILTER-Inline	A/R	CHROME AND GLASS	£8.75
37	FUL147	PETROFLEX-front to centre carb	BN7&BT7	TRI-CARB ONLY	£9.95
37	FUL148	PETROFLEX-between carbs.	BJ7-BJ8		£2.75
38	FUL149	CLIP-securing-petroflex/carb.	A/R		£0.65
38A	FUL149A	RUBBER CAP-petroflex	A/R		£0.29
39	FUL150	H4.REPAIR KIT-both carbs.	BN1-BN2-BN4 EARLY		£89.50
39	FUL152	H6.REPAIR KIT-both carbs.	100M		£89.50
39	FUL154	HD6 REPAIR KIT-both carbs.	BN4-BT7		£126.70
39	FUL156	HS4 REPAIR KIT-all 3 carbs	BN7&BT7	TRI-CARB ONLY	£115.50
39	FUL158	HS6 REPAIR KIT-both carbs.	BJ7		£68.50
39	FUL160	HD8 REPAIR KIT-both carbs.	BJ8		£132.50



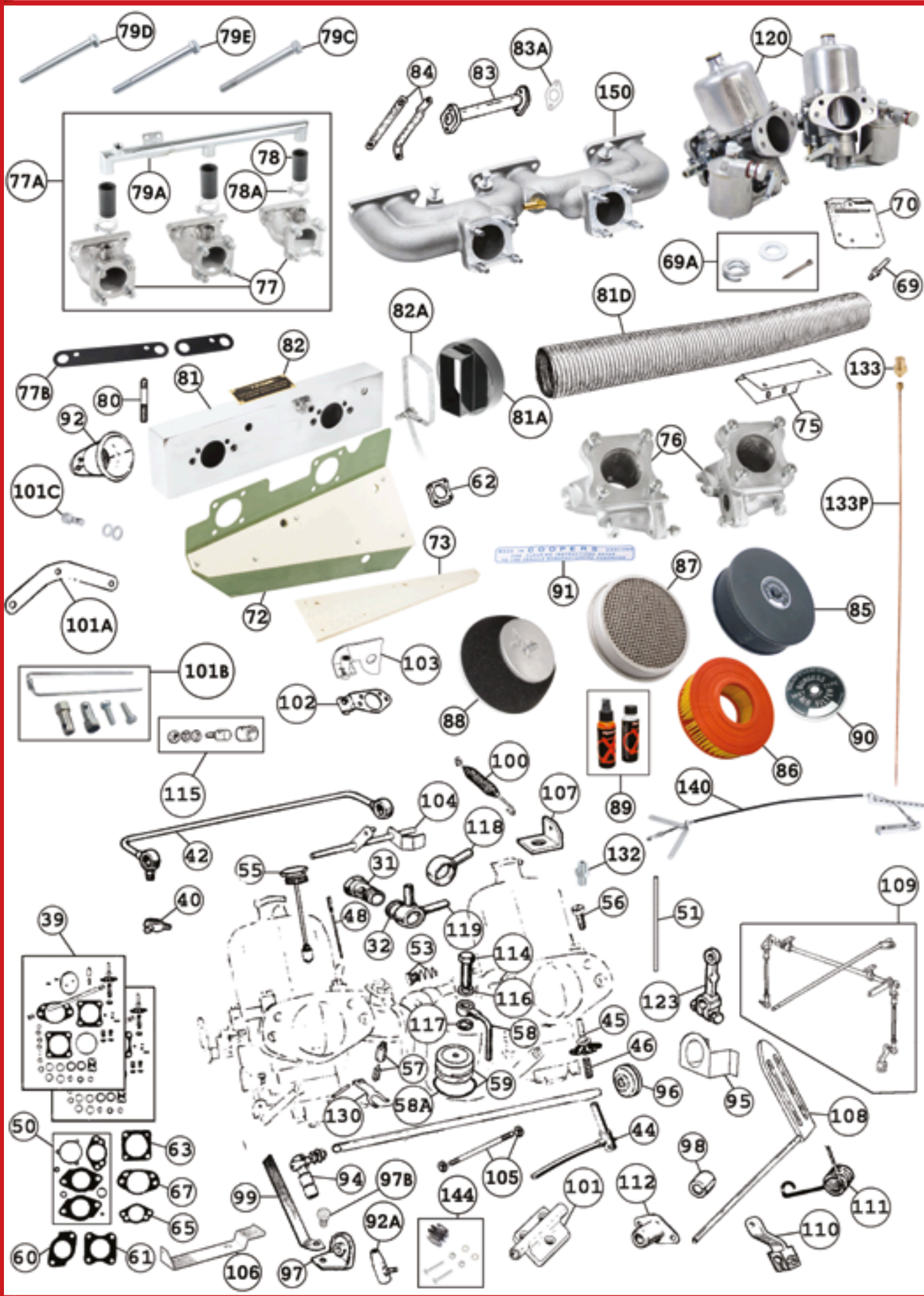


No.	Part No.	Description	Application	Notes	Price ex VAT
40	FUL162	BANJO-screwed double-90 degree	A/R	NON STANDARD	£12.75
42	FUL164	PIPE ASSY-carb to carb	BN1-BN2		£76.50
42	FUL165	PIPE ASSY-carb to carb	BN4-BT7		£74.50
44	FUL170	JET-front&rear H4	BN1-BN4 EARLY	EACH	£13.40
44	FUL171	JET-front&rear H6	100/M	LE MANS	£8.40
45	FUL172	JET-front&rear HD6	BN4-BT7	EACH	£24.50
44	FUL173	JET-front&rear HS4	BN7&BT7	TRI-CARB ONLY	£15.85
44	FUL174	JET-centre HS4	BN7&BT7	TRI-CARB ONLY	£15.85
44	FUL175	JET-front HS6	BJ7		£15.85
44	FUL176	JET-rear HS6	BJ7		£15.85
45	FUL177	JET-front&rear	BJ8		£24.95
46	FUL178	SPRING-diaphragm	HD CARBS		£0.95
48	FUL180	NEEDLE-STANDARD H4	BN1-BN2	QW	£8.68
48	FUL180E	NEEDLE-STANDARD H4	BN4 EARLY	AJ	£8.68
48	FUL181	NEEDLE-STANDARD H6	100M	QA7	£8.68
48	FUL182	NEEDLE-STANDARD HD6	BN4-BT7	CV	£8.68
48	FUL183	NEEDLE-STANDARD HS4	BN6&BT7	DJ TRI-CARB ONLY	£8.68
48	FUL184	NEEDLE-STANDARD HS6	BJ7	BC	£8.68
48	FUL185	NEEDLE-STANDARD HD8	BJ8	UH	£8.68
48	FUL186	NEEDLE-RICH HD8	BJ8	UN	£8.68
50	FUL190	GASKET SET-per carburetter	H4&H6		£9.50
50	FUL191	GASKET SET-per carburetter	HD6		£6.95
50	FUL192	GASKET SET-per carburetter	HS4		£3.60
50	FUL193	GASKET SET-per carburetter	HS6		£3.60
50	FUL194	GASKET SET-per carburetter	HD8		£7.75
51	FUL196	PIPING-carb overflow(PER FOOT)	BN1-BJ8		£2.45
53	FUL198	FUEL FILTER	H4,H6,HD6&HD8		£3.75
55	FUL200	CAP&DAMPER-plastic cap	H4,H6&HD6		£10.95
55	FUL201	CAP&DAMPER-brass cap	H4,H6&HD6		£18.50
55	FUL202	CAP&DAMPER-plastic cap	HS6		£10.95
55	FUL203	CAP&DAMPER-brass cap	HS6		£18.50
55	FUL204	CAP&DAMPER	HD8		£10.95
56	FUL205	SCREW-dashpot cover	A/R		£0.59
57	FUL206	NEEDLE VALVE-plastic & brass float	A/R		£10.65
58	FUL207	OVERFLOW PIPE	H & HD	CARBS	£16.50
58A	FUL208	GASKET-float chamber lid	H4,H6,HD6&HD8		£0.55
58A	FUL208A	GASKET-float chamber lid	HS4,HS6		£0.75
59	FUL209	FLOAT KIT-H & HD carbs	H & HD	CARBS	£17.50
59	FUL209C	FLOAT KIT-adj & anti flood	HS4&HS6	ADJUSTABLE AND ANTI FLOOD	£26.50
59	FUL210	FLOAT KIT-HS4 & HS6 carbs	HS4&HS6	CARBS	£9.80
60	FUL210A	GASKET-carb.to heatshield	BN1-BN2		£0.60
60	FUL210B	GASKET-carb.to heatshield	BN4 EARLY		£0.60
60	FUL211	GASKET-carb.to heatshield	HS4	TRI-CARB	£0.60
61	FUL212	GASKET-carb.to heatshield	HD6,HS6		£0.55
62	FUL213	SPACER-carb.to heatshield	HD6,HS6		£8.95
62	FUL213A	SPACER-carb. to heatsield	H4		£7.50
62	FUL213B	SPACER-carb.to heatshield	HD8		£8.95
62	FUL213C	SPACER-carb.to heatshield	HS4	TRI-CARB	£9.85
63	FUL214	GASKET-carb.to heatshield	HD8		£0.49



No.	Part No.	Description	Application	Notes	Price ex VAT
65	FUL215	GASKET-carb.to air filter	HD6,HS6		£0.98
65	FUL215A	GASKET-carb.to air filter	HD6,HS6	NON STD CORK	£1.95
65	FUL216	GASKET-carb.to air filter	H4,HS4		£0.50
67	FUL219	GASKET-carb.to air filter	HD8		£0.75
67	FUL219A	GASKET-carb.to air filter	HD8	NON STD CORK	£1.95
69	FUL227	FULCRUM PIN - bellcrank lever	BN1-BN2		£10.95
69A	FUL227A	FITTING KIT - bellcrank lever	BN1-BN2		£2.95
70	FUL228	HEATSHIELD	BN1-BN2		£11.95
70	FUL228M	HEATSHIELD-100M	100M		£26.50
72	FUL230	HEATSHIELD ASSY - 1.1/2" x 3	BN7&BT7	TRI-CARB ONLY	£52.50
72	FUL232	HEATSHIELD ASSY	A/R	1.3/4" CARBS	£34.50
72	FUL232SS	HEATSHIELD ASSY - stainless steel	A/R	1.3/4" CARBS	£69.50
72	FUL233	HEATSHIELD ASSY	HD8	2" CARBS	£34.50
72	FUL233SS	HEATSHIELD ASSY - stainless steel	HD8	2" CARBS	£69.50
73	FUL235	INSULATION PIECE-heat shield	BN6-BJ8	NOT TRI-CARB	£7.95
73	FUL236	INSULATION-heat shield-pair	BN7&BT7	TRI-CARB ONLY	£23.50
75	FUL238	BRACKET-shroud support	100M	REQ'D TO FIT AIR BOX	£10.95
76	FUL240	INLET MANIFOLDS-le mans-pair	BN1-BN2	LE MANS-1.3/4"	£162.50
77A	FUL241	INLET MANIFOLDS-car set-comp.	BN4-BJ8	SET OF 3-2" S.U	£329.95
77	FUL242	INLET MANIFOLDS-triple 2" s.u	BN4-BJ8	SET OF 3	£275.00
78	FUL243	HOSE-balance pipe	TRI-CARB	1.3/4" & 2"	£3.25
78A	FUL243A	CLIP-balance pipe hose	TRI-CARB	1.3/4" & 2"	£0.98
79	FUL244	PIPE-take off	TRI-CARB	1.3/4" & 2"	£8.45
79A	FUL244A	BALANCE PIPE	TRI-CARB	1.3/4" & 2"	£59.50
79B	FUL244B	BRACKET SET SPRING RETAINING	TRI-CARB		£9.75
79C	FUL244C	BOLT - exhaust manifold to head	TRI-CARB		£2.25
79D	FUL244D	BOLT - inlet to exhaust manifold(short)	TRI-CARB		£1.75
79E	FUL244E	BOLT - inlet to exhaust manifold(long)	TRI-CARB		£2.15
80	FUL245	STUD-manifold to carbs	BN4.ENG.40500-BJ8		£0.98
81	FUL246	COLD AIR BOX	100/M		£65.00
81A	FUL246A	COLD AIR BOX ADAPTOR	100/M		£36.50
81D	FUL246D	COLD AIR BOX INTAKE HOSE	100/M		£81.50
82	FUL247	PLAQUE-100M COLD AIRBOX	100M		£7.95
82A	FUL247A	STRIP & BUCKLE CLIP-trunking	100M		£5.95
83	FUL248	BALANCE PIPE-with flange	BN1-BN2		£29.50
83A	FUL248A	GASKET BALANCE PIPE	BN1-BN2		£0.52
84	FUL249	SUPPORT STRUTS-carburetter-Pr.	BN1-BN2		£21.95
85	FUL250	AIR FILTER-front	BN1-BN4	EARLY	£36.95
85	FUL251	AIR FILTER-rear	BN1-BN4	EARLY	£35.95
86	FUL254	ELEMENT-air cleaner-non std.	BN1-BN4	EARLY	£5.45





No.	Part No.	Description	Application	Notes	Price ex VAT
87	FUL257	AIR FILTER-front & centre	TRI-CARB	PAINTED	£23.95
87	FUL257S	AIR FILTER-front & centre	TRI-CARB	STAINLESS STEEL	£32.50
87	FUL258	AIR FILTER-rear	TRI-CARB	PAINTED	£23.95
87	FUL258S	AIR FILTER-rear	TRI-CARB	STAINLESS STEEL	£32.50
87	FUL259	AIR FILTER-front	BN4-BJ7	PAINTED	£23.95
87	FUL259S	AIR FILTER-front	BN4-BJ7	STAINLESS STEEL	£32.50
87	FUL260	AIR FILTER-rear	BN4-BJ7	PAINTED	£23.95
87	FUL260S	AIR FILTER-rear	BN4-BJ7	STAINLESS STEEL	£32.50
87	FUL261	AIR FILTER-front	BJ8	PAINTED	£23.95
87	FUL261S	AIR FILTER-front	BJ8	STAINLESS STEEL	£32.50
87	FUL262	AIR FILTER-rear	BJ8	PAINTED	£23.95
87	FUL262S	AIR FILTER-rear	BJ8	STAINLESS STEEL	£32.50
88	FUL263	PERFORMANCE AIR FILTER-HS4	TRI-CARB	HS4 PIPERCROSS	£32.95



An extremely worthwhile upgrade these PIPERCROSS competition air filters offer the ultimate in engine filtration, designed for people who demand the very best from their engine.

All filters in the PIPERCROSS range can be used for both road and competition use.

The filter element is produced in triple layer competition laminated foam and is available as a complete, easy to fit kit.

FUL263

88	FUL264	PERFORMANCE AIR FILTER-HD6+HS6	BN4-BJ7	HD6+HS6 PIPERCROSS	£32.95
89	FUL265	FILTER CLEANER+DIRT RETENTION	A/R	2 BOTTLES 75ml EACH	£10.99
90	FUL266	DECAL-air filter	BN1-BN2		£2.05
91	FUL267	DECAL-air filter	BN4-BJ8		£1.25
91	FUL267P	DECAL-air filter HIGH QUALITY	BN4-BJ7	CORRECT FOR BN4-BJ7	£1.75
92	FUL268	TRUMPET-carb.-polished alloy	1.3/4'	CARBS	£41.50
92	FUL269	TRUMPET-carb.-polished alloy	2'	CARBS	£53.50
92A	FUL269A	BALL JOINT-throttle linkage	BN1-BN2	U.N.F	£15.65



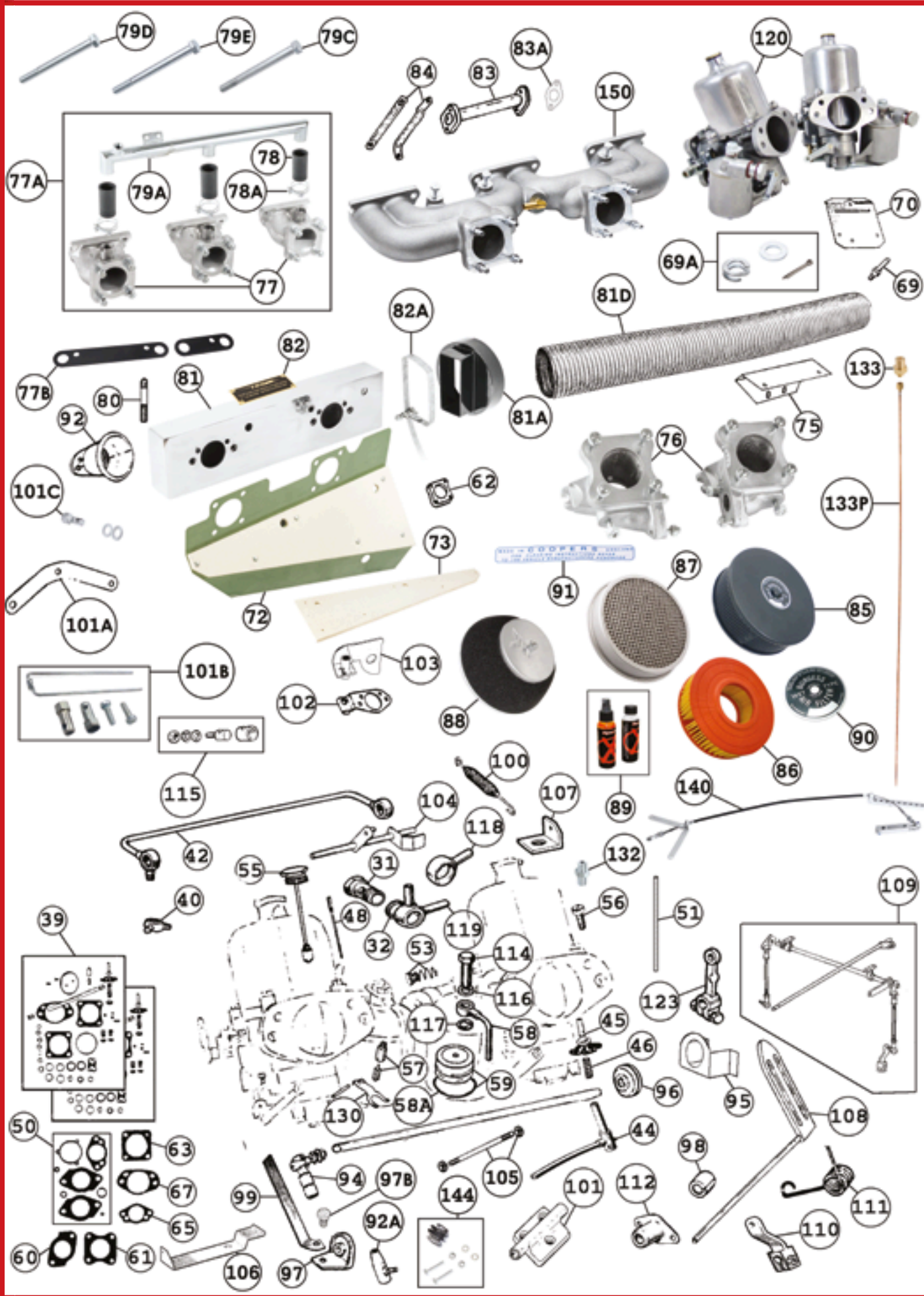
For years the only available throttle linkage ball joints for the Healey 100 were visually incorrect and made from steel. A.H. Spares have managed to discover the O.E. manufacturer.

They have been made using O.E. tooling in brass, with the only difference being that they now have multiple adjustments for a precise setting.

You can now buy these accurate reproductions from A.H. Spares "The Original Healey Parts Specialists."

FUL269A

94	FUL271	BALL JOINT-throttle linkage	BN4.50759-BJ8	ORIGINAL	£5.20
95	FUL273	HOUSING-bulkhead bush	BN4-BN8		£5.75
96	FUL274	BUSH,BULKHEAD-throttle shaft	BN4-BJ8		£4.95
97	FUL275	BRACKET,NYLON-throttle shaft	BN4-BJ8		£1.95
97B	FUL275B	BOLT-nylon bracket to manifold	BN4-BJ8		£0.35
98	FUL276	FELT,BUSH-throttle linkage	BN4-BJ8		£1.45
98	FUL277	NYLON,BUSH-throttle linkage	BN4-BJ8	NON STD	£3.95
99	FUL277A	BRACKET-reinforcement	BJ7-BJ8		£7.75
100	FUL278	THROTTLE SPRING	A/R		£0.98



No.	Part No.	Description	Application	Notes	Price ex VAT
101	FUL279	BRACKET-throttle pedal	BN1-BN2		£11.50
101A	FUL279A	CHOKE BRACKET ABUTMENT	BN1-BN2		£8.95
101B	FUL279B	STIRRUP KIT - choke connector	BN1-BN4.48862		£12.95
101C	FUL279C	PIN & NUT ABUTMENT - outer cable	BN1-BN2		£8.50
102	FUL280	CHOKE BRACKET	BN4-BT7	HD6 CARBS	£29.50
103	FUL281	CHOKE BRACKET ABUTMENT	BJ8	HD8 CARBS	£19.95
104	FUL282	SHAFT ASSY-carb. coupling	BJ8		£33.15
105	FUL283	CARBURETTER LINK ROD & NUTS	A/R	CUT TO LENGTH	£2.95
106	FUL285	BRACKET-mounting-throttle brkt	BJ7-BJ8		£14.75
107	FUL286	BRACKET-throttle return spring	BJ7-BJ8		£1.75
108	FUL290	THROTTLE PEDAL-R.H.D.	BN1-BN2	R.H.D ONLY	£38.50
108	FUL291	THROTTLE PEDAL-L.H.D.	BN1-BN2	L.H.D ONLY	£38.50
108	FUL292	THROTTLE PEDAL-R.H.D.	BN4-BJ7	R.H.D ONLY	£52.50
108	FUL293	THROTTLE PEDAL-L.H.D.	BN4-BJ8	L.H.D WITH BUSH	£52.50
108	FUL294	THROTTLE PEDAL-R.H.D.	BJ8	R.H.D ONLY	£66.95
109	FUL295	THROTTLE LINKAGE ASSY-L.H.D	BJ7-BJ8		£224.50
110	FUL296	BRACKET - throttle shaft	BJ7-BJ8		£21.50
111	FUL297	SPRING-PEDAL RETURN-R.H.D	BN4-BJ8	R.H.D ONLY	£10.95
111	FUL298	SPRING-PEDAL RETURN-L.H.D	BN4-BJ8	L.H.D ONLY	£10.95
112	FUL299	CUP-throttle bush	BN4-BJ8	FIT WITH FUL276	£20.50
114	FUL301	NUT-float chamber lid	H4,H6,HD6&HD8		£3.45
115	FUL302	RETAINER-choke cable	BN4-BT7	HD6 CARBS	£10.95
116	FUL303	WASHER-aluminium	H4,H6,HD6&HD8		£0.55
117	FUL304	WASHER-fibre	H4,H6,HD6&HD8		£0.63
118	FUL305	BANJO-float chamber lid	BJ8		£4.10
119	FUL306	BANJO-DOUBLE-float chamber	BJ8		£20.95
120	FUL310	CARBURETTERS-H6-pr	100M		£995.00
120	FUL312	CARBURETTERS-HD6-pr	BN4 LATE, BN7&BT7		£1,195.95
120	FUL315	CARBURETTERS-HD8-pr	BJ8		£1,250.00
123	FUL316	LEVER ASSY	BT7-BJ8		£11.95
130	FUL320	LEVER-needle valve	HD6 & HD8		£2.50
132	FUL322	UNION - vacuum advance	BN1-BT7	REAR CARB	£5.45
132	FUL322A	UNION - vacuum advance	100M	REAR CARB	£8.95
133	FUL323	UNION - drain pipe from manifold	BN1-BN2	INC 100/M	£7.50
133P	FUL323P	DRAIN PIPE- with nipple and nut	BN1-BN2	INC 100/M	£7.85
140	FUL330	THROTTLE CABLE CONVERSION	BN1-BN2		£99.95
140	FUL331	THROTTLE CABLE CONVERSION	BN4-BJ8		£99.95
140	FUL332	H/DUTY SU THROTTLE CABLE CONVERSION-RHD	BN4-BJ8	UPRATED HEAVY DUTY	£257.50
140	FUL333	H/DUTY SU THROTTLE CABLE CONVERSION-LHD	BN4-BJ8	UPRATED HEAVY DUTY	£257.50
144	FUL335	COUPLING ASSY	BN1-BT7		£12.95
150	FUL340	FAST FLOW INLET MANIFOLD - 2"	BN4(6PORT)-BJ8	2" BUT CAN BE USED WITH 1.3/4"	£440.00