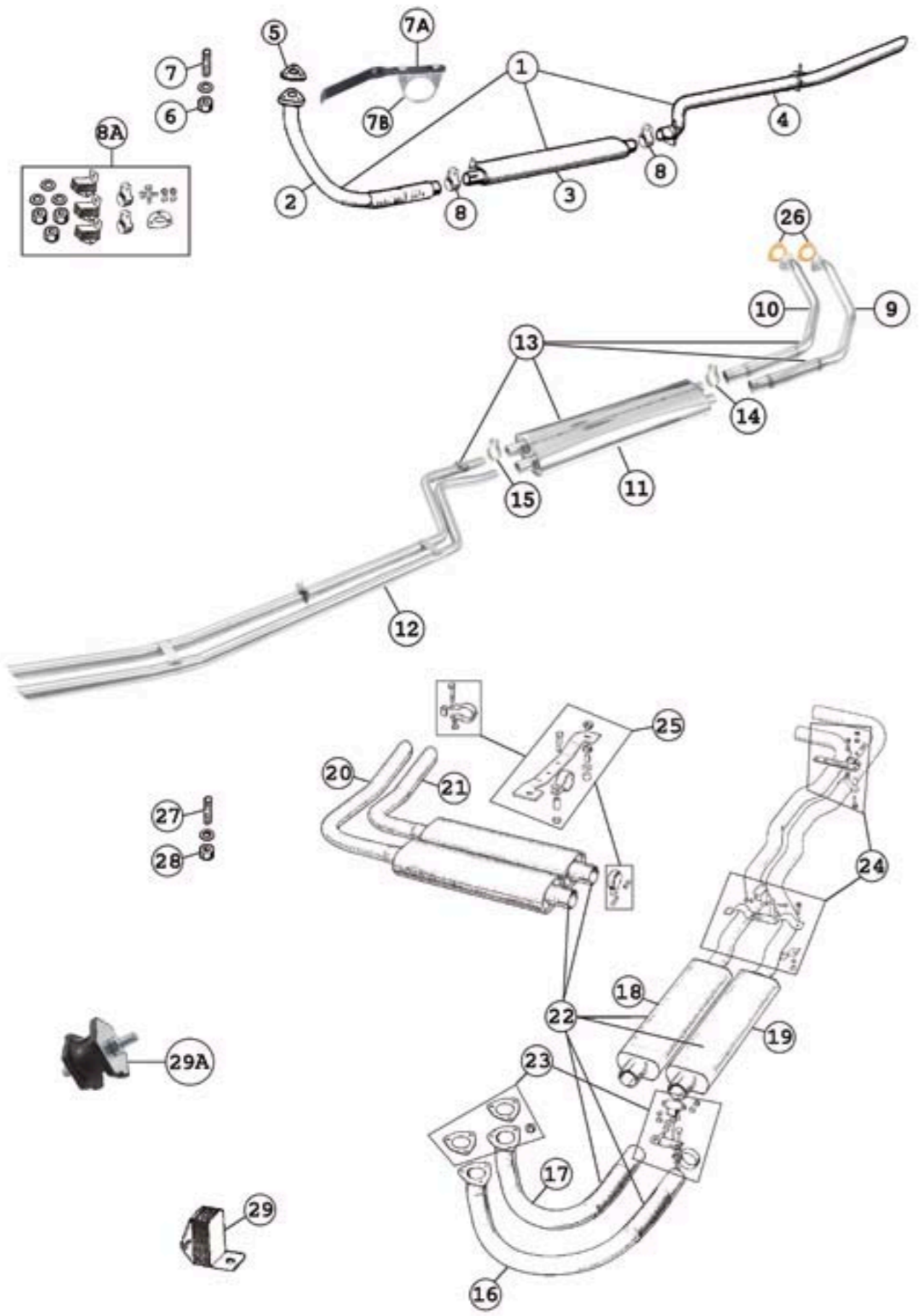


EXHAUST SYSTEM - 1



No.	Part No.	Description	Application	Notes	Price ex VAT
1	EXS101	COMPLETE SYSTEM- MILD STEEL	BN1-BN2	MILD STEEL	£135.80
2	EXS102	FRONT PIPE- MILD STEEL	BN1-BN2	MILD STEEL	£37.50
3	EXS103	SILENCER BOX- MILD STEEL	BN1-BN2	MILD STEEL	£66.95
4	EXS104	TAIL PIPE- MILD STEEL	BN1-BN2	MILD STEEL	£38.50
2	EXS105	FRONT PIPE-S.S - HIGH QUALITY	BN1-BN2	304 GRADE STAINLESS STEEL	£52.50
3	EXS106	SILENCER BOX-S.S. - HIGH QUALITY	BN1-BN2	304 GRADE STAINLESS STEEL	£95.50
4	EXS107	TAIL PIPE-S.S. - HIGH QUALITY	BN1-BN2	304 GRADE STAINLESS STEEL	£54.50
1	EXS108	COMPLETE SYSTEM-S.S. - HIGH QUALITY	BN1-BN2	304 GRADE STAINLESS STEEL	£192.50
5	EXS110	GASKET-pipe to manifold	BN1-BN2		£2.10
6	EXS111	BRASS NUT-pipe to manifold	BN1-BN2		£0.84
7	EXS112	STUD-manifold to pipe	BN1-BN2		£0.85
7A	EXS113	BRACKET - front pipe	BN1-BN2		£12.50
7B	EXS113B	CLAMP - pipe to bracket	BN1-BN2		£0.95
8	EXS114	CLAMP-1.3/4'	BN1-BN2		£2.60
8A	EXS116	EXHAUST MOUNTING KIT-S.S	BN1-BN2		£22.50
9	EXS120	FRONT PIPE-(front)MILD STEEL	BN4-BJ7	MILD STEEL	£31.95
10	EXS121	FRONT PIPE-(rear)MILD STEEL	BN4-BJ7	MILD STEEL	£31.95
11	EXS122	SILENCER BOX-MILD STEEL	BN4-BJ7	MILD STEEL	£79.95
12	EXS123	TAIL PIPE-MILD STEEL	BN4-BJ7	MILD STEEL	£65.50
13	EXS124	COMPLETE SYSTEM-MILD STEEL	BN4-BJ7	MILD STEEL	£198.50
9	EXS125	FRONT PIPE-(front)S.S. - HIGH QUALITY	BN4-BJ7	304 GRADE STAINLESS STEEL	£46.95
10	EXS126	FRONT PIPE-(rear)S.S. - HIGH QUALITY	BN4-BJ7	304 GRADE STAINLESS STEEL	£46.95
11	EXS127	SILENCER BOX-S.S. - HIGH QUALITY	BN4-BJ7	304 GRADE STAINLESS STEEL	£145.95
12	EXS128	TAIL PIPE-S.S. - HIGH QUALITY	BN4-BJ7	304 GRADE STAINLESS STEEL	£102.00
13	EXS129	COMPLETE SYSTEM-S.S. - HIGH QUALITY	BN4-BJ7	304 GRADE STAINLESS STEEL	£324.75
14	EXS130	CLAMP (1.7/8')f.pipe/silencer	BN4-BJ7		£2.60
15	EXS132	CLAMP (1.1/2')t.pipe/silencer	BN4-BJ7		£2.60
15A	EXS134	EXHAUST MOUNTING KIT-S.S	BN4-BJ7		£28.95
16	EXS140	FRONT PIPE-(front)-MILD STEEL	BJ8	MILD STEEL	£31.95
17	EXS141	FRONT PIPE-(rear)-MILD STEEL	BJ8	MILD STEEL	£31.95
18	EXS142	SILENCER & PIPE(inner)-MILD STEEL	BJ8	MILD STEEL	£88.95
19	EXS143	SILENCER & PIPE-(outer)-MILD STEEL	BJ8	MILD STEEL	£88.95
20	EXS144	REAR SILENCER-(inner)-MILD STEEL	BJ8	MILD STEEL	£62.50
21	EXS145	REAR SILENCER-(outer)-MILD STEEL	BJ8	MILD STEEL	£62.50
22	EXS146	COMPLETE SYSTEM--MILD STEEL	BJ8	MILD STEEL	£348.46
16	EXS147	FRONT PIPE-(front)S.S. - HIGH QUALITY	BJ8	304 GRADE STAINLESS STEEL	£43.50
17	EXS148	FRONT PIPE-(rear)S.S. - HIGH QUALITY	BJ8	304 GRADE STAINLESS STEEL	£43.50
18	EXS149	SILENCER & PIPE-inner-S.S. - HIGH QUALITY	BJ8	304 GRADE STAINLESS STEEL	£134.50
19	EXS150	SILENCER & PIPE-outer-S.S. - HIGH QUALITY	BJ8	304 GRADE STAINLESS STEEL	£134.50
20	EXS151	REAR SILENCER-inner-S.S. - HIGH QUALITY	BJ8	304 GRADE STAINLESS STEEL	£78.50
21	EXS152	REAR SILENCER-outer-S.S. - HIGH QUALITY	BJ8	304 GRADE STAINLESS STEEL	£78.50
22	EXS153	COMPLETE SYSTEM-S.S. - HIGH QUALITY	BJ8	304 GRADE STAINLESS STEEL	£487.35
23	EXS165	FRONT MTG.KIT-(S.S.brackets)	BJ8		£26.00
24	EXS166	INTER.MTG. KIT-(S.S.brkts)	BJ8		£32.50
25	EXS167	REAR MTG.KIT-(S.S.brkts.)	BJ8		£33.95
26	EXS170	GASKET-pipe to manifold	BN4-BJ8		£3.75
27	EXS171	STUD-manifold to pipe	BN4-BJ8		£0.59
28	EXS172	BRASS NUT-manifold to pipe	BN4-BJ8		£0.25
29	EXS173	RUBBER MOUNTING BRACKET	BN1-BJ8		£1.70
	EXS174	BOBBIN EXHAUST MOUNT	BN1-BJ8	HEAVY DUTY	£2.90



No.	Part No.	Description	Application	Notes	Price ex VAT
35	EXS190	EX. MANIFOLD-S.S (performance)	BJ8	USE WITH EXS192 & 194	£595.00
36	EXS192	SIDE EXHAUST SYSTEM-S.S	BJ8	USE WITH EXS190	£252.50
39	EXS196	SILENCER-BIG BORE-s.steel	BN4-BJ7		£127.50
40	EXS197	TAIL PIPE-BIG BORE-s.steel	BN4-BJ7		£79.95
41	EXS198	SIDE EXIT PIPE-BIG BORE-S.S	BN4-BJ7		£62.95
43	EXS200	SPORTS EXHAUST SYSTEM-S.S	BJ8		£439.50
47	EXS210	SUPER CLAMP - 40-43mm	A/R	USE.COM250	-
47	EXS211	SUPER CLAMP - 43-47mm	A/R	USE.COM251	-
47	EXS212	SUPER CLAMP - 47-51mm	A/R	USE.COM252	-
47	EXS213	SUPER CLAMP - 51-55mm	A/R	USE.COM253	-
47	EXS214	SUPER CLAMP - 55-59mm	A/R	USE.COM254	-
47	EXS215	SUPER CLAMP - 59-63mm	A/R	USE.COM255	-
47	EXS216	SUPER CLAMP - 63-68mm	A/R	USE.COM256	-
51	EXS220	TUBULAR EXHAUST MANIFOLD	BN6-BJ8	TRIPLE WEBER CARBS	£379.00
51	EXS221	TUBULAR EXHAUST MANIFOLD	BN6-BJ8	2 OR 3 SU-MILD STEEL	£419.50
55	EXS224	SIDE EXIT SILENCER SYSTEM - 2"	BN4-BJ7	USE WITH OE DOWN PIPES	£349.00
55	EXS225	SIDE EXIT SILENCER SYSTEM - 2"	BN4-BJ8	MILD STEEL 2" PIPES	£386.50
56	EXS226	RACE SIDE EXIT SILENCER SYSTEM	BN4-BJ8	MILD STEEL INC FITTINGS	£515.00
70	EXS240	100M TUBULAR EXHAUST MANIFOLD	BN1-BN2	MILD STEEL	£379.95
72	EXS242	100M SILENCER	BN1-BN2	MILD STEEL	£242.00
74	EXS244	100M REAR EXIT TAIL PIPE	BN1-BN2	MILD STEEL	£103.50
76	EXS246	100M SIDE EXIT TAIL PIPE	BN1-BN2	MILD STEEL	£38.95



These stainless steel hose clamps are the highest quality hose and exhaust clamps in the world. Their design and material specifications mean that they are not only ideally suited to the demands of motorsport high performance cars, but also standard cars.

Available for the first time from A.H. Spares; these clamps offer enormous advantages over the traditional P type hose clips.

The Super clamp uses 430 stainless steel with zinc plated high tensile bolt and thread locks. Use for the toughest hose and exhaust clamping applications.

EXS212



EXS200

These performance exhausts are a straight-through system, which makes the two rear silencers redundant creating better ground clearance. This also provides increased exhaust gas flow.

Made from high-grade stainless steel this system will definitely give you a performance and sound upgrade. It comes complete with the down pipes.