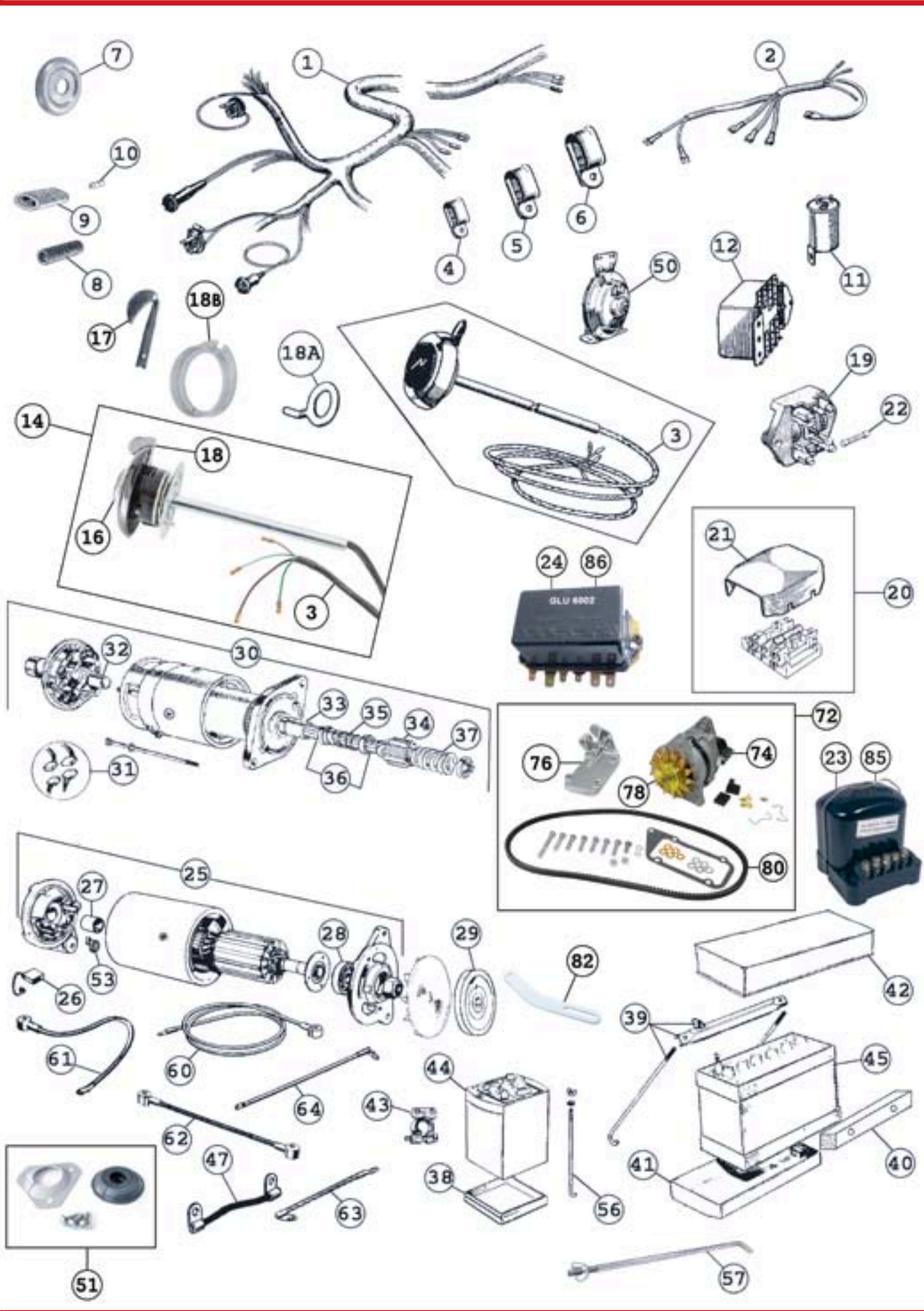
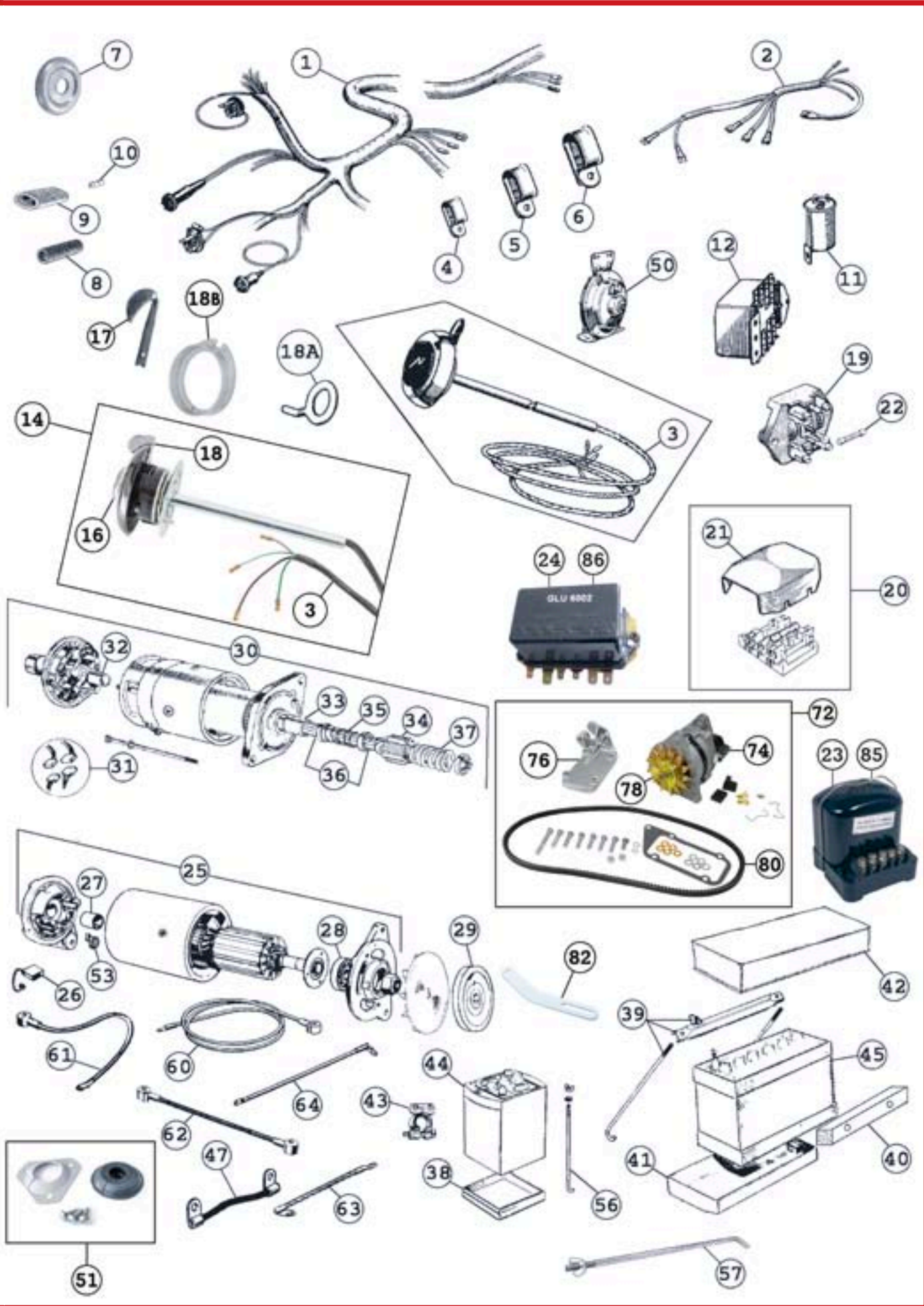


No.	Part No.	Description	Application	Notes	Price ex VAT
1	ELG110	WIRING HARNESS-cotton/pvc	BN1		£179.95
1	ELG111	WIRING HARNESS-cotton/pvc	BN2		£179.95
1	ELG112	WIRING HARNESS-cotton/pvc	BN4		£197.50
1	ELG113	WIRING HARNESS-cotton/pvc	BN6-BJ7		£197.50
1	ELG114	WIRING HARNESS-cotton/pvc	BJ8-BJ8(B)76137		£197.50
1	ELG115	WIRING HARNESS-cotton/pvc	BJ8(B)76138-ON		£197.50
1	ELG116	WIRING HARNESS-cotton/braided	BN1		£215.00
1	ELG117	WIRING HARNESS-cotton/braid	BN2		£215.00
1	ELG117S	WIRING HARNESS-cotton/braid	100S		£219.00
1	ELG118	WIRING HARNESS-cotton/braid	BN4		£245.00
1	ELG119	WIRING HARNESS-cotton/braid	BN6,BN7 & BT7		£245.00
2	ELG120	OVERDRIVE HARNESS-cotton cover	BN1		£22.95
2	ELG121	OVERDRIVE HARNESS-cotton cover	BN2-BJ7		£22.95
2	ELG122	OVERDRIVE HARNESS-cotton cover	BJ8		£22.95
3	ELG124	WIRING HARNESS-steering col.	BN1-BJ8		£24.50
4	ELG125	CLIP-wiring harness(small)	BN1-BJ8		£0.51
5	ELG126	CLIP-wiring harness(medium)	BN1-BJ8		£0.51
6	ELG127	CLIP-wiring harness(large)	BN1-BJ8		£0.51
6	ELG127A	CLIP-wiring harness	BN1-BJ8	FOR MAIN HARNESS	£1.95
7	ELG128	GROMMET-wiring harness	BN1-BJ8		£1.35
8	ELG131	CONNECTOR-single	BN1-BJ8		£0.16
9	ELG132	CONNECTOR-double	BN1-BJ8		£0.19
10	ELG133	BULLET-wiring connector	BN1-BJ8		£0.18
11	ELG136	FLASHER UNIT-screw terminals	BN1-BJ7		£6.35
11	ELG137	FLASHER UNIT-push on connector	BJ8		£3.95
12	ELG139	FLASHER RELAY	BN1-BJ8(B)76137		£65.50
14	ELG143	HORN/INDICATOR ASSY-adjustable	BN4-BJ8	ADJUSTABLE	£206.00
16	ELG147	HORN BUTTON-adj.column	BN4-BJ8		£17.95
17	ELG147A	LEVER-trafficator-black	BN1	EARLY	£16.95
18	ELG148	LEVER-trafficator-chrome	BN4-BJ8	ADJUSTABLE ONLY	£20.95
18A	ELG150	LEVER-self cancelling	BN1-BJ8	NON ADJ	£14.25
18B	ELG151	STRIKER RING - non adj trafficator	BN4-BJ8	NON ADJ	£42.50
19	ELG155	FUSE BOX	BN1-BJ7		£15.95
20	ELG156	FUSE BOX	BJ8		£9.95
21	ELG157	COVER-fuse box	BJ8		£2.20
22	ELG159	FUSE-35amp	A/R		£0.20
22	ELG160	FUSE-50amp	A/R		£0.24
23	ELG163	VOLTAGE CONTROL BOX	BN1-BJ7		£21.95
24	ELG164	VOLTAGE CONTROL BOX	BJ8		£21.25
25	ELG170	DYNAMO-rebuilt(exchange)	BN1-BJ7	EXCHANGE £150 surcharge	£215.00
25	ELG170T	ALTERNATOR - original type body-pos earth	BN1-BJ7	POSITIVE EARTH	£495.00
25	ELG170U	ALTERNATOR - original type body-pos earth	BJ8	POSITIVE EARTH	£439.00
25	ELG170X	ALTERNATOR - original type body-neg earth	BN1-BJ7	NEGATIVE EARTH	£425.00
25	ELG170Y	ALTERNATOR - original type body-neg earth	BJ8	NEGATIVE EARTH	£399.50
25	ELG171	DYNAMO-rebuilt(exchange)	BJ8	EXCHANGE £150 surcharge	£215.00
26	ELG173	DYNAMO BRUSH SET	BN1-BN6		£5.25
26	ELG174	DYNAMO BRUSH SET	BN7&BT7-BJ7		£4.50
26	ELG175	DYNAMO BRUSH SET	BJ8		£3.95

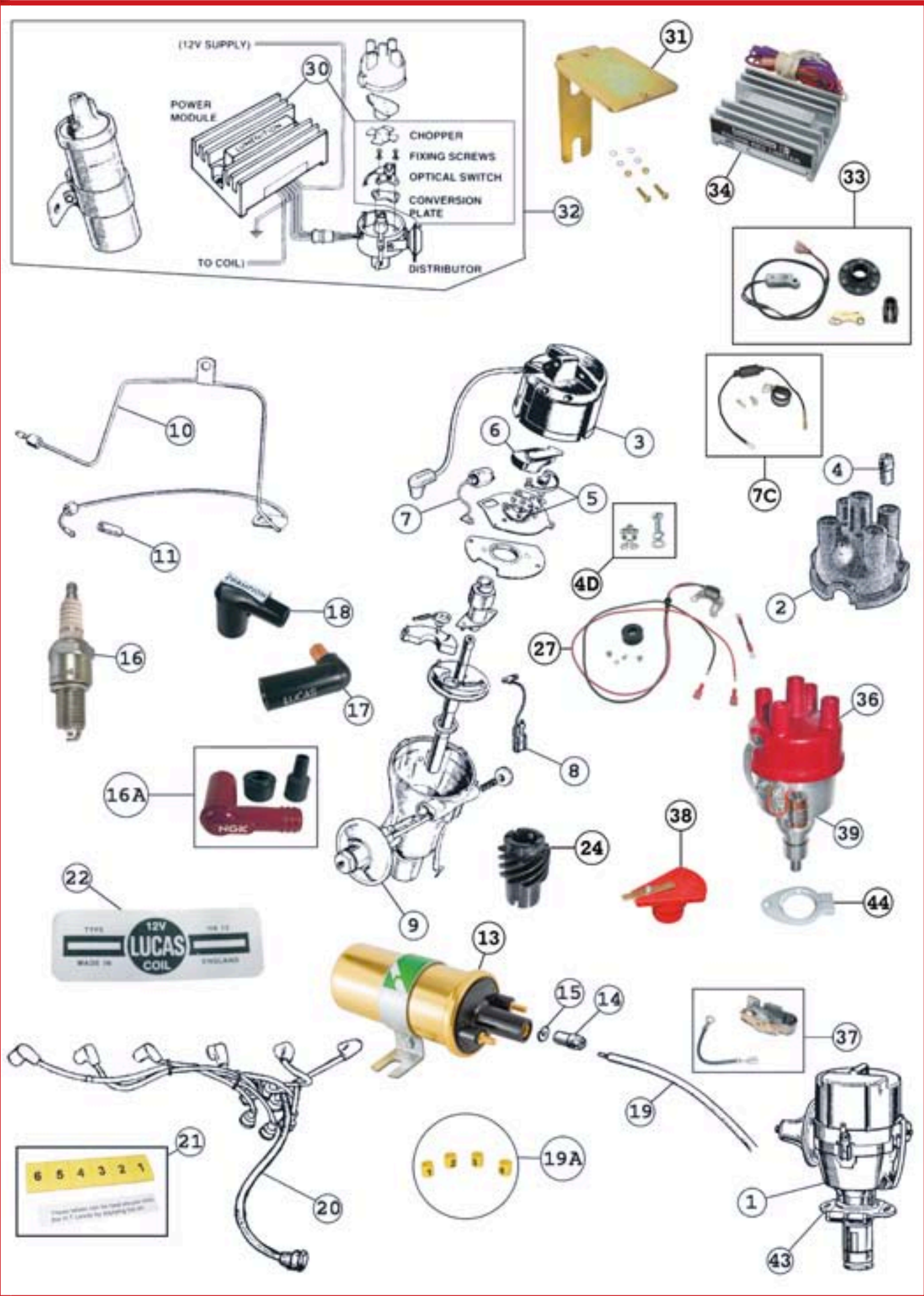


No.	Part No.	Description	Application	Notes	Price ex VAT
27	ELG177	DYNAMO BUSH-commutator end	BN1-BJ7		£2.95
27	ELG178	DYNAMO BUSH-commutator end	BJ8		£2.25
28	ELG180	DYNAMO BEARING-drive end	BN1-BJ7		£6.45
28	ELG181	DYNAMO BEARING-drive end	BJ8	USE.XELG175	-
29	ELG186	PULLEY-DYNAMO	BN1-BN2		£32.50
29	ELG188	PULLEY-DYNAMO	BJ8	1/2' PULLEY	£32.50
30	ELG190	STARTER MOTOR-rebuilt,exchange	BN1-BJ8	EXCHANGE £150 surcharge	£215.00
31	ELG191	STARTER BRUSH SET	BN1-BJ8		£4.95
32	ELG192	STARTER BUSH-commutator end	BN1-BJ8		£2.75
33	ELG193	STARTER BUSH-drive end	BN1-BJ8		£2.65
34	ELG195	STARTER PINION	BN1-BJ8		£37.25
35	ELG196	STARTER SPRING	BN1-BJ8		£1.39
37	ELG198	STARTER SPRING-pinion main	BN1-BJ8		£6.60
38	ELG200	BATTERY TRAY-6 volt	BN1-BN2 -BN6 & BN7		£22.50
38A	ELG203	BATTERY CLAMP ASSY.(non orig.)	BN1,BN2 -BN6 & BN7		£39.50
39	ELG204	BATTERY CLAMP ASSY.	BN4,BT7 -BJ7 & BJ8		£10.50
40	ELG205	BATTERY SUPPORT-wood	A/R	33CM X 7.5CM X 5CM	£19.50
40	ELG206	BATTERY SUPPORT-wood	A/R	33CM X 3CM X 2CM	£8.95
41	ELG207	BATTERY TRAY-12 volt	BN4,BT7 -BJ7 & BJ8		£17.25
42	ELG210	BATTERY COVER	BN4,BT7-BJ7 & BJ8		£7.46
43	ELG213	TERMINAL-NEGATIVE	BN1-BJ8		£3.50
43	ELG214	TERMINAL-POSITIVE	BN1-BJ8		£3.50
44	ELG216	BATTERY-6 volt-without lugs-DRY	BN1,BN2 -BN6 & BN7	NON STD	£73.95
44	ELG216UR	BATTERY-6 volt-without lugs-DRY	BN1,BN2 -BN6 & BN7	UPRATED	£89.95
45	ELG217	BATTERY-12 volt-DRY	BN4,BT7 -BJ7 & BJ8		£180.00
45	ELG217UR	BATTERY-12 volt-DRY	BN4,BT7 -BJ7 & BJ8	UPRATED	£185.00
61	ELG219	CABLE-battery to master switch	BN1-BN2		£16.95
47	ELG222	CABLE-engine earth	BN1-BJ8		£7.95
50	ELG223	HORN-low note	BN1-BJ8		£36.50
50	ELG224	HORN-high note	BN1-BJ8		£36.50
50	ELG225	HORN-low note-substitute only	BN1-BJ8	NON STANDARD	£9.95
50	ELG226	HORN-high note-substitute only	BN1-BJ8	NON STANDARD	£9.95
51	ELG227	RETAINING CAP & GROMMET-cable	BN4-BJ8		£12.95
53	ELG229	TENSION SPRING-dynamo brush-pr	BN1-BJ7		£7.95
56	ELG232	BATTERY ROD-with wing nut	BN1,BN2 -BN6 & BN7	ORIG. BATTERY	£3.50
57	ELG233	BATTERY CLAMP ROD	BN4,BT7 -BJ7 & BJ8	12 VOLT C/W WING NUT	£3.65
60	ELG235	CABLE-battery(neg) to solenoid	BN1,BN2 -BN6 & BN7		£19.95
60	ELG236	CABLE-battery(neg) to solenoid	BN4,BT7 -BJ7 & BJ8		£25.50
61	ELG237	CABLE-battery(pos) to m/switch	BN1-BN2	USE.ELG219	-
61	ELG238	CABLE-battery(pos) to m/switch	BN6,BN7		£8.95
61	ELG239	CABLE-battery(pos) to m/switch	BN4,BT7 -BJ7 & BJ8		£7.80
62	ELG240	CABLE-battery link	BN1,BN2 -BN6 & BN7		£10.50
63	ELG242	CABLE-master switch to earth	BN1,BN2		£5.50
63	ELG243	CABLE-master switch to earth	BN4-BJ8		£4.45
64	ELG245	CABLE-solenoid to starter	BN1-BJ8		£6.50
72	ELG250	ALTERNATOR KIT-45amp-complete	BN1-BN2	RECOMMEND USING ELG267 OR ELG268	£149.95
72	ELG251	ALTERNATOR KIT-45amp-complete	BN4-BJ8	USE.COM180	-
74	ELG253	ALTERNATOR-45amp	BN1-BJ8	USE.COM180A	-

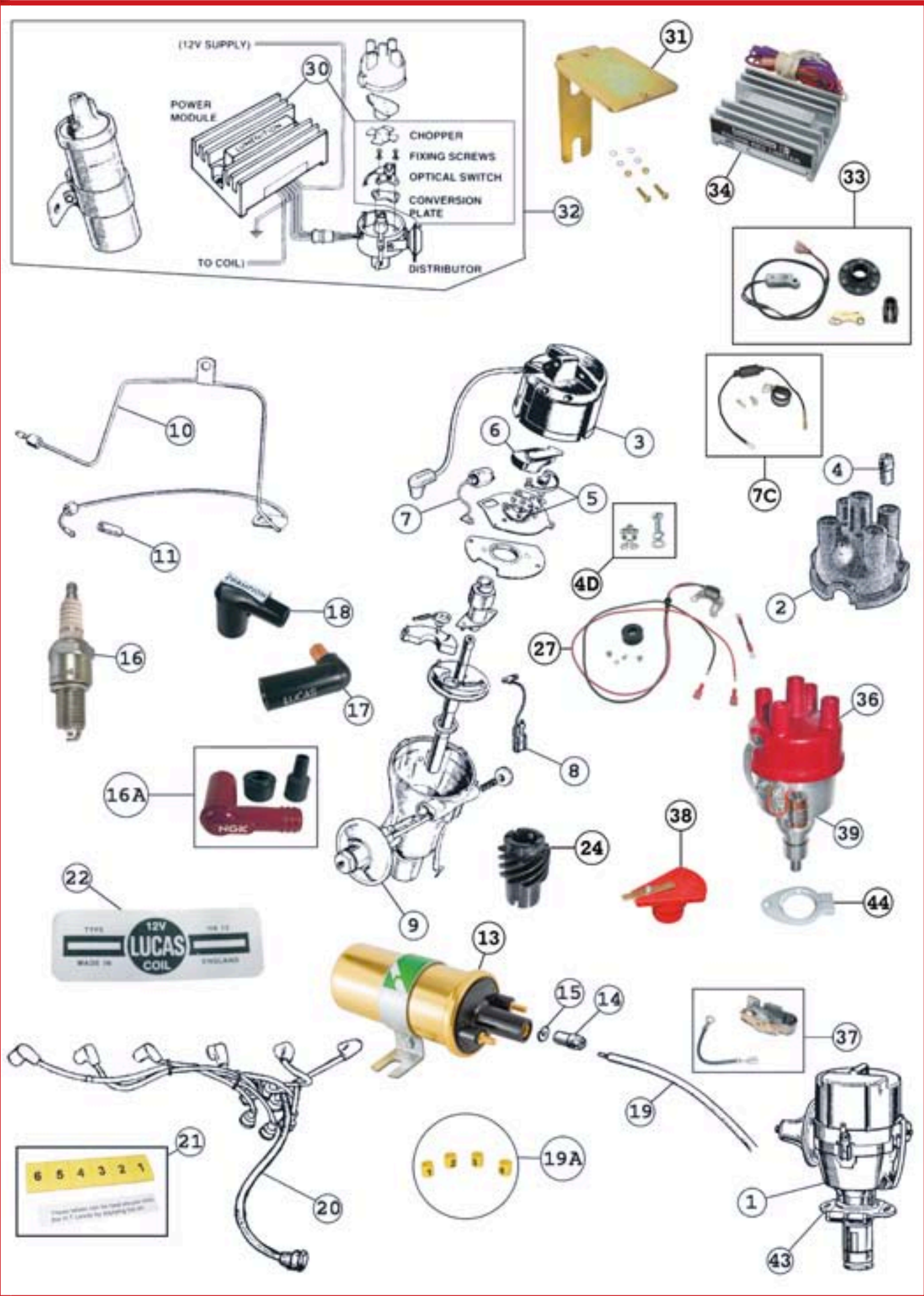


No.	Part No.	Description	Application	Notes	Price ex VAT
76	ELG255	ALTERNATOR MOUNTING BRACKET	BN1-BN2	USE.COM180C	-
76	ELG256	ALTERNATOR MOUNTING BRACKET	BN4-BJ8	USE.COM180B	-
78	ELG258	ALTERNATOR PULLEY-Wide	BN1-BN2	USE.COM180D	-
80	ELG261	ALTERNATOR BELT-narrow type	BN1-BN2	USE.COM179NA	-
80	ELG262	ALTERNATOR BELT	BN4-BJ8	USE.COM179	-
82	ELG265	RHD CAR ADJUSTING STRAP - ALTERNATOR	BN4-BJ8	USE.COM181	-
85	ELG267	DUMMY CONTROL BOX-Alternator	BN1-BJ7	WITH FUSE FOR ALTERNATOR CONV	£39.95
86	ELG268	DUMMY CONTROL BOX-Alternator	BJ8	WITH FUSE FOR ALTERNATOR CONV	£39.95





No.	Part No.	Description	Application	Notes	Price ex VAT
1	ELI101	DISTRIBUTOR(rebuilt)	BN1-BN2	OUTRIGHT SALE	£195.00
1	ELI101A	DISTRIBUTOR(rebuilt)-LE MANS	BN1-BN2	OUTRIGHT SALE	£195.00
1	ELI102	DISTRIBUTOR(rebuilt) non orig.	BN4-BJ7	OUTRIGHT SALE	£195.00
1	ELI103	DISTRIBUTOR-COMPETITION WORKS TYPE	BN7-BJ8	OUTRIGHT SALE	£195.00
1	ELI104	DISTRIBUTOR(rebuilt)	BJ8	OUTRIGHT SALE	£195.00
1	ELI109	123 IGNITION DISTRIBUTOR	BN1-BN2	NEGATIVE EARTH	£269.50
1	ELI109A	123 IGNITION DISTRIBUTOR	BN1-BN2	POSITIVE EARTH	£269.50
1	ELI109B	123 IGNITION DISTRIBUTOR	BN4-BJ7	NEGATIVE EARTH	£279.00
1	ELI109C	123 IGNITION DISTRIBUTOR	BN4-BJ7	POSITIVE EARTH	£279.00
1	ELI109D	123 IGNITION DISTRIBUTOR	BJ8	NEGATIVE EARTH	£279.00
1	ELI109E	123 IGNITION DISTRIBUTOR	BJ8	POSITIVE EARTH	£279.00
1	ELI109F	CAP- 123 IGNITION DISTRIBUTOR	BN1-BN2	PUSH IN LEADS	£22.50
1	ELI109G	CAP- 123 IGNITION DISTRIBUTOR	BN4-BJ8	PUSH IN LEADS	£29.85
1	ELI109H	ROTOR ARM - 123 IGNITION DISTRIBUTOR	BN1-BJ8		£7.50
2	ELI110	CAP-distributor	BN1-BN2	PUSH IN LEADS	£5.45
2	ELI110A	CAP-distributor-original type	BN1-BN2	SCREW IN LEADS	£12.50
3	ELI111	CAP-distributor-PREMIUM QUALITY	BN4-BJ7(E)29F3562	BRASS TERMINALS	£22.75
3	ELI112	CAP-distributor	BJ7(E)29F3563 ON		£22.75
4	ELI114	ACORN NUT-distributor cap	BN1-BN2		£0.56
4C	ELI115	SCREW - CONTACT SET	BN1-BJ8		£0.45
4D	ELI115K	SCREW KIT DISTRIBUTOR	BN1-BJ8		£0.90
5	ELI116	CONTACT SET	BN1-BN2		£8.25
5	ELI117	CONTACT SET	BN4-BJ7(E)29F3562		£5.80
5	ELI118	CONTACT SET	BJ7(E)29F3563 ON		£2.55
6	ELI120	ROTOR ARM	BN1-BN2		£2.45
6	ELI120HQ	PREMIUM QUALITY RED ROTOR ARM	BN1-BN2	HIGH QUALITY	£6.95
6	ELI121	ROTOR ARM	BN4-BJ8		£2.65
6	ELI121HQ	PREMIUM QUALITY RED ROTOR ARM	BN4-BJ8	HIGH QUALITY	£6.95
6	ELI122	ROTOR ARM - lucas type	BN4-BJ8		£4.25
7	ELI124	CONDENSER	BN1-BJ8		£1.80
7	ELI124A	CONDENSER - O.E. HIGH QUALITY	BN1-BJ8		£10.25
7C	ELI124C	CONDENSER - UP-RATED	BN1-BJ8	LUCAS/MALLORY DISTRIBUTORS	£25.95
8	ELI126	L.T TERMINAL NYLON BUSH & LEAD	BN1-BN2	LUCAR TERMINAL	£8.95
8	ELI128	L.T TERMINAL NYLON BUSH & LEAD	BJ7(E)29F3563 ON	USE.ELI128A	-
8	ELI128A	L.T TERMINAL NYLON BUSH & LEAD	BJ8		£6.95
9	ELI129	VACUUM ADVANCE UNIT	BN1-BN2		£67.50
9	ELI129A	VACUUM ADVANCE UNIT	BN1-BN2	LE-MANS	£69.50
9	ELI129B	VACUUM ADVANCE UNIT	BN4-BJ7(E)29F3562		£69.50
9	ELI130	VACUUM ADVANCE UNIT	BJ7(E)29F3563 ON		£35.60
10	ELI130F	VACUUM CONTROL PIPE	BN1-BN2		£12.95
10	ELI131	VACUUM CONTROL PIPE	BN4-MK1(E)29E-H101		£13.95
10	ELI132	VACUUM CONTROL PIPE	MK2-ALL		£9.95
10	ELI133	VACUUM CONTROL PIPE	BJ8		£4.75
11	ELI134	CONNECTION-RUBBER	MK2-MK3		£1.45
13	ELI140	COIL-ignition	BN1-BJ8	SCREW FITTING	£15.50
13	ELI141	COIL-ignition	BN4-BJ8	PUSH IN FITTING	£17.95
13	ELI141A	COIL-ignition-SPORTS	BN4-BJ8	SPORTS COIL	£20.25
13	ELI141B	COIL-ignition-FLAME THROWER	BN4-BJ8	BLACK	£47.95
13	ELI141C	COIL-ignition-FLAME THROWER	BN4-BJ8	CHROME	£49.95



No.	Part No.	Description	Application	Notes	Price ex VAT
14	ELI142	ACORN NUT-coil	BN1-BJ8		£1.20
15	ELI143	WASHER-acorn nut	BN1-BJ8		£0.34
16	ELI145	SPARK PLUG	BN1-BN2		£2.25
16	ELI145A	SPARK PLUG-NGK-high performance	BN1-BN2	USE.COM171	-
16	ELI146	SPARK PLUG	BN4-BJ8		£2.05
16	ELI146A	SPARK PLUG-NGK-high performance	BN4-BJ8	USE.COM172	-
16	ELI146B	SPARK PLUG-NGK-VX platinum	BN4-BJ8	USE.COM173	-
18	ELI147	PLUG CAP-right angle-(NGK)	A/R		£2.75
17	ELI148	PLUG CAP-rt angle-lucas type	A/R		£7.50
18	ELI149A	PLUG CAP-right angle(genuine champion)	A/R		£7.50
19	ELI150	H.T.LEAD-(per metre)	BN4-BJ8		£2.25
19	ELI150A	COMPETITION H.T. LEAD (per metre)	BN1-BJ8	USE.COM201	-
19A	ELI151	SLEEVE SET-ignition leads(1-4)	BN1-BN2		£3.95
20	ELI151A	IGNITION LEAD SET(NGK caps)	BN1-BN2		£21.95
20	ELI151C	COMPETITION IGNITION LEAD SET	BN1-BN2	USE.COM199	-
20	ELI151M	MALLORY OR 123 IGNITION LEAD SET	BN1-BN2	NGK CAPS	£35.50
20	ELI152	IGNITION LEAD SET-6 CYL.	BN4-BJ8		£22.95
20	ELI152A	IGNITION LEAD SET(NGK caps)	BN4-BJ8		£29.25
20	ELI152C	COMPETITION IGNITION LEAD SET	BN4-BJ8	USE.COM200	-
20	ELI152M	MALLORY OR 123 IGNITION LEAD SET	BN4-BJ8	NGK CAPS	£49.95
21	ELI153	SLEEVE SET-ignition leads(1-6)	BN4-BJ8		£4.95
22	ELI154	LUCAS LABEL-ignition coil	A/R		£1.75
24	ELI157	GEAR-tachometer drive	BN4-BJ7		£59.95
27	ELI180	IGNITOR IGNITION KIT-pos earth	BN1-BN2	POS. EARTH	£110.00
27	ELI181	IGNITOR IGNITION KIT-pos earth	BN4-BJ7(E)29F3562		£110.00
27	ELI182	IGNITOR IGNITION KIT-pos earth	BJ7(E)29F3563-BJ8		£100.00
27	ELI184	IGNITOR IGNITION KIT-neg earth	BN1-BN2	NEG. EARTH	£100.00
27	ELI185	IGNITOR IGNITION KIT-neg earth	BN4-BJ7(E)29F3562		£100.00
27	ELI186	IGNITOR IGNITION KIT-neg earth	BJ7(E)29F3563-BJ8		£90.00
30	ELI190	LUMENITION DISTRIBUTOR KIT	BN1-BN2		£183.00
30	ELI191	LUMENITION DISTRIBUTOR KIT	BN4-BJ7(E)29F3562		£186.00
30	ELI192	LUMENITION DISTRIBUTOR KIT	BJ7(E)29F3563-BJ8		£182.00
31	ELI195	MOUNTING BRACKET-lumenition	BN4-BJ8		£10.25
32	ELI196	LUMENITION PERFORMANCE KIT	BN1-BN2	NEGATIVE EARTH ONLY	£252.25
32	ELI197	LUMENITION PERFORMANCE KIT	BN4-BJ7(E)29F3562	NEGATIVE EARTH ONLY	£244.60
32	ELI198	LUMENITION PERFORMANCE KIT	BJ7(E)29F3563-BJ8	NEGATIVE EARTH ONLY	£249.95
33	ELI199	LUMENITION MAGNETRONIC KIT	25D6	NEGATIVE EARTH ONLY	£85.00
34	ELI200	REV LIMITER - LUMENITION	A/R	NEGATIVE EARTH ONLY	£82.95
36	ELI203	CAP-MALLORY DISTRIBUTOR	BN1-BN2		£29.50
36	ELI204	CAP-MALLORY DISTRIBUTOR	BN4-BJ8		£29.95
37	ELI205	POINTS - MALLORY DISTRIBUTOR	BN1-BJ8	2 PER CAR	£29.50
38	ELI206	ROTOR ARM - MALLORY DISTRIBUTOR	BN1-BJ8		£8.50
39	ELI207	CONDENSER - MALLORY DISTRIBUTOR	BN1-BJ8	USE.ELI124	-
43	ELI212	CLAMP-distributor	BN1-BJ8		£11.75
44	ELI213	CLAMP-STANDARD & MALLORY DISTRIBUTOR	BN1-BJ8	ALSO FOR STD DISTRIBUTORS	£28.95



No.	Part No.	Description	Application	Notes	Price ex VAT
1	ELS101	BATTERY MASTER SWITCH	BN1-BJ8		£38.50
1	ELS101D	BATTERY MASTER SWITCH-DURITE REPLACEMENT	BN1-BJ8		£24.50
3	ELS105	DIP SWITCH-headlight	BN1-BJ7		£19.95
3	ELS105L	LUCAS DIP SWITCH-headlight	BN1-BJ7	LUCAS OE TOOLING	£25.25
4	ELS106	DIP SWITCH-headlight	BJ8		£17.00
5	ELS108	HEAD/SIDELIGHT SWITCH	BN1-BJ7		£22.50
6	ELS109	HEAD/SIDELIGHT SWITCH	BJ8		£19.80
7	ELS110	IGNITION KEY&BARREL	BN1-BJ8		£6.25
8	ELS111	IGNITION KEY-BLANK(F.S.)	BN1-BJ8		£2.10
9	ELS113	IGN. SWITCH-less barrel&keys(LUCAS)	BN1-BJ7		£14.95
10	ELS114	IGN. SWITCH-less barrel&keys	BJ8		£7.45
11	ELS115	KNOB-L(original)	BN1-BJ7		£4.95
11	ELS116	KNOB-W(original)	BN1-BJ7		£4.95
11	ELS117	KNOB-L(non standard)	BN1-BJ7	NON ORIGINAL	£4.50
11	ELS118	KNOB-W(non standard)	BN1-BJ7	NON ORIGINAL	£5.50
11	ELS119	KNOB-plain	BN1-BJ8		£3.95
12	ELS123	OVERDRIVE SWITCH-dash	BN2-BJ7		£8.95
13	ELS124	OVERDRIVE SWITCH-dash	BJ8		£5.50
14	ELS130	OVERDRIVE INHIBITOR SWITCH	BN2-BJ8		£12.95
15	ELS131	THROTTLE SWITCH- overdrive	BN1-BJ8	INC LEVER	£64.50
16	ELS132	OVERDRIVE RELAY	BN1-BJ7	CAN USE ELS133	£48.95
16	ELS133	OVERDRIVE RELAY	BJ8		£21.45
17	ELS136	OVERDRIVE SOLENOID	BN1-BJ8		£32.50
17	ELS136G	OVERDRIVE SOLENOID	BN1-BJ8	GENUINE LUCAS	£75.00
17A	ELS137	GASKET - OVERDRIVE SOLENOID	BN1-BJ8		£0.75
18	ELS140	PANEL LIGHT SWITCH	BN1-BJ7	SCREW CONNECTORS	£17.95
13	ELS141	PANEL LIGHT SWITCH	BJ8	USE.ELS124	-
19	ELS144	STARTER BUTTON	BN1-BJ7		£11.50
20	ELS146	STARTER SOLENOID	BN1-BJ7		£19.95
21	ELS147	STARTER SOLENOID	BJ8		£7.75
22	ELS148	RUBBER BOOT-solenoid terminal	A/R		£1.15
23	ELS149	STOP LIGHT SWITCH-non servo	BN1-BJ7	SCREW TERMINALS	£5.95
23	ELS151	STOP LIGHT SWITCH-servo	BN4-BJ7	USE.ELS152	-
24	ELS152	STOP LIGHT SWITCH-servo	BJ8		£7.95
25	ELS155	WIPER SWITCH	BN1-BJ7		£12.25
26	ELS156	WIPER SWITCH	BJ8		£14.25
30	ELS159	MOUNTING BRACKET-dip switch	BN4-BJ7		£17.50
30	ELS160	MOUNTING BRACKET-dip switch	BJ8		£14.75
32	ELS161	LINK ROD-throttle switch	BN1-BN2		£6.95
32	ELS162	LINK ROD-throttle switch	BN4-BJ8		£8.25
33	ELS163	WASHER-link rod	BN1-BJ8		£0.10
33A	ELS163A	SPLIT PIN-link rod	BN1-BJ8		£0.10
36	ELS166	HEATER RHEOSTAT SWITCH	BN1-BN2	LUCAS REPLACEMENT TYPE	£56.50
37	ELS168	RUBBER BOOT-solenoid	BN1-BJ8		£12.75
39	ELS170	HAZARD WARNING KIT	BN1-BJ8	NEGATIVE EARTH	£28.50