

No.	Part No.	Description	Application	Notes	Price ex VAT
1	CHT101	RADIATOR-rebuilt(exchange)	BN1-BN2	£250 surcharge	£229.50
1	CHT101A	RADIATOR-new-outright sale	BN1-BN2	HIGH PERFORMANCE	£495.00
1	CHT101C	RADIATOR-aluminium	BN1-BN2	HIGH PERFORMANCE	£745.00
1A	CHT101D	SUPPORT BRKTS LOWER - PR	BN1-BN2	SOLD AS A PAIR	£11.50
1B	CHT101E	SUPPORT BRKT FRONT - RH	BN1-BN2	WITH PROP BRKT	£21.85
1C	CHT101F	SUPPORT BRKT FRONT - LH	BN1-BN2		£9.50
2	CHT102	RADIATOR-rebuilt(exchange)	BN4-BJ8	£200 surcharge	£225.00
2	CHT102A	RADIATOR-new-outright sale	BN4-BJ8	HIGH PERFORMANCE	£374.95
2	CHT102C	RADIATOR-aluminium	BN4-BJ8	HIGH PERFORMANCE	£525.00



These aluminium radiators are made from the same press tooling as our uprated brass radiators CHT101A so they look the same as the originals.

They have the same cooling benefits as the uprated radiators but giving a weight saving of around 5kgs. They are also made with the correct fitting so that the original temperature gauge can be used.

CHT101C



Manufactured by A.H. Spares Ltd these radiators give an extra 25% cooling capability without any noticeable change in design to the original.

Fitted with a special core developed by ourselves with extra cooling tubes and fins; making it a very worthwhile upgrade to your cooling system.

CHT102A

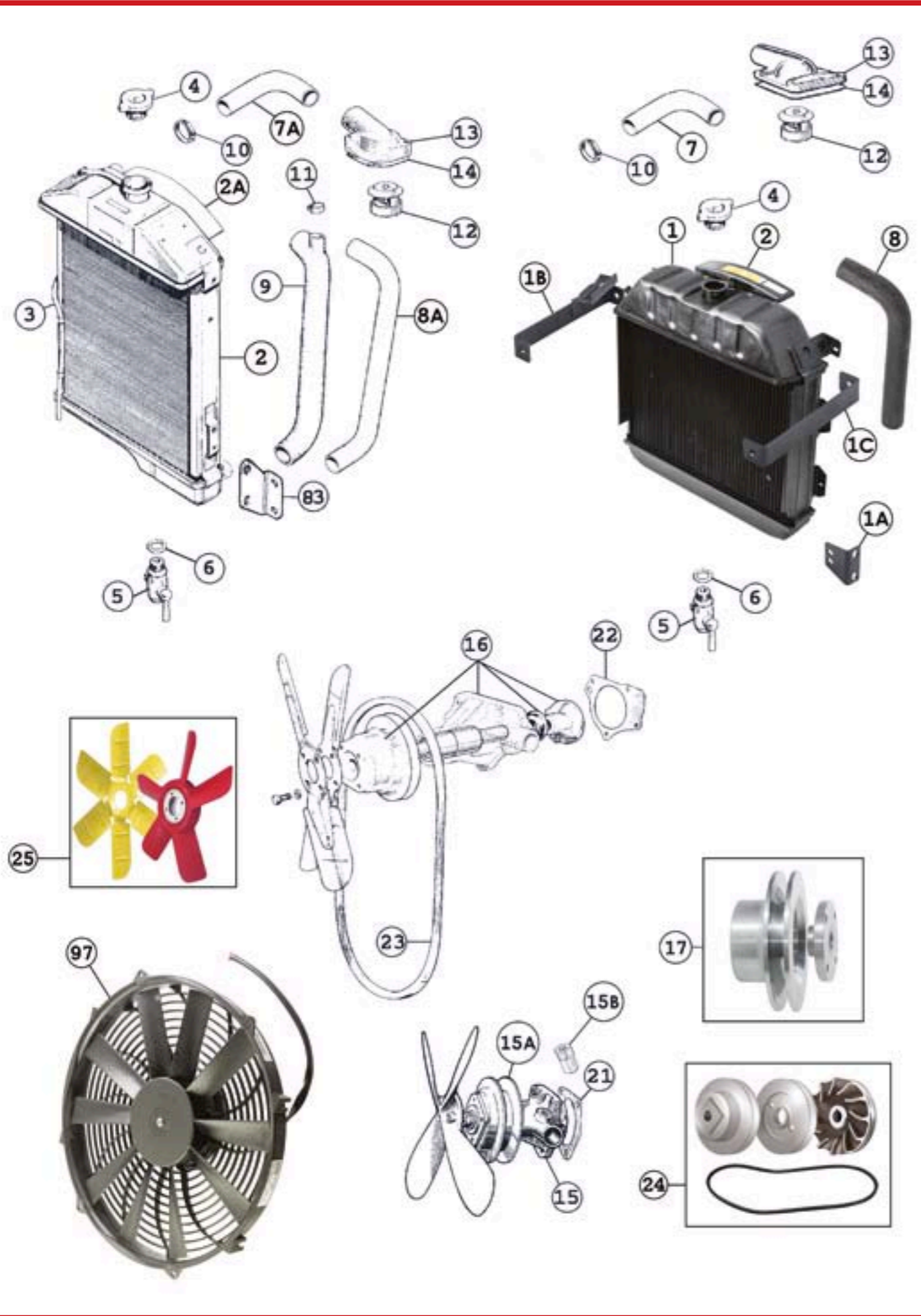


These aluminium radiators are made from the same tooling as our uprated brass radiators CHT102A so they look the same as the originals.

They have the same cooling benefits as the uprated radiators but giving a weight saving of around 3kgs.

CHT102C

2A	CHT103	FAN GUARD-radiator	BN4-BJ8		£8.95
3	CHT104	PIPE-overflow-radiator	BN1-BJ8		£2.20
4	CHT105	CAP-radiator-7 lbs	BN1-BN2		£3.50
4	CHT106	CAP-radiator	BN4-BJ8	USE.CHT105	-
4	CHT107	CAP-radiator-10 lbs	LATE BJ8		£5.95
5	CHT108	DRAIN TAP	BN1-BJ8		£15.95
6	CHT109	WASHER-drain tap	BN1-BJ8		£0.27
7	CHT110	TOP HOSE	BN1-BN2		£4.45
7	CHT110K	TOP HOSE-KEVLAR	BN1-BN2	HAND MADE IN UK	£13.50
7A	CHT111	TOP HOSE	BN4-BJ8		£3.95
7A	CHT111K	TOP HOSE-KEVLAR	BN4-BJ8	HAND MADE IN UK	£11.50
8	CHT112	BOTTOM HOSE	BN1-BN2		£6.15
8	CHT112K	BOTTOM HOSE-KEVLAR	BN1-BN2	HAND MADE IN UK	£14.95
8A	CHT113	BOTTOM HOSE	BN4-BJ8	WITHOUT HEATER	£7.25
8A	CHT113K	BOTTOM HOSE-KEVLAR	BN4-BJ8	WITHOUT HEATER	£18.50
9	CHT114	BOTTOM HOSE(with heater)	BN4-BJ8		£13.50
9	CHT114K	BOTTOM HOSE(with heater)-KEVLAR	BN4-BJ8	HAND MADE IN UK	£20.95
10	CHT115	CLIP-hose	BN1-BJ8	JUBILEE TYPE	£0.65
10	CHT115A	CLIP-hose	BN1-BJ8	WIRE TYPE	£0.80
10	CHT115B	CLIP-hose	BN1-BN6	PIN & STRIP TYPE	£5.50



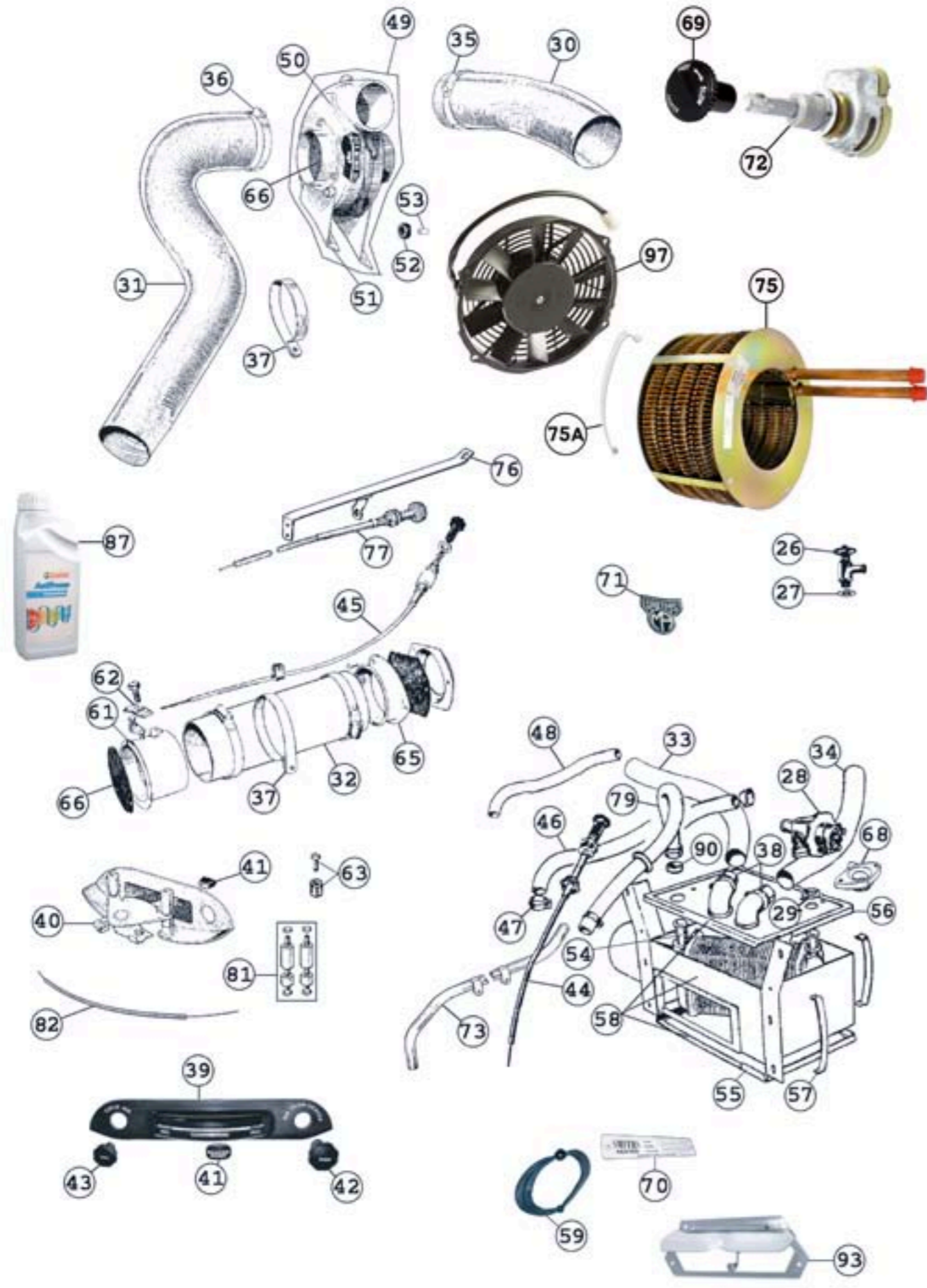
No.	Part No.	Description	Application	Notes	Price ex VAT
11	CHT116	CLIP-heater take off	BN1-BJ8	USE.CHT181	-
12	CHT118	THERMOSTAT(74degree C)	BN1-BN2		£3.45
12	CHT119	THERMOSTAT-(82degree C)	BN4-BJ8		£2.95
13	CHT120	HOUSING-thermostat	BN4-BJ8		£12.45
13	CHT120A	HOUSING-thermostat	BN1-BN2		£35.75
14	CHT121	GASKET-thermostat housing	BN4-BJ8		£0.65
14	CHT122	GASKET-thermostat housing	BN1-BN2		£0.85
15	CHT124	WATER PUMP-(new)	BN1-BN2		£40.95
15A	CHT124A	PULLEY-water pump	BN1-BN2		£48.95
15A	CHT124ANA	PULLEY-water pump - NARROW BELT TYPE	BN1-BN2	3/8" PULLEY	£78.50
15B	CHT124B	TUBE NUT-water pump mtg	BN1-BN2		£5.70
16	CHT126	WATER PUMP-3/8' pulley	BN4-BJ8		£47.95
16	CHT128	WATER PUMP-1/2'pulley	BJ8		£47.95
17	CHT129C	ALUMINIUM WATER PUMP PULLEY-deep V	BN4-BJ8	DEEP "V" PRESS ON	£53.95
21	CHT135	GASKET-water pump	BN1-BN2		£0.85
22	CHT136	GASKET-water pump	BN4-BJ8		£0.65
23	CHT137	FAN BELT	BN1-BN2		£7.25
23	CHT138	FAN BELT	BN4-BN6		£4.50
23	CHT139	FAN BELT(3/8')	BN7&BT7-BJ8		£5.70
23	CHT140	FAN BELT(1/2')	BJ8		£5.70
24	CHT141	NARROW BELT CONVERSION KIT	BN1-BN2	CONVERTS TO 3/8" BELT	£185.00
25	CHT143	FAN-cooling(6 blade metal)	BN1-BN2		£54.95
25	CHT146	FAN-cooling(6 blade metal)	BN4-BJ8		£52.50
25	CHT146A	FAN-cooling(5 blade plastic)	BN1-BN2		£37.50
25	CHT147	FAN-cooling(5 blade plastic)	BN4-BJ8		£36.50



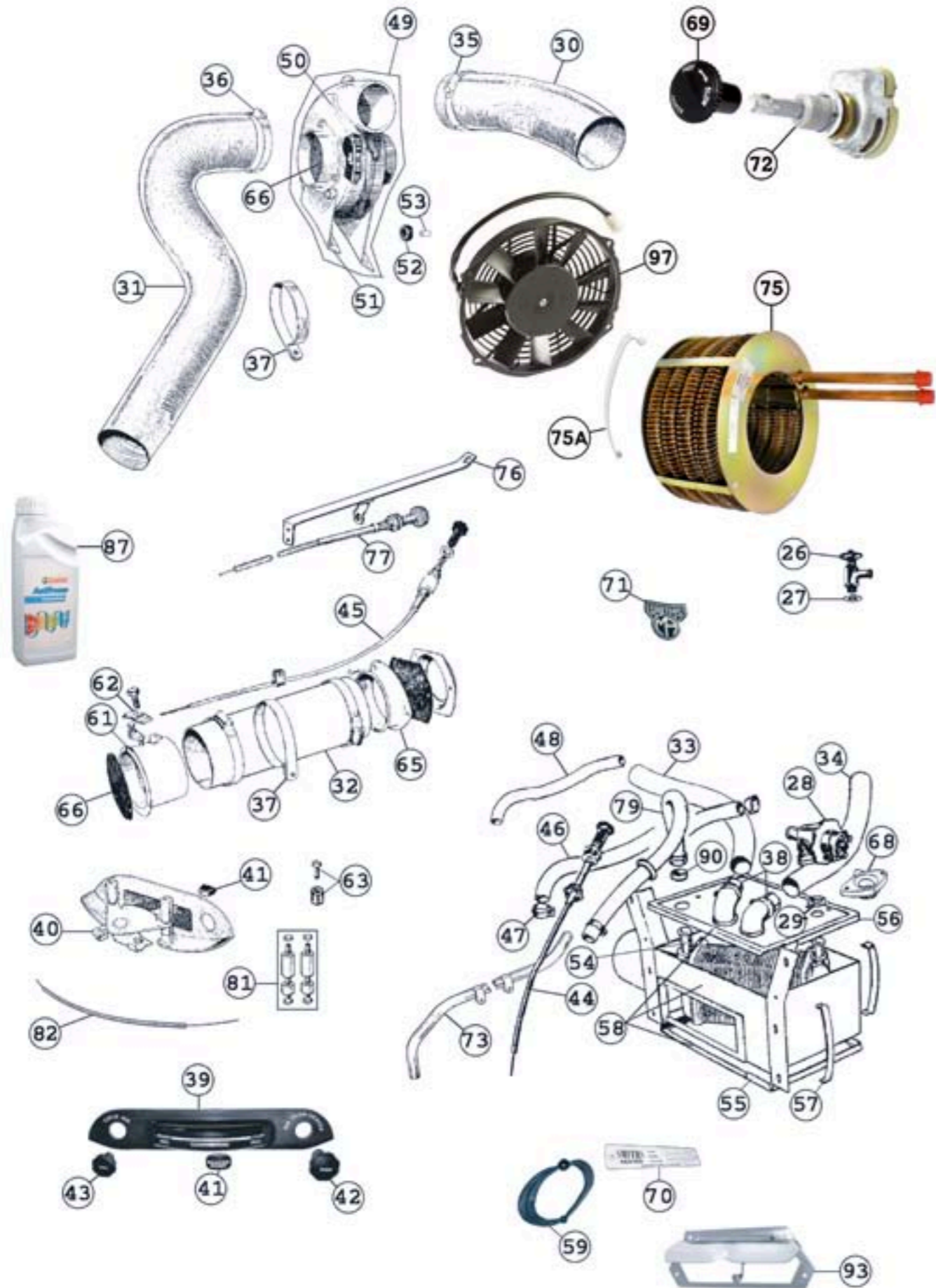
CHT146A & CHT147

These five bladed harmonically balanced cooling fans are especially manufactured for the Austin Healey, and are made specifically to fit without the need for modification.

Their design greatly reduces noise, increases air flow and they will also stand up to higher revs.



No.	Part No.	Description	Application	Notes	Price ex VAT
26	CHT148	HEATER CONTROL TAP	BN1-BN2		£19.95
27	CHT149	WASHER-heater control tap	BN1-BN2		£0.49
28	CHT150	WATER VALVE-heater	BN4-BJ8		£17.50
29	CHT151	'O' RING-heater valve	BN4-BJ8		£0.25
30	CHT155	HEATER TRUNKING(3.1/4"diam)	BN4-BJ8		£24.50
31	CHT156	HEATER TRUNKING(4" diam.)	BN4-BJ8		£26.50
32	CHT157	COLD AIR TRUNKING(4" diam.)	BN1-BJ8		£28.50
33	CHT157A	DEMISTER TRUNKING(14' long)	BN1-BN2		£6.95
33	CHT158	DEMISTER TRUNKING(1.1/2')R/H	BN4-BJ8		£5.50
34	CHT158A	DEMISTER TRUNKING(12' long)	BN1-BN2		£6.95
34	CHT159	DEMISTER TRUNKING(1.1/2')(L/H)	BN4-BJ8		£5.50
35	CHT160	CLIP(3.1/4')trunking	BN4-BJ8	JUBILEE TYPE	£1.15
35	CHT160A	CLIP(3.1/4')trunking	BN4-BJ8	CLIP TYPE	£2.45
36	CHT161	CLIP(4')trunking	BN1-BJ8	JUBILEE TYPE	£1.95
36	CHT161A	CLIP(4')trunking	BN1-BJ8	CLIP TYPE	£6.95
37	CHT163	CLAMP-air trunking to body	BN4-BJ8		£2.40
38	CHT165	ELBOW-demister tube to heater	BN4-BJ8		£5.48
39	CHT170	CONTROL PANEL-heater	BN4-BJ8		£7.50
40	CHT171	HEATER SWITCH	BN4-BJ8		£31.95
41	CHT172	KNOB-heater control(boost)	BN4-BJ8		£4.20
42	CHT175	KNOB-push,heater control	BN4-BJ8		£4.60
43	CHT176	KNOB-pull,cold air	BN4-BJ8		£4.60
44	CHT177	CABLE-air to heater	BN4-BJ8		£19.95
45	CHT178	CABLE-fresh air intake	BN4-BJ8		£19.95
46	CHT180	HEATER HOSE-1/2'(per foot)	A/R		£1.95
47	CHT181	CLIP(1/2')-heater hose	A/R	JUBILEE TYPE	£0.65
47	CHT181A	CLIP(1/2')-heater hose	A/R	CLIP TYPE	£0.89
47	CHT181B	CLIP(1/2')-heater hose	BN1-BN2	ORIGINAL TYPE	£2.75
48	CHT182	HOSE-5/8'(per foot)	A/R		£1.35
49	CHT190	HEATER BLOWER ASSY-complete	BN4-BJ8		£245.00
50	CHT191	CASING-HEATER BLOWER	BN4-BJ8		£44.50
51	CHT193	BRACKET-heater blower	BN4-BJ8		£4.95
52	CHT194	GROMMET-blower mounting	BN4-BJ8		£1.35
53	CHT195	SPACER-blower grommet	BN4-BJ8		£0.54
54	CHT196	HEATER RADIATOR	BN4-BJ8		£126.50
55	CHT197	HEATER BOX-bottom	BN4-BJ8		£15.95
56	CHT198	HEATER BOX-top	BN4-BJ8		£16.95
57	CHT199	SPRING CLIP-heater unit	BN4-BJ8		£1.50
58	CHT199C	HEATER UNIT CASE-COMplete	BN4-BJ8	LESS RADIATOR	£220.00
59	CHT200	RUBBER SEAL-air valve inlet	BN4-BJ8		£4.99
61	CHT200A	AIR INTAKE ASSY-includes valve	BN1-BN2		£59.50
61	CHT201	AIR INTAKE ASSY-includes valve	BN4-BJ8		£64.50
62	CHT202	CABLE CLAMP	BN4-BJ8		£1.45
63	CHT203	TRUNNION & SCREW	BN4-BJ8		£1.43
65	CHT205	FLANGE-air intake -rear	BN4-BJ8		£5.95
66	CHT206	WIRE MESH - air intake	BN4-BJ8	STAINLESS STEEL	£3.15
68	CHT210	PLATE-heater valve connecting	BN4-BJ8		£8.75
69	CHT211	KNOB-heater control	BN1-BN2	U/W ORIGINAL SWITCH	£5.95
69	CHT211A	KNOB-heater control	BN1-BN2	U/W AFTERMARKET ELS166	£3.95



No.	Part No.	Description	Application	Notes	Price ex VAT
70	CHT212	PLATE-Smiths heater	A/R		£2.15
71	CHT213	DECAL-Smiths heater	BN1-BN2		£5.95
72	CHT213A	HEATER RHEOSTAT SWITCH	BN1-BN2	USE.ELS166	-
73	CHT214	WATER PIPE - copper	BN1-BN2		£31.95
73	CHT214A	WATER PIPE - copper	BN4 TO ENG.40500		£31.50
73	CHT215	WATER PIPE-copper	BN4 LATE-BJ8		£34.95
75	CHT217	RADIATOR UNIT-heater	BN1-BN2		£294.50
75A	CHT217A	SPRING CLIP-heater body	BN1-BN2		£7.25
76	CHT218	BRACKET-cold air control mtg	BN1-BN2		£19.95
77	CHT219	CABLE & KNOB-fresh air control	BN1-BN2		£31.50
79	CHT221	HOSE-heater to engine	BN4-BJ8		£10.95
81	CHT223	SPACER SET-heater switch	BN4-BJ8		£8.70
82	CHT224	CONTROL CABLE - heater valve	BN4-BJ8		£5.50
83	CHT225	BRACKETS-(PR)-radiator	BN4-BJ8		£10.60
87	CHT230	CASTROL ANTI FREEZE - 1 litre	A/R	USE.LUB250	-
90	CHT233	GROMMET HEATER RAD TO W/PIPE	BN4-BJ8		£0.82
93	CHT236	HEATER OUTLET-FOOTWELL	BN4-BJ8	STAINLESS STEEL	£19.95
97	CHT240	REVOTEC FAN & FITTING KIT-POSITIVE EARTH	BN1-BN2	USE.ACC204	-
97	CHT241	REVOTEC FAN & FITTING KIT-POSITIVE EARTH	BN4-BJ8	USE.ACC205	-
97	CHT242	REVOTEC FAN & FITTING KIT-NEGATIVE EARTH	BN1-BN2	USE.ACC204N	-
97	CHT243	REVOTEC FAN & FITTING KIT-NEGATIVE EARTH	BN4-BJ8	USE.ACC205N	-

