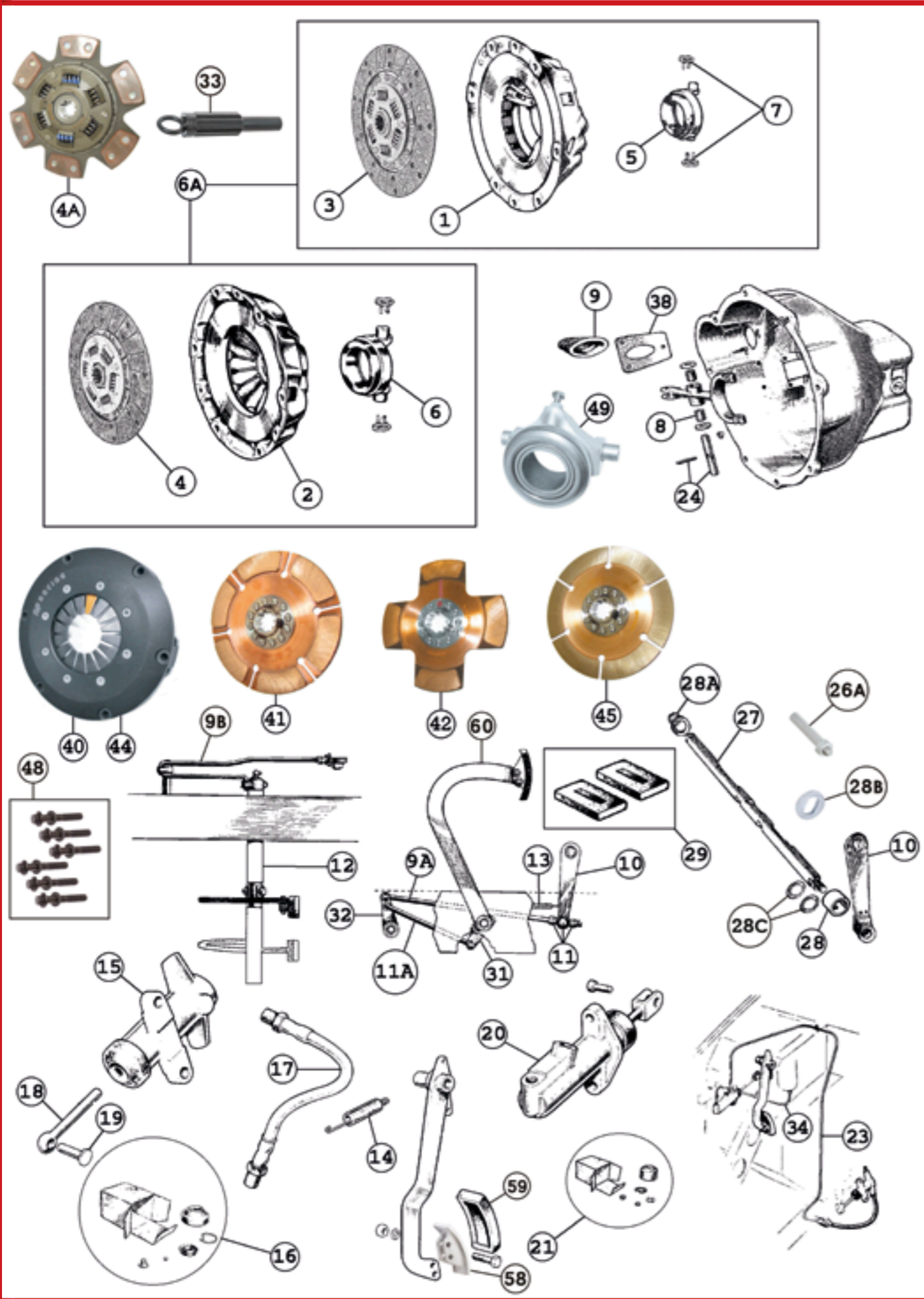


CLUTCH



No.	Part No.	Description	Application	Notes	Price ex VAT
1	CLU101	COVER ASSY.-9'	BN1-BN6	GENUINE AP	£98.50
1	CLU102	COVER ASSY.-10'	BN7-BJ7(E)29F4878	GENUINE AP	£93.50
2	CLU103	COVER ASSY.-9.1/2'	BJ7(E)29F4879-BJ8	GENUINE AP	£85.50
2	CLU104	COVER ASSY.-9.1/2' - AP RACING	A/R	FAST ROAD/SPRINT/MILD RALLY	£200.00
2	CLU104R	COVER ASSY.-9.1/2' - AP RACING	A/R	RALLY/RACE	£235.00
3	CLU105	DRIVEN PLATE	BN1		£74.95
3	CLU106	DRIVEN PLATE	BN2-BN6	GENUINE AP	£49.95
3	CLU107	DRIVEN PLATE	BN7-BJ7(E)29F4878	GENUINE AP	£59.50
4	CLU108	DRIVEN PLATE	BJ7(E)29F4879-BJ8	GENUINE AP	£48.50
4	CLU108HD	DRIVEN PLATE.-9.1/2'-AP RACING	A/R	HEAVY DUTY-ORGANIC	£165.00
4A	CLU108P	PADDLE DRIVEN PLATE - AP RACING	A/R	6 PADDLE RALLY/RACE	£212.50
5	CLU109	RELEASE BEARING	BN1		£19.25
5	CLU109AP	RELEASE BEARING-AP	BN1	GENUINE AP	£37.50
5	CLU110	RELEASE BEARING	BN2-BN6		£17.25
5	CLU110AP	RELEASE BEARING-AP	BN2-BN6	GENUINE AP	£40.50
5	CLU111	RELEASE BEARING	BN7-BJ7(E)29F4878		£14.75
5	CLU111AP	RELEASE BEARING-AP	BN7-BJ7(E)29F4878	GENUINE AP	£36.50
6	CLU112	RELEASE BEARING	BJ7(E)29F4879-BJ8		£29.95
6	CLU112AP	RELEASE BEARING-AP	BJ7(E)29F4879-BJ8	GENUINE AP	£35.50
6A	CLU113A	CLUTCH KIT - AP	BN2-BN6	GENUINE AP	£182.50
6A	CLU113B	CLUTCH KIT - AP	BN7-BJ7(E)29F4878	GENUINE AP	£189.00
6A	CLU113C	CLUTCH KIT - AP	BJ7(E)29F4879-BJ8	GENUINE AP	£168.50
6A	CLU113HD	CLUTCH KIT - HEAVY DUTY-AP	BN4-BJ8	9.1/2" BJ8 TYPE	£173.50
7	CLU115	CLIP-release bearing	BN1-BJ8		£0.70
8	CLU118	BUSH-release fork	BN4-BJ8		£0.99
9	CLU120	GAITER-clutch release fork	BN4-BJ8		£3.50
9A	CLU123	CONNECTING ROD-clutch	BN1-BN2	ADJUSTABLE	£28.50
9B	CLU123HD	HEAVY DUTY CLUTCH LINKAGE	BN1-BN2		£64.95
10	CLU124	LEVER-operating	BN1-BN2		£15.25



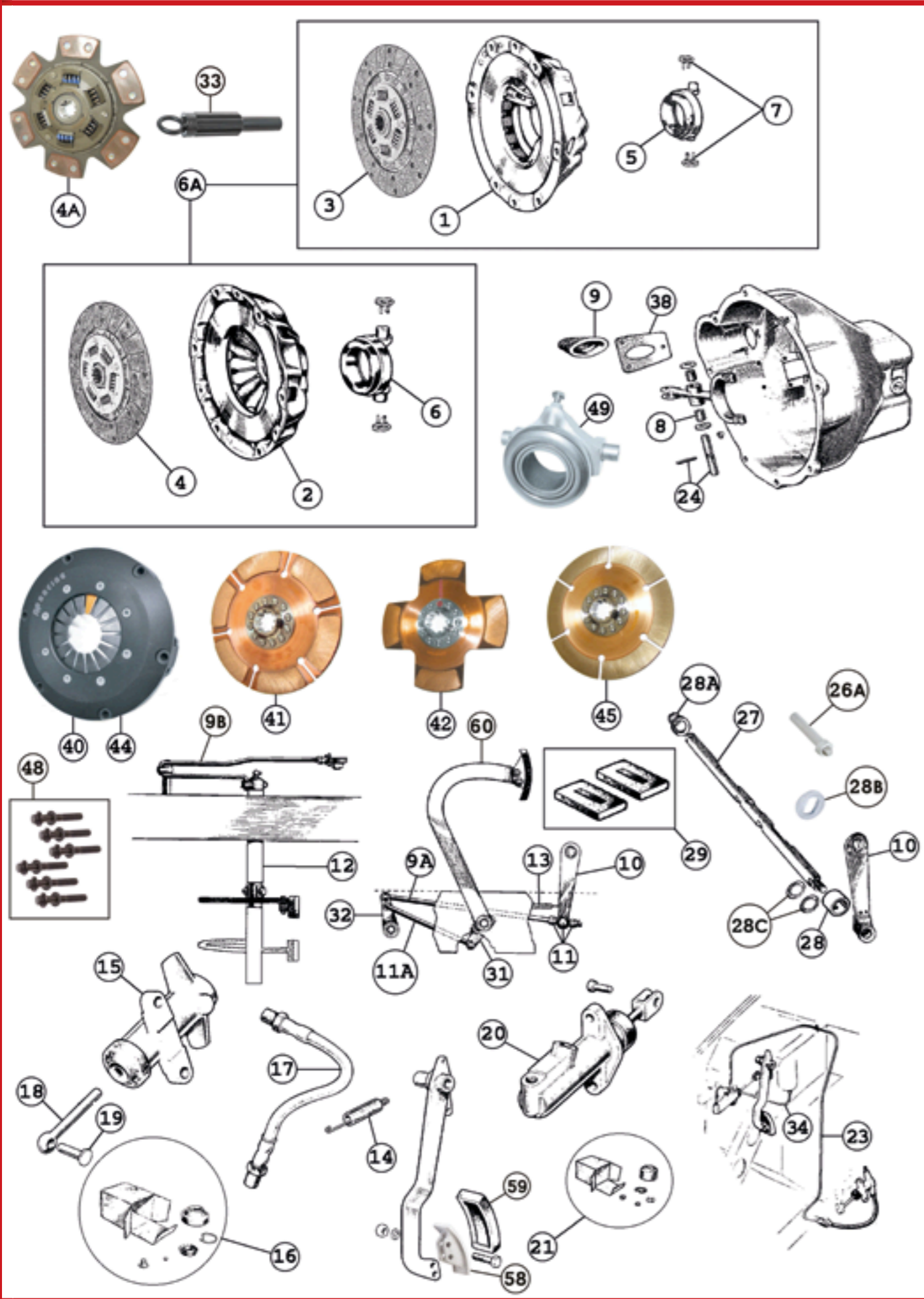
CLU123HD

Up-rated levers and rods coupled with high quality ball joints eradicates the notorious weak spot, plus giving a noticeable smoother clutch operation.

An improved driving experience is achieved by reduced free play in the linkage. It is a direct replacement for the original mechanical linkage so there is no need for any modifications. Also includes CLU125 Trunnion assy.

11	CLU125	TRUNNION ASSY.-operating lever	BN1-BN2	TRUNNION + NUTS	£13.95
11A	CLU126	CONNECTING ROD-clutch	BN1-BN2	NON ADJUSTABLE	£27.95
12	CLU127	PEDAL SHAFT-brake&clutch-LHD	BN1-BN2	L.H.D	£42.50
12	CLU128	PEDAL SHAFT-brake&clutch-RHD	BN1-BN2	R.H.D	£42.50
13	CLU129	RETURN SPRING-clutch pedal	BN1-BN2		£1.75
14	CLU130	RETURN SPRING-clutch pedal	BN4-BJ8		£5.95
15	CLU133	SLAVE CYLINDER	BN4-BJ8	REPRODUCTION	£32.50
16	CLU134	REPAIR KIT-slave cylinder	BN4-BJ8	REPRODUCTION	£3.35

CLUTCH



No.	Part No.	Description	Application	Notes	Price ex VAT
17	CLU135	HOSE-flexible hydraulic	BN4-BJ8		£4.90
17	CLU135A	HOSE-hydraulic-s.steel braid	BN4-BJ8	GOODRIDGE BRAND	£19.95
17	CLU135G	HOSE-flexible hydraulic	BN4-BJ8	GIRLING	£12.75
18	CLU136	PUSH ROD-slave cylinder	BN4-BJ8		£5.35
19	CLU137	CLEVIS PIN-push rod	BN4-BJ8		£1.15
20	CLU138	MASTER CYLINDER	BN4-BN4.48862		£59.95
20	CLU139	MASTER CYLINDER(use BRK110)	BN4-BN4.48863-BJ8	USE.BRK110	-
21	CLU140	REPAIR KIT-master cyl.(BRK114)	BN4-BJ8	USE.BRK114	-
23	CLU142	CLUTCH PIPE - R.H.D	BN4-BJ8	M/CYL TO HOSE	£10.85
23	CLU143	CLUTCH PIPE - L.H.D	BN4-BJ8	M/CYL TO HOSE	£12.50
24	CLU145	SHAFT-clutch fork	BN4-BJ8		£12.50
24	CLU146	REPAIR KIT - clutch fork	BN4-BJ8	INC SHAFT, TAPERED PIN, BUSHING	£49.95
26A	CLU149A	COTTER PIN - clutch fork	BN1-BN2		£1.10
27	CLU150	SHAFT-clutch operating-r.h.d	BN1	R.H.D	£79.95
27	CLU151	SHAFT-clutch operating-l.h.d	BN1	L.H.D	£79.95
27	CLU152	SHAFT-clutch operating-r.h.d	BN2	R.H.D	£59.50
27	CLU153	SHAFT-clutch operating-l.h.d	BN2	L.H.D	£59.50
28	CLU154	BUSH-clutch shaft	BN1-BN2		£8.25
28A	CLU154A	CIRCLIP-clutch shaft	BN1-BN2		£0.45
28B	CLU154B	WASHER - lever clutch operating shaft	BN1-BN2		£6.95
28C	CLU154C	SHIM.005' - clutch operating shaft	BN1-BN2		£1.10
28C	CLU154D	SHIM.010' - clutch operating shaft	BN1-BN2		£1.10
29	CLU155	DUST EXCLUDERS-(PR)-pedals	BN1-BN2		£7.50
31	CLU157	LEVER - clutch operating rods	BN1-BN2		£42.50
32	CLU158	LEVER - clutch operating rods	BN1-BN2		£42.50
33	CLU160	ALIGNMENT TOOL-clutch plate	BN2-BJ8		£3.80
34	CLU162	PIPE-reservoir to m/cyl-R.H.D	BN4-BJ8	USE.BRK248	-
34	CLU163	PIPE-reservoir to m/cyl-L.H.D	BN4-BJ8	USE.BRK248A	-
38	CLU168	PLATE-SEAL RETAINING	BN4-BJ8		£10.95
40	CLU170	COMPETITION CLUTCH COVER-7.1/4'	A/R	RALLY/RACE-AP RACING	£485.00
41	CLU171	6 PADDLE DRIVE PLATE-AP RACING	A/R	U/W CLU170-CERAMETALLIC	£129.00
42	CLU172	4 PADDLE DRIVE PLATE-AP RACING	A/R	U/W CLU170-CERAMETALLIC	£145.00
44	CLU175	COMPETITION CLUTCH COVER-7.1/4'	A/R	FULL RACE-AP RACING	£499.00
45	CLU176	SINTERED RACE PLATE-7.1/4'-AP RACING	A/R	U/W CLU175 FULL RACE	£84.50
48	CLU179	BOLT KIT - COMP CLUTCH COVER-7.1/4'	A/R	ARP TYPE	£34.50
49	CLU180	RELEASE BEARING-BALL RACE	BN4-BJ8	COMPETITION TYPE	£98.50
58	CLU189	PEDAL PAD - clutch OFFSET	BN1-BJ8	ALUMINIUM	£17.95
59	CLU190	PEDAL RUBBER - clutch	BN1-BJ8	USE.BRK300	-
60	CLU191	CLUTCH & BRAKE PEDAL SET -RHD	BN1-BN2	RHD CARS	£118.50



These genuine AP clutches have been produced from O.E. tooling and are made from only the highest quality components, ensuring these parts can perform when pushed to the absolute limit.
All AP Parts