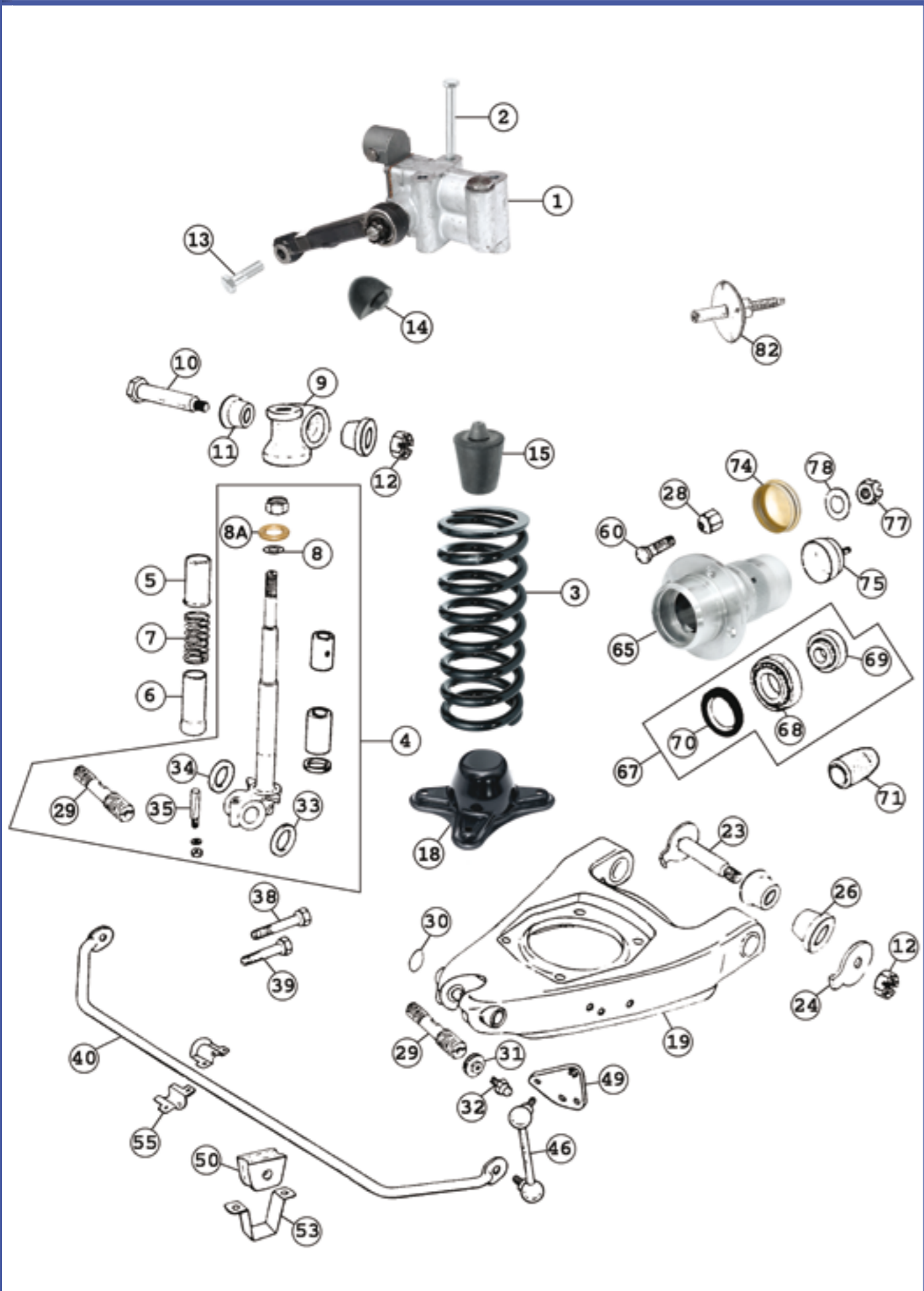


No.	Part No.	Description	Application	Notes	Price ex VAT
1	XSUF101	SHOCK ABSORBER-FRONT-R/H-NEW	MK1-MK4		£99.50
1	XSUF101R	SHOCK ABSORBER-FRONT-R/H-RECON	MK1-MK4	EXCHANGE ONLY £75 surcharge	£35.00
1	XSUF102	SHOCK ABSORBER-FRONT-L/H-NEW	MK1-MK4		£99.50
1	XSUF102R	SHOCK ABSORBER-FRONT-L/H-RECON	MK1-MK4	EXCHANGE ONLY £75 surcharge	£35.00
2	XSUF104	BOLT-shock absorber mounting	MK1-MK4		£1.10
3	XSUF105	COIL SPRING	MK1-MK2		£20.95
3	XSUF106	COIL SPRING	MK3-MK4		£16.50
4	XSUF108	KING PIN KIT-per car	MK1-MK2	INC FULCRUM PINS	£69.95
4	XSUF109	KING PIN KIT-per car	MK3-MK4	INC FULCRUM PINS	£48.50
5	XSUF110	DUST TUBE-upper	MK1-MK4		£3.55
6	XSUF111	DUST TUBE-lower-drum brake	DRUM BRAKE	DRUM BRAKE	£6.50
6	XSUF112	DUST TUBE-lower-disc brake	DISC BRAKE	DISC BRAKE	£2.45
7	XSUF113	SPRING-dust tube	MK1-MK4		£0.31
8	XSUF114	SHIM-king pin	MK1-MK2		£0.50
8A	XSUF114A	THRUST WASHER	MK1-MK4		£2.60
9	XSUF115	TOP TRUNNION	MK1-MK4		£16.95
10	XSUF116	FULCRUM PIN-top	MK1-MK4		£3.50
11	XSUF117	BUSH-front suspension-top	MK1-MK4		£1.05
11	XSUF117P	TOP TRUNNION POLYBUSH KIT	MK1-MK4	TOURING	£15.45
12	XSUF118	NUT-top-fulcrum pin	MK1-MK4		£0.28
13	XSUF119	PINCH BOLT-s/absorber arm	MK1-MK4		£0.61
14	XSUF120	BUFFER-rebound-s/absorber	MK1-MK4		£1.10
15	XSUF121	BUFFER-coil spring	MK1-MK4		£3.20
18	XSUF124	SPRING SEAT	MK1-MK4		£17.50
19	XSUF125	WISHBONE-NEW-includes pin etc	MK1-MK4	INC FULCRUM PIN	£68.95
23	XSUF130	FULCRUM BOLT-chassis	MK1-MK4		£3.75
24	XSUF131	WASHER-fulcrum bolt-lower	MK1-MK4		£1.35
12	XSUF132	NUT-fulcrum pin	MK1-MK4	USE.XSUF118	-
26	XSUF135	BUSH-rubber-lower	MK1-MK4	USE.SUF105	-
26	XSUF135P	LOWER WISHBONE POLYBUSH KIT	MK1-MK4	TOURING	£29.95
28	XSUF137	NUT-disc wheel	DRUM BRAKE	USE.XRAX119	-
29	XSUF138	FULCRUM PIN-king pin	MK1-MK4		£7.75
30	XSUF139	PLUG-blanking	MK1-MK4		£0.40
31	XSUF140	SCREW PLUG	MK1-MK4		£2.45
32	XSUF141	GREASE NIPPLE	MK1-MK4	USE.STG230	-
33	XSUF142	WASHER-CORK-fulcrum pin-large	948CC-1275CC		£0.39
34	XSUF143	WASHER-CORK-fulcrum pin-small	948CC-1275CC		£0.39
35	XSUF144	COTTER PIN-king pin	MK1-MK4		£0.95
38	XSUF148	BOLT-steering arm-long	MK1-MK4		£1.70
39	XSUF149	BOLT-steering arm-short	MK1-MK4		£1.50
40	XSUF150	ANTI-ROLL BAR-standard	MK1-MK4	STANDARD	£55.00
40	XSUF151	ANTI-ROLL BAR-5/8"	MK1-MK4	FAST ROAD	£57.95
40	XSUF152	ANTI-ROLL BAR-11/16"	MK1-MK4	RACE	£52.50
46	XSUF160	LINK-R/H-anti-roll bar	MK1-MK4		£11.50
46	XSUF161	LINK-L/H-anti-roll bar	MK1-MK4		£11.50
49	XSUF164	BRACKET-mounting-anti-roll bar	MK1-MK4		£3.55
50	XSUF165	BUSH-mounting-anti-roll bar	MK1-MK4	USE.SUF202	-
50	XSUF165P	ANTI ROLL BAR POLYBUSH KIT 9/16"	MK1-MK4	TOURING	£9.75
50	XSUF166P	ANTI ROLL BAR POLYBUSH KIT 5/8"	MK1-MK4	TOURING	£9.75
50	XSUF167P	ANTI ROLL BAR POLYBUSH KIT 11/16"	MK1-MK4	TOURING	£9.75
53	XSUF170	STRAP-bush-anti-roll bar	MK1-MK4	USE.SUF201	-



No.	Part No.	Description	Application	Notes	Price ex VAT
55	XSUF172	END STOP-anti-roll bar	MK1-MK4		£2.95
60	XSUF191	STUD-disc wheel	DRUM BRAKE	DRUM BRAKE	£1.95
60	XSUF196	STUD-disc wheel	DISC BRAKE	DISC BRAKE	£1.75
65	XSUF210	SPLINED HUB-R/H 12 tpi	WIRE WHEEL	WIRE WHEEL	£69.50
65	XSUF211	SPLINED HUB-L/H 12 tpi	WIRE WHEEL	WIRE WHEEL	£69.50
65	XSUF212	SPLINED HUB-R/H-8 tpi	WIRE WHEEL	WIRE WHEEL	£63.50
65	XSUF213	SPLINED HUB-L/H-8 tpi	WIRE WHEEL	WIRE WHEEL	£63.50
67	XSUF219	WHEEL BEARING KIT - front	MK1-MK4	INC BEARINGS & SEAL	£16.50
68	XSUF220	BEARING-inner	MK1-MK4		£9.00
69	XSUF221	BEARING-outer	MK1-MK4		£9.00
70	XSUF222	OIL SEAL-front hub	MK1-MK2		£2.15
70	XSUF223	OIL SEAL-front hub	MK3-MK4		£4.95
71	XSUF224	SPACER-bearing	MK1-MK4		£5.75
74	XSUF227	GREASE CAP	DISC WHEEL	DISC WHEEL	£4.10
75	XSUF228	GREASE CAP-wire wheel	WIRE WHEEL	USE.SUF171	-
77	XSUF230	NUT-stub axle	MK1-MK4		£1.25
78	XSUF231	WASHER-nut-stub axle	MK1-MK4		£1.80
82	XSUF235	EXTRACTOR TOOL-for grease cap	MK1-MK4	USE.SUF174	-

