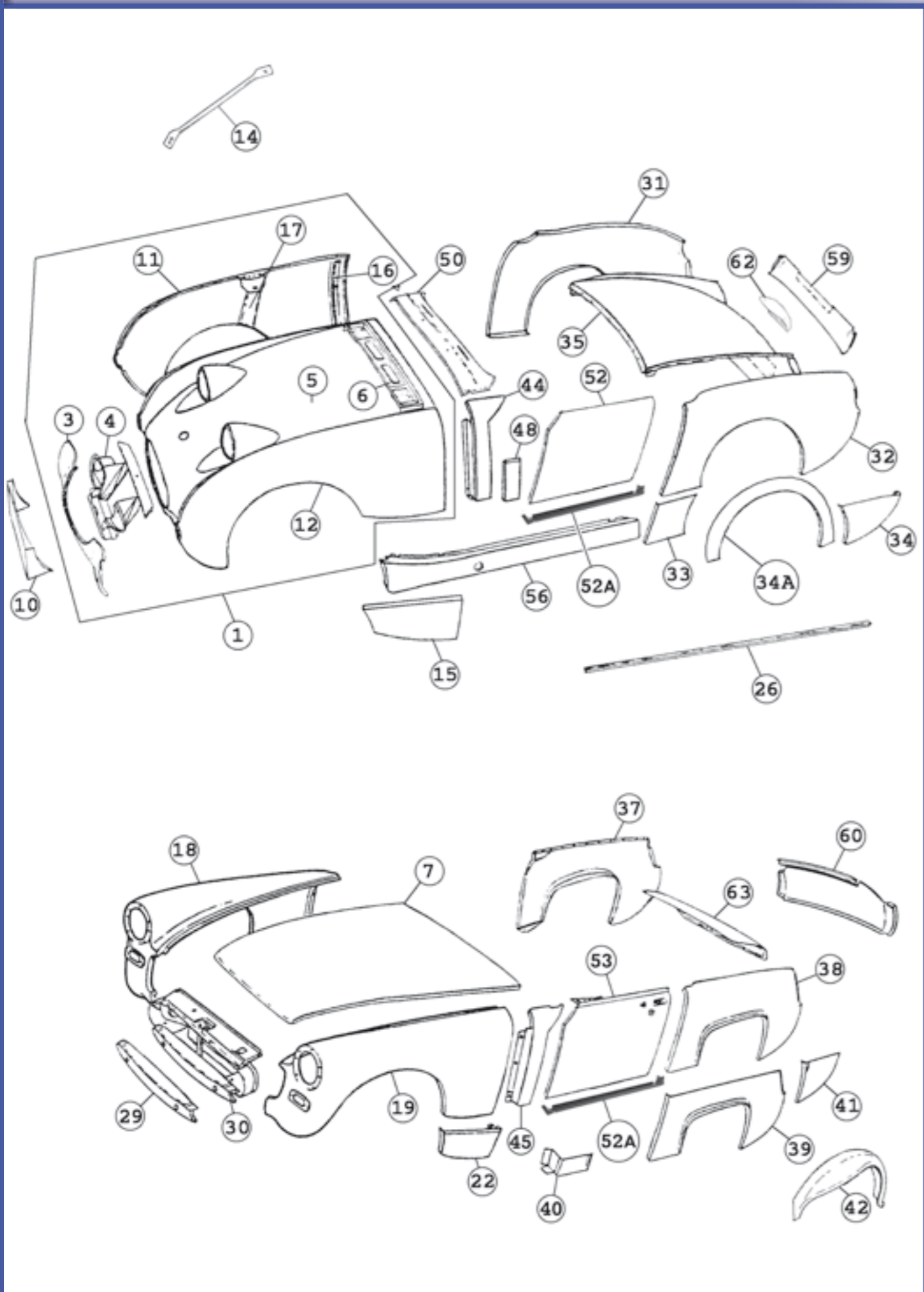


No.	Part No.	Description	Application	Notes	Price ex VAT
1	XOBP101	BONNET ASSEMBLY-steel	MK1		£3,050.00
1	XOBP101A	BONNET ASSEMBLY-aluminium	MK1	ALUMINIUM	£2,495.00
1	XOBP101F	BONNET ASSEMBLY-fibreglass	MK1	FIBREGLASS	£385.00
3	XOBP103	VALANCE-lower front-outer only	MK1		£165.00
4	XOBP104	LOWER FRONT-INNER ASSY	MK1		£159.50
5	XOBP104A	CENTRE SECTION-bonnet	MK1		£1,560.00
6	XOBP104B	REAR STIFFENER-bonnet	MK1		£78.00
7	XOBP105	BONNET	MK2-MK4		£435.00
10	XOBP109	PLINTH-number plate mounting	MK1	NON BUMPER CARS	£35.50
11	XOBP110	FRONT WING-R/H	MK1		£455.00
12	XOBP111	FRONT WING-L/H	MK1		£455.00
14	XOBP113	STRUT-bonnet bracing	MK1		£6.50
15	XOBP114	REPAIR PANEL-R/H-lower rear	MK1		£29.95
15	XOBP115	REPAIR PANEL-L/H-lower rear	MK1		£29.95
16	XOBP116	REAR STIFFENER-front wing-R/H	MK1		£48.50
16	XOBP117	REAR STIFFENER-front wing-L/H	MK1		£48.50
17	XOBP118	BRACKET ASSY-bonnet stay-R/H	MK1		£16.25
17	XOBP119	BRACKET ASSY-bonnet stay-L/H	MK1		£16.25
18	XOBP120	FRONT WING-R/H	MK2-MK4(DEC1968)	MK2-MK4 HAN9-77590/GAN4-66225	£425.50
19	XOBP121	FRONT WING-L/H	MK2-MK4(DEC1968)	MK2-MK4 HAN9-77590/GAN4-66225	£425.50
18	XOBP122	FRONT WING-R/H	MK4(JAN1969)-ON	MK4 HAN9-77591/GAN4-66226-ON	£425.50
19	XOBP123	FRONT WING-L/H	MK4(JAN1969)-ON	MK4 HAN9-77591/GAN4-66226-ON	£425.50
22	XOBP124	REPAIR PANEL-R/H-lower rear	MK2-MK4		£16.95
22	XOBP125	REPAIR PANEL-L/H-lower rear	MK2-MK4		£16.95
26	XOBP130	WING BEAD-5.1/2 ft	MK1-MK4		£13.95
29	XOBP133	VALANCE-lower front-outer only	MK2-MK4		£56.50
30	XOBP134	VALANCE-lower front-complete	MK2-MK4		£215.00
31	XOBP135	WING-REAR-R/H	MK1		£375.00
32	XOBP136	WING-REAR-L/H	MK1		£375.00
33	XOBP137	REPAIR PANEL-R/H-lower front	MK1		£11.50
33	XOBP138	REPAIR PANEL-L/H-lower front	MK1		£11.50
34	XOBP139	REPAIR PANEL-R/H-lower rear	MK1		£68.50
34	XOBP140	REPAIR PANEL-L/H-lower rear	MK1		£68.50
34A	XOBP141	REPAIR PANEL-R/H-outer arch	MK1-MK2		£45.00
34A	XOBP142	REPAIR PANEL-L/H-outer arch	MK1-MK2		£45.00
35	XOBP145	REAR BODY- centre section	MK1		£1,350.00
35	XOBP146	REAR BODY- fibre glass	MK1	INC REAR WINGS	£345.00
37	XOBP150	WING-REAR-R/H	MK2		£465.00
38	XOBP151	WING-REAR-L/H	MK2		£465.00
37	XOBP152	WING-REAR-R/H	MK3		£375.00
38	XOBP153	WING-REAR-L/H	MK3		£375.00
37	XOBP154	WING-REAR-R/H	MK4	SQUARE ARCH	£242.50
38	XOBP155	WING-REAR-L/H	MK4	SQUARE ARCH	£242.50
39	XOBP156	REPAIR PANEL-R/H-lower half	MK2-MK4		£112.50
39	XOBP157	REPAIR PANEL-L/H-lower half	MK2-MK4		£112.50
40	XOBP158	REPAIR PANEL-R/H-front lower	MK2-MK4		£7.65
40	XOBP159	REPAIR PANEL-L/H-front lower	MK2-MK4		£7.65
41	XOBP160	REPAIR PANEL-R/H-rear lower	MK2-MK4	ARCH TO TAIL LAMP	£23.50
41	XOBP161	REPAIR PANEL-L/H-rear lower	MK2-MK4	ARCH TO TAIL LAMP	£23.50
42	XOBP162	REPAIR PANEL-R/H-inner arch	MK2-MK4		£36.25
42	XOBP163	REPAIR PANEL-L/H-inner arch	MK2-MK4		£36.25



No.	Part No.	Description	Application	Notes	Price ex VAT
44	XOBP164	COVER-A POST-R/H-with flange	MK1-MK2		£23.50
44	XOBP165	COVER-A POST-L/H-with flange	MK1-MK2		£23.50
45	XOBP166	COVER-A POST-R/H-with flange	MK3-MK4		£23.50
45	XOBP167	COVER-A POST-L/H-with flange	MK3-MK4		£23.50
48	XOBP170	COVER-A POST-lower 1/3	MK1-MK4	NOT HANDED	£2.65
50	XOBP179	SCUTTLE PANEL-OUTER	MK1-MK2		£49.50
52	XOBP188	DOOR SKIN-R/H	MK1-MK2		£115.00
52A	XOBP188R	REPAIR PANEL-inner door bottom RH	MK1-MK4		£19.00
52	XOBP189	DOOR SKIN-L/H	MK1-MK2		£115.00
52A	XOBP189R	REPAIR PANEL-inner door bottom LH	MK1-MK4		£19.00
53	XOBP191	DOOR SKIN-R/H	MK3-MK4		£39.75
53	XOBP192	DOOR SKIN-L/H	MK3-MK4		£39.75
56	XOBP200	OUTER SILL-R/H	MK1-MK4	SINGLE JACK PT.	£35.00
56	XOBP201	OUTER SILL-L/H	MK1-MK4	SINGLE JACK PT.	£35.00
56	XOBP202	OUTER SILL-R/H	MK4 LATE	TWO JACK PT.	£42.50
56	XOBP203	OUTER SILL-L/H	MK4 LATE	TWO JACK PT.	£42.50
59	XOBP205	REPAIR PANEL-rear body-lower	MK1	HALF PANEL	£42.50
60	XOBP206	REPAIR PANEL-rear body-lower	MK4		£89.25
62	XOBP209	BRACKET-number plate lamp mtg	MK1		£26.45
63	XOBP210	BOOT LID	MK2-MK4		£185.00

