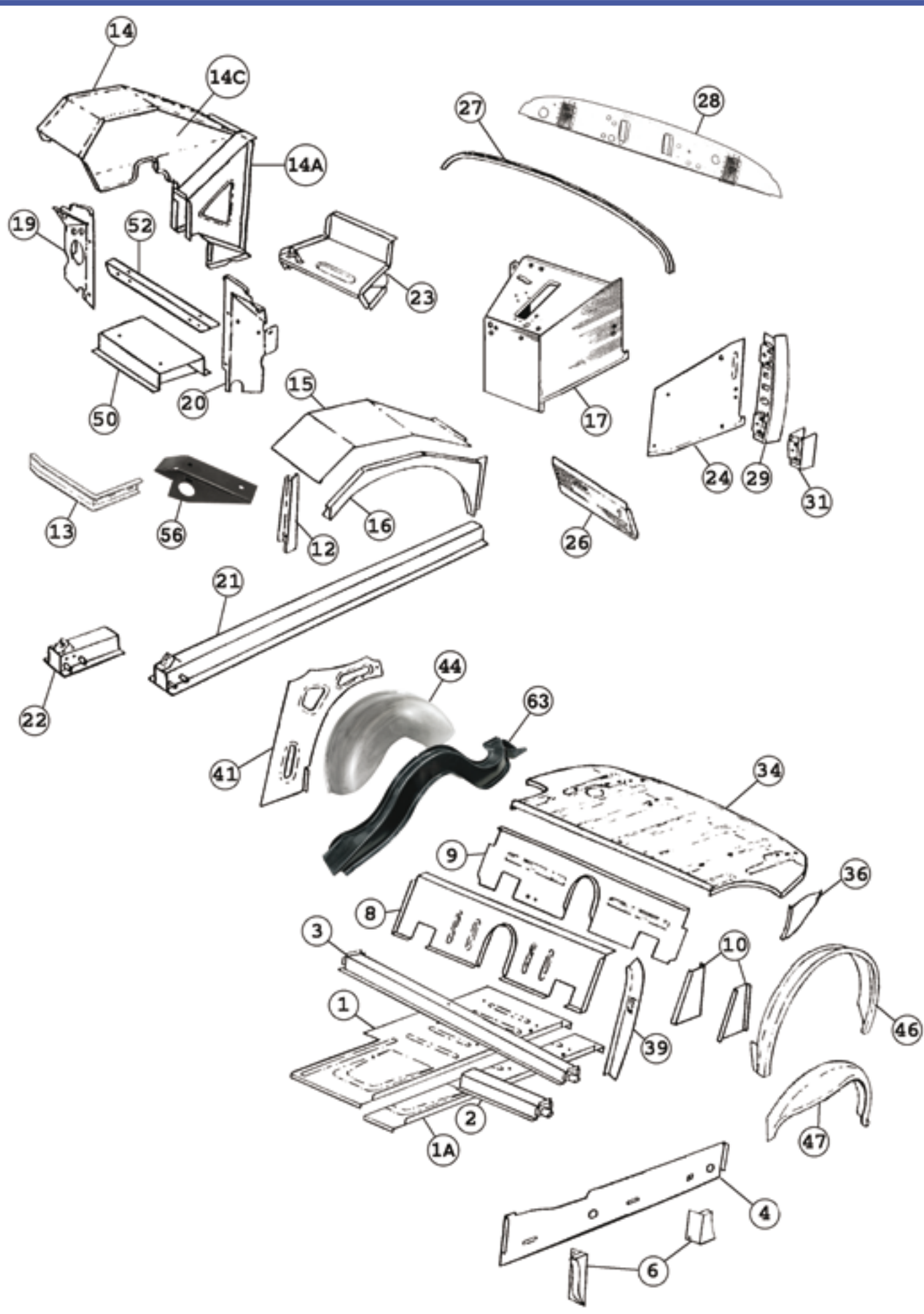


| No. | Part No. | Description | Application | Notes | Price ex VAT |
|-----|----------|-------------------------------|-----------------|------------------|--------------|
| 1 | XIBP105 | FLOOR PAN-main-R/H | MK1-MK2 | | £74.50 |
| 1A | XIBP105R | FLOOR EDGE REPAIR - R/H | MK1-MK2 | | £32.00 |
| 1 | XIBP106 | FLOOR PAN-main-L/H | MK1-MK2 | | £74.50 |
| 1A | XIBP106R | FLOOR EDGE REPAIR - L/H | MK1-MK2 | | £32.00 |
| 1 | XIBP107 | FLOOR PAN-main-R/H | MK3-MK4 | | £59.50 |
| 1A | XIBP107R | FLOOR EDGE REPAIR - R/H | MK3-MK4 | USE.XIBP105R | - |
| 1 | XIBP108 | FLOOR PAN-main-L/H | MK3-MK4 | | £59.50 |
| 1A | XIBP108R | FLOOR EDGE REPAIR - L/H | MK3-MK4 | USE.XIBP106R | - |
| 2 | XIBP110 | CROSS MEMBER REPAIR-1/2 width | MK1-MK4 | INC JACK POINT | £15.95 |
| 3 | XIBP111 | CROSS MEMBER-full width | MK1-MK4 | TO RUBBER BUMPER | £24.50 |
| 4 | XIBP114 | INNER SILL-R/H | MK1-MK4 | | £13.95 |
| 4 | XIBP115 | INNER SILL-L/H | MK1-MK4 | | £13.95 |
| 6 | XIBP118 | SILL CLOSING PLATES-set-R/H | MK1-MK4 | | £3.95 |
| 6 | XIBP119 | SILL CLOSING PLATES-set-L/H | MK1-MK4 | | £3.95 |
| 8 | XIBP124 | REAR BULKHEAD-INNER | MK1-MK4 | | £39.50 |
| 9 | XIBP126 | REAR BULKHEAD-OUTER | MK1-MK4 | | £32.45 |
| 10 | XIBP128 | CLOSING PANELS-PR-MK1 | MK1 | | £8.50 |
| 10 | XIBP129 | CLOSING PANELS-PR-MK2 | MK2 | | £8.50 |
| 12 | XIBP134 | MOUNTING BRACKET-radiator-R/H | MK1 | | £9.35 |
| 12 | XIBP135 | MOUNTING BRACKET-radiator-L/H | MK1 | | £9.35 |
| 12 | XIBP136 | MOUNTING BRACKET-radiator-R/H | MK2-MK4 | | £7.95 |
| 12 | XIBP137 | MOUNTING BRACKET-radiator-L/H | MK2-MK4 | | £7.95 |
| 13 | XIBP138 | SUPPORT BRACKET-R/H-radiator | MK1-MK4 | | £7.95 |
| 13 | XIBP139 | SUPPORT BRACKET-L/H-radiator | MK1-MK4 | | £7.95 |
| 14 | XIBP140 | FRONT INNER WING-R/H | MK1 | | £99.50 |
| 14 | XIBP141 | FRONT INNER WING-L/H | MK1 | | £99.50 |
| 14 | XIBP142 | FRONT INNER WING-R/H | 1098CC & 1275CC | | £115.00 |
| 14 | XIBP143 | FRONT INNER WING-L/H | 1098CC & 1275CC | | £115.00 |
| 14A | XIBP144 | TRIANGULAR WEB - R/H | MK1 | | £26.25 |
| 14A | XIBP144L | TRIANGULAR WEB - L/H | MK1 | | £26.25 |
| 14A | XIBP145 | TRIANGULAR WEB - R/H | MK2-MK4 | | £26.25 |
| 14A | XIBP145L | TRIANGULAR WEB - L/H | MK2-MK4 | | £26.25 |
| 14C | XIBP146 | INNER SIDE PANEL - R/H | MK1 | | £40.75 |
| 14C | XIBP146L | INNER SIDE PANEL - L/H | MK1 | | £40.75 |
| 14C | XIBP147 | INNER SIDE PANEL - R/H | MK2-MK4 | | £40.75 |
| 14C | XIBP147L | INNER SIDE PANEL - L/H | MK2-MK4 | | £40.75 |
| 15 | XIBP148 | WHEEL ARCH REPAIR-TOP-R/H | MK1-MK4 | | £12.45 |
| 15 | XIBP149 | WHEEL ARCH REPAIR-TOP-L/H | MK1-MK4 | | £12.45 |
| 16 | XIBP150 | WHEEL ARCH REPAIR-OUTER-R/H | MK1 | | £13.95 |
| 16 | XIBP151 | WHEEL ARCH REPAIR-OUTER-L/H | MK1 | | £13.95 |
| 16 | XIBP152 | WHEEL ARCH REPAIR-OUTER-R/H | MK2-MK4 | | £13.50 |
| 16 | XIBP153 | WHEEL ARCH REPAIR-OUTER-L/H | MK2-MK4 | | £13.50 |
| 17 | XIBP156 | FRONT FOOTWELL ASSY-RH | MK1-MK3 | TOP & OUTSIDE | £69.50 |
| 17 | XIBP157 | FRONT FOOTWELL ASSY-LH | MK1-MK3 | TOP & OUTSIDE | £69.50 |
| 19 | XIBP160 | SPLASH PLATE-R/H | MK2-MK4 | | £40.50 |
| 20 | XIBP161 | SPLASH PLATE-L/H | MK2-MK4 | | £40.50 |
| 21 | XIBP162 | CHASSIS LEG-R/H-complete | MK1 | | £29.50 |
| 21 | XIBP162A | CHASSIS LEG-R/H-complete | MK2-MK4 | 61 TO 74 | £35.00 |
| 21 | XIBP163 | CHASSIS LEG-L/H-complete | MK1 | | £29.50 |
| 21 | XIBP163A | CHASSIS LEG-L/H-complete | MK2-MK4 | 61 TO 74 | £35.00 |



| No. | Part No. | Description | Application | Notes | Price ex VAT |
|-----|----------|----------------------------------|-------------|------------------------|--------------|
| 22 | XIBP164 | CHASSIS LEG REPAIR-R/H | MK1 | | £17.45 |
| 22 | XIBP165 | CHASSIS LEG REPAIR-L/H | MK1 | | £17.45 |
| 22 | XIBP166 | CHASSIS LEG REPAIR-R/H | MK2-MK4 | | £24.95 |
| 22 | XIBP167 | CHASSIS LEG REPAIR-L/H | MK2-MK4 | | £24.95 |
| 23 | XIBP168 | BATTERY TRAY | MK1-MK2 | | £48.95 |
| 24 | XIBP170 | OUTER FOOTWELL PANEL-R/H | MK1-MK4 | | £14.95 |
| 24 | XIBP171 | OUTER FOOTWELL PANEL-L/H | MK1-MK4 | | £14.95 |
| 26 | XIBP174 | STIFFENER-inner footwell-R/H | MK1-MK4 | | £7.95 |
| 26 | XIBP175 | STIFFENER-inner footwell-L/H | MK1-MK4 | | £7.95 |
| 27 | XIBP177 | SUPPORT CHANNEL-bonnet-rear | MK1 | | £29.50 |
| 28 | XIBP178 | BULKHEAD PANEL | MK1-MK2 | | £65.00 |
| 29 | XIBP180 | A-POST,INNER PILLAR-R/H | MK1-MK4 | | £20.75 |
| 29 | XIBP181 | A-POST,INNER PILLAR-L/H | MK1-MK4 | | £20.75 |
| 31 | XIBP184 | LOWER REPAIR-A POST INNER-R/H | MK1-MK4 | | £10.50 |
| 31 | XIBP185 | LOWER REPAIR-A POST INNER-L/H | MK1-MK4 | | £10.50 |
| 34 | XIBP188 | BOOT FLOOR PANEL | MK1 | | £62.50 |
| 36 | XIBP191 | PANEL-boot floor to wing-R/H | MK1 | | £9.95 |
| 36 | XIBP192 | PANEL-boot floor to wing-L/H | MK1 | | £9.95 |
| 36 | XIBP193 | PANEL-boot floor to wing-R/H | MK2-MK4 | | £10.75 |
| 36 | XIBP194 | PANEL-boot floor to wing-L/H | MK2-MK4 | | £10.75 |
| 39 | XIBP198 | B-POST,R/H | MK1-MK2 | INC LOCK RETAINER BRKT | £29.50 |
| 39 | XIBP199 | B-POST,L/H | MK1-MK2 | INC LOCK RETAINER BRKT | £29.50 |
| 39 | XIBP200 | B-POST,R/H | MK3-MK4 | | £23.75 |
| 39 | XIBP201 | B-POST,L/H | MK3-MK4 | | £23.75 |
| 41 | XIBP204 | RE-INFORCEMENT-B post to arch RH | MK1 | R/H | £31.95 |
| 41 | XIBP205 | RE-INFORCEMENT-B post to arch LH | MK1 | L/H | £31.95 |
| 41 | XIBP206 | RE-INFORCEMENT-B post to arch RH | MK2-MK4 | R/H | £26.50 |
| 41 | XIBP207 | RE-INFORCEMENT-B post to arch LH | MK2-MK4 | L/H | £26.50 |
| 44 | XIBP210 | REAR INNER WHEEL ARCH-R/H | MK1 | | £165.00 |
| 44 | XIBP211 | REAR INNER WHEEL ARCH-L/H | MK1 | | £165.00 |
| 44 | XIBP212 | REAR INNER WHEEL ARCH-R/H | MK2-MK4 | | £95.00 |
| 44 | XIBP213 | REAR INNER WHEEL ARCH-L/H | MK2-MK4 | | £95.00 |
| 46 | XIBP215 | INTERMEDIATE WHEEL ARCH-R/H | MK1 | | £82.50 |
| 46 | XIBP216 | INTERMEDIATE WHEEL ARCH-L/H | MK1 | | £82.50 |
| 47 | XIBP219 | REPAIR PANEL-R/H-outer arch | MK2-MK4 | USE.XOBP162 | - |
| 47 | XIBP220 | REPAIR PANEL-L/H-outer arch | MK2-MK4 | USE.XOBP163 | - |
| 50 | XIBP230 | CROSS MEMBER-CHASSIS-front | MK1-MK4 | | £13.75 |
| 52 | XIBP234 | CROSS MEMBER-steering rack | MK1-MK4 | TO X FLOW RAD | £17.50 |
| 56 | XIBP238 | BRACKET - front suspension | MK1-MK4 | RH FRONT LH REAR | £14.75 |
| 56 | XIBP239 | BRACKET - front suspension | MK1-MK4 | LH FRONT RH REAR | £14.75 |
| 63 | XIBP245 | CHASSIS ARCH - boot floor- RH | MK3-MK4 | SUITABLE FOR MK1-2 | £52.50 |
| 63 | XIBP246 | CHASSIS ARCH - boot floor- LH | MK3-MK4 | SUITABLE FOR MK1-2 | £52.50 |