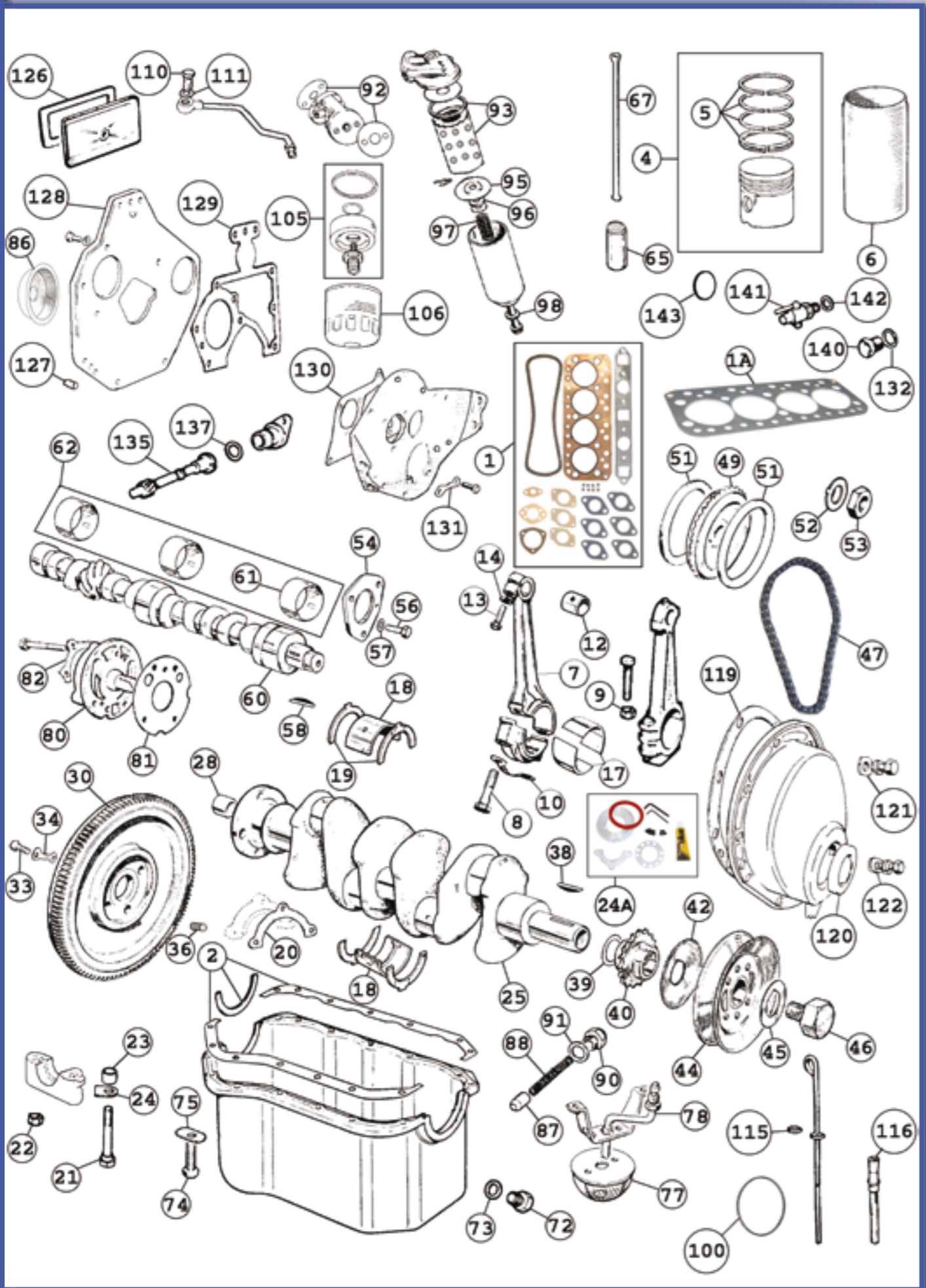


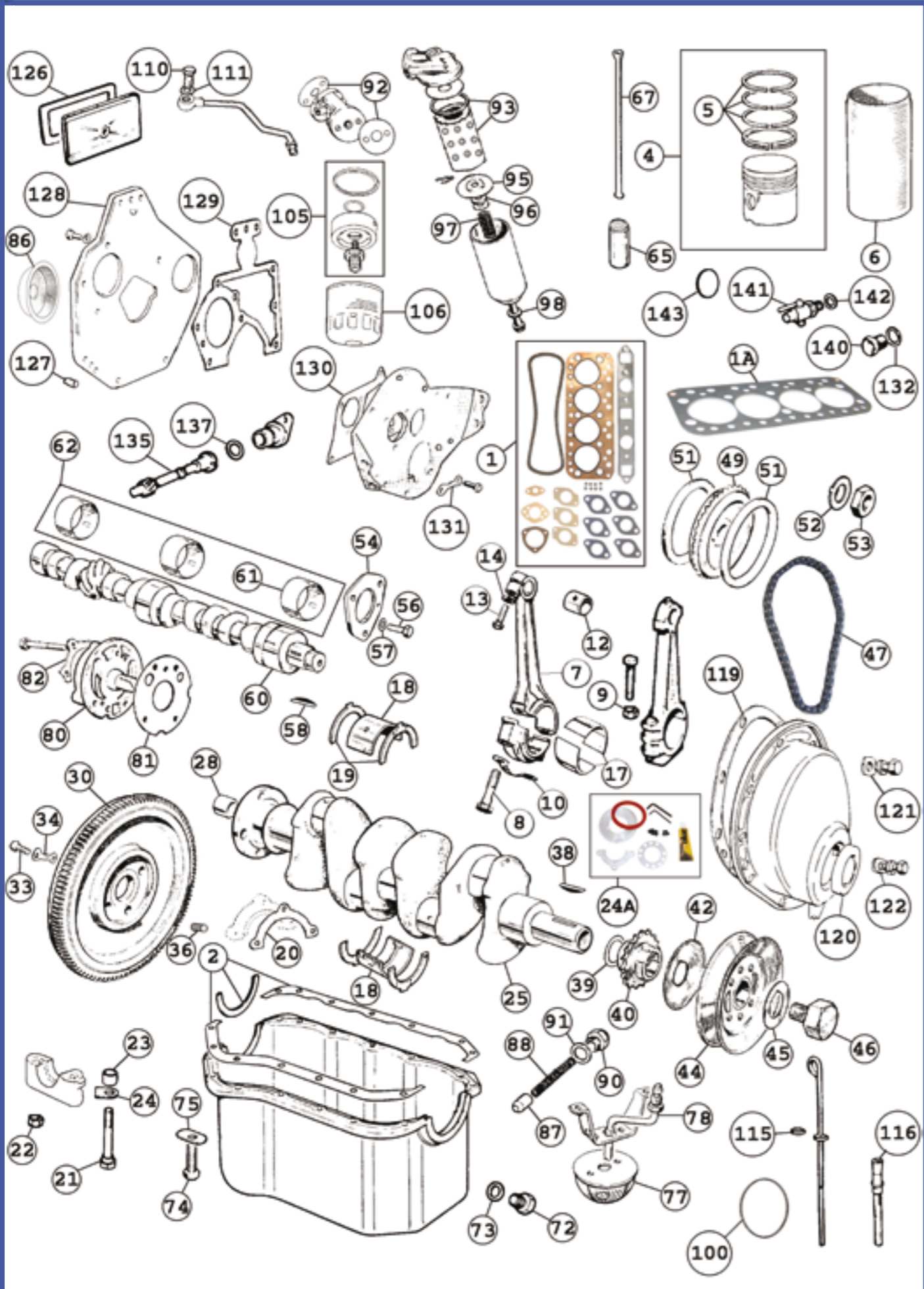
ENGINE - 1



No.	Part No.	Description	Application	Notes	Price ex VAT
1	XENG101	GASKET SET-cylinder head	948CC		£11.50
1	XENG102	GASKET SET-cylinder head	1098CC		£6.70
1	XENG103	GASKET SET-cylinder head	1275CC		£7.95
1A	XENG105	GASKET-cylinder head	948CC-1098CC		£3.60
1A	XENG106	GASKET-cylinder head	1275CC		£4.95
1	XENG110	GASKET SET-bottom end	948CC &	1098CC(MK 2)	£9.50
1	XENG111	GASKET SET-bottom end	1098CC	MK3	£9.95
1	XENG112	GASKET SET-bottom end	1275CC		£7.45
2	XENG115	GASKET SET-oil sump	948CC &	1098CC	£3.70
2	XENG116	GASKET SET-oil sump	1275CC		£4.25
4	XENG120	PISTON ASSY. (set of 4) STD	948CC	8.3:1	£119.50
4	XENG121	PISTON ASSY. (set of 4) +.020'	948CC	8.3:1	£119.50
4	XENG122	PISTON ASSY. (set of 4) +.030'	948CC	8.3:1	£119.50
4	XENG123	PISTON ASSY. (set of 4) +.040'	948CC	8.3:1	£119.50
4	XENG124	PISTON ASSY. (set of 4) +.060'	948CC	8.3:1	£119.50
4	XENG130	PISTON ASSY. (set of 4) STD	1098CC	8.9:1	£124.50
4	XENG131	PISTON ASSY. (set of 4) +.020'	1098CC	8.9:1	£124.50
4	XENG132	PISTON ASSY. (set of 4) +.030'	1098CC	8.9:1	£124.50
4	XENG133	PISTON ASSY. (set of 4) +.040'	1098CC	8.9:1	£124.50
4	XENG134	PISTON ASSY. (set of 4) +.060'	1098CC	8.9:1	£124.50
4	XENG140	PISTON ASSY. (set of 4) STD	1275CC		£84.50
4	XENG141	PISTON ASSY. (set of 4) +.020'	1275CC		£84.50
4	XENG142	PISTON ASSY. (set of 4) +.030'	1275CC		£84.50
4	XENG143	PISTON ASSY. (set of 4) +.040'	1275CC		£84.50
4	XENG144	PISTON ASSY. (set of 4) +.060'	1275CC		£84.50
5	XENG150	PISTON RING SET-STD	948CC	5 RING PISTON	£45.00
5	XENG151	PISTON RING SET+.020'	948CC	5 RING PISTON	£45.00
5	XENG152	PISTON RING SET+.030'	948CC	5 RING PISTON	£45.00
5	XENG153	PISTON RING SET+.040'	948CC	5 RING PISTON	£45.00
5	XENG154	PISTON RING SET+.060'	948CC	5 RING PISTON	£45.00
5	XENG160	PISTON RING SET-STD	1098CC		£41.50
5	XENG161	PISTON RING SET+.020'	1098CC		£41.50
5	XENG162	PISTON RING SET+.030'	1098CC	4 RING PISTON	£41.50
5	XENG163	PISTON RING SET+.040'	1098CC		£41.50
5	XENG164	PISTON RING SET+.060'	1098CC		£41.50
5	XENG170	PISTON RING SET-STD	1275CC		£29.50
5	XENG171	PISTON RING SET+.020'	1275CC		£29.50
5	XENG172	PISTON RING SET+.030'	1275CC		£29.50
5	XENG173	PISTON RING SET+.040'	1275CC		£29.50
5	XENG174	PISTON RING SET+.060'	1275CC		£29.50
6	XENG180	CYLINDER LINER	948CC		£18.50
6	XENG181	CYLINDER LINER	1098CC		£23.50
6	XENG182	CYLINDER LINER	1275CC		£19.75
7	XENG185	CONNECTING ROD-CYL 1 & 3	948CC	NEW	£18.25
7	XENG186	CONNECTING ROD-CYL 2 & 4	948CC	NEW	£18.25
7	XENG187	CONNECTING ROD-CYL 1 & 3	1098CC	RECON. OUTRIGHT	£52.50
7	XENG188	CONNECTING ROD-CYL 2 & 4	1098CC	RECON. OUTRIGHT	£21.50
8	XENG190	BOLT-big end	948CC		£5.60
8	XENG191	BOLT-big end	1098CC		£8.95
9	XENG193	NUT-big end bolt	1275CC		£0.98
10	XENG195	LOCK WASHER-big end bolt	948CC-1098CC		£0.80
12	XENG198	BUSH-small end	1098CC MK3		£1.75
13	XENG199	BOLT-small end	948CC		£1.40



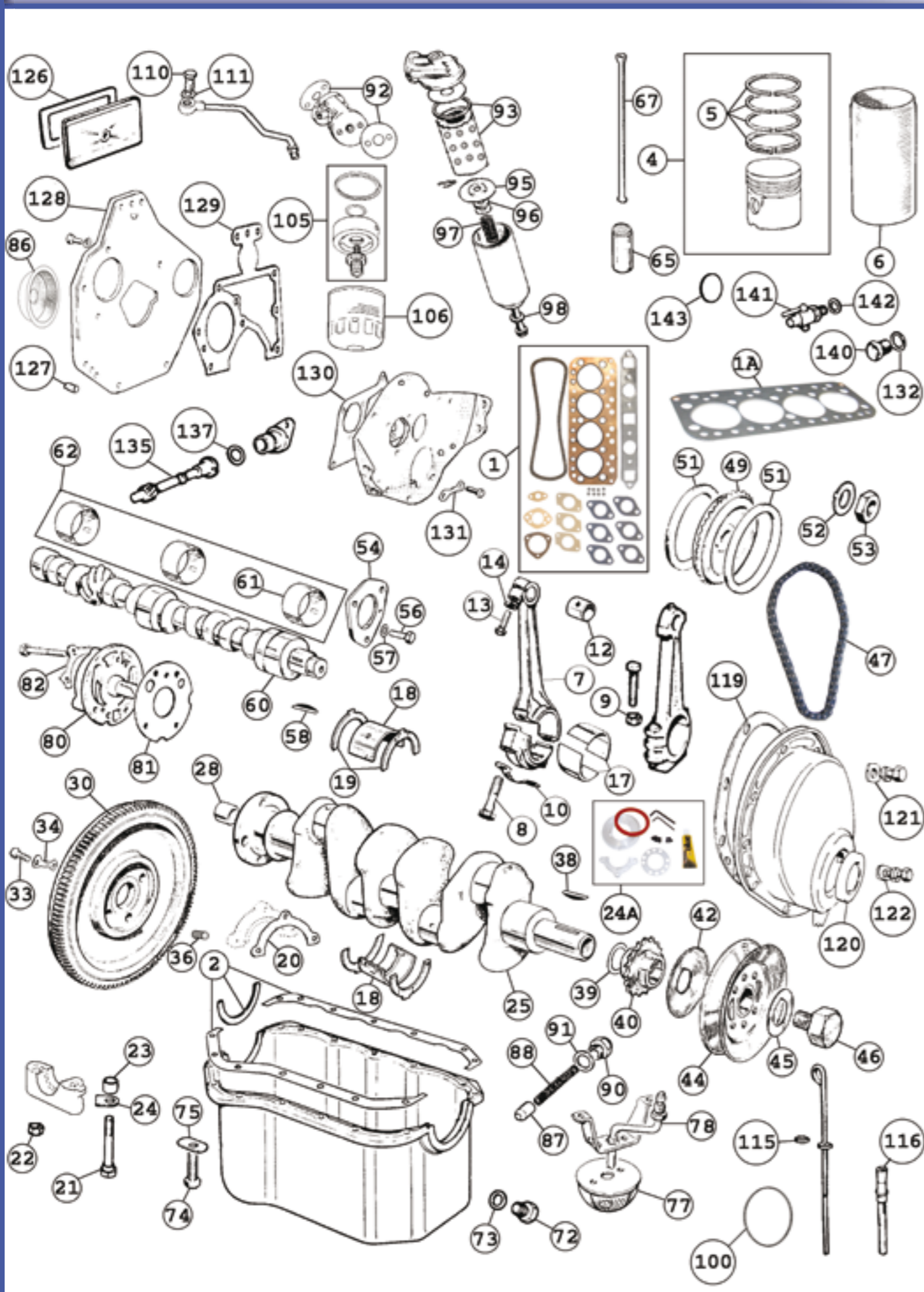
ENGINE - 1



No.	Part No.	Description	Application	Notes	Price ex VAT
14	XENG200	WASHER-small end bolt	948CC		£0.12
17	XENG210	BIG END BEARING SET-STD	948CC-1275CC		£12.95
17	XENG211	BIG END BEARING SET.+0.010'	948CC-1275CC		£12.95
17	XENG212	BIG END BEARING SET.+0.020'	948CC-1275CC		£12.95
17	XENG213	BIG END BEARING SET.+0.030'	948CC-1275CC		£12.95
17	XENG214	BIG END BEARING SET.+0.040'	948CC-1275CC		£12.95
17	XENG215	BIG END BEARING SET.+0.060'	948CC-1275CC		£12.50
18	XENG220	MAIN BEARING SET-STD	948CC		£19.95
18	XENG221	MAIN BEARING SET.+0.010'	948CC		£19.95
18	XENG222	MAIN BEARING SET.+0.020'	948CC		£19.95
18	XENG223	MAIN BEARING SET.+0.030'	948CC		£19.95
18	XENG224	MAIN BEARING SET.+0.040'	948CC		£19.95
18	XENG230	MAIN BEARING SET-STD	1098CC MK2		£16.50
18	XENG231	MAIN BEARING SET.+0.010'	1098CC MK2		£16.50
18	XENG232	MAIN BEARING SET.+0.020'	1098CC MK2		£16.50
18	XENG233	MAIN BEARING SET.+0.030'	1098CC MK2		£16.50
18	XENG234	MAIN BEARING SET.+0.040'	1098CC MK2		£16.50
18	XENG240	MAIN BEARING SET-STD	1098CC MK3-1275CC		£13.50
18	XENG241	MAIN BEARING SET.+0.010'	1098CC MK3-1275CC		£13.50
18	XENG242	MAIN BEARING SET.+0.020'	1098CC MK3-1275CC		£13.50
18	XENG243	MAIN BEARING SET.+0.030'	1098CC MK3-1275CC		£13.50
18	XENG244	MAIN BEARING SET.+0.040'	1098CC MK3-1275CC		£13.50
19	XENG250	THRUST WASHER SET - STD.	948CC		£9.75
19	XENG253	THRUST WASHER SET - STD.	1098CC MK2		£7.50
19	XENG254	THRUST WASHER SET + 0.005'	1098CC MK2		£9.50
19	XENG258	THRUST WASHER SET - STD.	1098CC MK3-1275CC		£6.75
19	XENG260	THRUST WASHER SET + 0.005'	1098CC MK3-1275CC		£9.50
20	XENG261	GASKET-rear bearing cap	948CC-1098CC MK2		£0.38
21	XENG263	BOLT-main bearing cap	1275CC		£1.75
22	XENG265	NUT-main bearing cap	1098CC MK3		£0.49
23	XENG266	DOWEL-cap locating	948CC-1098CC MK2		£0.52
23	XENG267	DOWEL-cap locating	1275CC		£4.10
24	XENG268	LOCK TAB-main bearing cap	948CC-1098CC MK2		£0.59
24	XENG269	LOCK TAB-main bearing cap	1275CC		£0.49
24A	XENG270	CRANKSHAFT OIL SEAL CONVERSION KIT	948-1098(10CG)		£101.00
24A	XENG271	CRANKSHAFT OIL SEAL CONVERSION KIT	1098CC (10CC)		£101.00
24A	XENG272	CRANKSHAFT OIL SEAL CONVERSION KIT	1275CC		£101.00
25	XENG273	CRANKSHAFT-REGROUND-c/w brgs	1098CC MK2	OUTRIGHT SALE	£188.50
25	XENG276	CRANKSHAFT-REGROUND-c/w brgs	1098CC MK3	OUTRIGHT SALE	£495.00
25	XENG279	CRANKSHAFT-REGROUND-c/w brgs	1275CC	OUTRIGHT SALE	£550.00
28	XENG282	SPIGOT BUSH	948CC-1275CC		£1.35
28	XENG283	SPIGOT BUSH-needle rollers	1275CC	LATE ONLY	£8.50
30	XENG285	STARTER RING GEAR	948CC		£15.95
30	XENG286	STARTER RING GEAR	1098CC		£15.95
30	XENG287	STARTER RING GEAR	1275CC		£15.50
33	XENG292	BOLT-flywheel	948CC-1098CC		£1.10
33	XENG293	BOLT-flywheel	1275CC		£1.20
34	XENG295	LOCK TAB-flywheel bolt	948CC-1098CC MK2		£0.69
34	XENG297	LOCK TAB-flywheel bolt	1275CC		£2.70
36	XENG299	DOWEL-flywheel	948CC-1275CC		£1.60
38	XENG301	WOODRUFF KEY-crankshaft	948CC-1275CC		£4.40
39	XENG302	SHIM-crankshaft	948CC-1275CC		£0.55



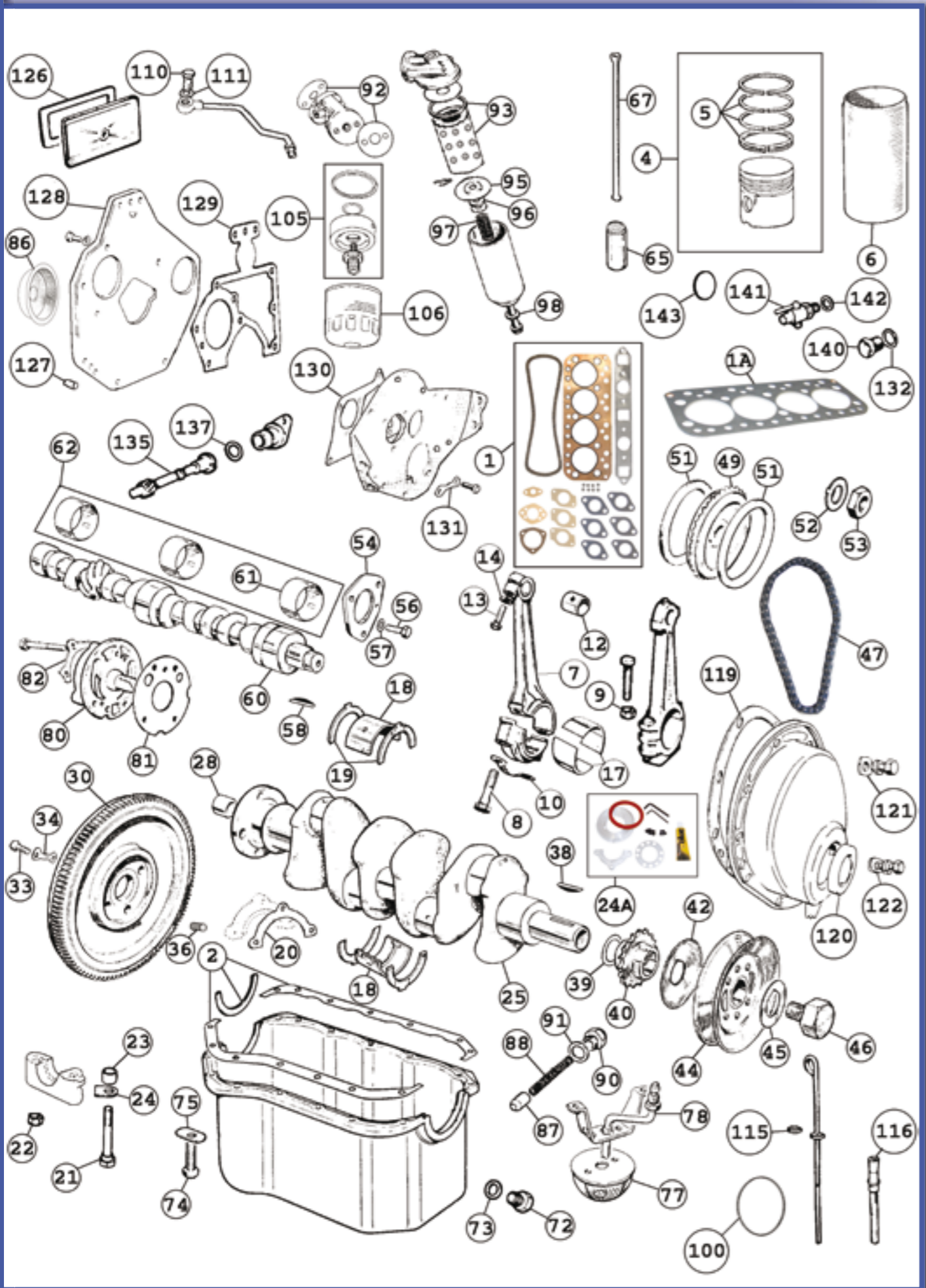
ENGINE - 1



No.	Part No.	Description	Application	Notes	Price ex VAT
40	XENG304	CRANK GEAR-timing-single chain	948CC-1098CC		£9.75
40	XENG306	CRANK GEAR-timing-double chain	1275CC		£7.50
42	XENG308	OIL THROWER	948CC-1098CC MK2		£1.75
44	XENG310	PULLEY-crankshaft	948CC-1098CC		£47.95
44	XENG311	PULLEY-crankshaft	1275CC		£57.50
45	XENG313	LOCKWASHER-crank bolt	948CC-1275CC		£0.48
46	XENG314	BOLT-crankshaft	948CC-1275CC		£6.95
47	XENG315	TIMING CHAIN-single	948CC-1098CC		£3.95
47	XENG316	TIMING CHAIN-double	1275CC		£5.10
49	XENG318	CAM GEAR-timing-single chain	948CC-1098CC		£13.75
49	XENG320	CAM GEAR-timing-double chain	1275CC		£11.95
51	XENG322	TENSIONER-timing chain	948CC-1098CC		£1.29
52	XENG323	LOCKWASHER-camshaft	948CC-1275CC		£0.70
53	XENG324	NUT-camshaft	948CC-1275CC		£2.45
54	XENG325	RETAINING PLATE-camshaft	948CC-1275CC		£8.15
56	XENG328	SCREW-retaining plate	948CC-1275CC		£0.15
57	XENG329	WASHER-retaining screw	948CC-1275CC		£0.08
58	XENG330	WOODRUFF KEY-camshaft	948CC-1275CC		£0.48
60	XENG332	CAMSHAFT-NEW	948CC	9C ENGINE	£119.50
60	XENG333	CAMSHAFT-NEW	948CC-1098CC MK2		£119.50
60	XENG333R	CAMSHAFT-REPROFILED-exchange	948CC-1098CC MK2	£50 surcharge	£59.00
60	XENG334R	CAMSHAFT-REPROFILED-exchange	1098CC MK3	£50 surcharge	£59.00
61	XENG337	BEARING-camshaft-front	948CC-9C	9C ENGINES ONLY	£12.70
62	XENG338	BEARING SET-camshaft	948CC(9CG)-1098CC		£16.50
62	XENG339	BEARING SET-camshaft	1275CC		£12.70
65	XENG342	CAM FOLLOWER	948CC-1275CC		£1.60
67	XENG345	PUSH ROD	948CC-1098CC		£5.95
67	XENG346	PUSH ROD	1275CC		£3.50
72	XENG356	DRAIN PLUG-oil sump	MK1-MK4	USE.FUL108	-
73	XENG357	WASHER-drain plug	MK1-MK4	USE.FUL109	-
74	XENG358	SCREW-sump retaining	MK1-MK4	USE.XENG328	-
75	XENG359	WASHER-sump screw	MK1-MK4	USE.ENG667	-
78	XENG365	OIL PIPE-strainer	1098CC-MK2-1275CC		£11.50
80	XENG370	OIL PUMP	948CC-1098CC		£19.95
80	XENG371	OIL PUMP	1275CC		£16.95
81	XENG373	GASKET-oil pump	948CC-1275CC		£0.58
82	XENG375	LOCKWASHER-oil pump	948CC-1098CC MK2		£1.50
82	XENG378	LOCKWASHER-oil pump-lower	1275CC		£2.10
82	XENG379	LOCKWASHER-oil pump-upper	1275CC		£0.35
86	XENG383	COVER-oil pump	1275CC		£15.95
87	XENG385	VALVE-oil pressure relief	MK1-MK4	USE.ENG480	-
88	XENG386	SPRING-oil pressure relief	948CC-1275CC		£0.94
90	XENG389	CAP NUT-oil pressure valve	948CC-1275CC		£1.60
91	XENG390	WASHER-relief valve cap	MK1-MK4	USE.ENG670	-
92	XENG392	GASKET-filter adapter	948CC-1275CC		£0.25
93	XENG395	OIL FILTER ELEMENT-paper	958CC-1275CC		£3.95
95	XENG400	PRESSURE PLATE-tecalemit	948CC	USE.ENG694	-
96	XENG402	SEALING WASHER-tecalemit	948CC	USE.ENG693	-
96	XENG403	SEALING WASHER-purolator	948CC-1275CC		£1.32
97	XENG404	SPRING-tecalemit	948CC	USE.ENG691	-
98	XENG406	SEAL-lower-tecalemit	948CC		£0.35
98	XENG407	SEAL-lower-purolator	MK1-MK4	USE.ENG697	-



ENGINE - 1



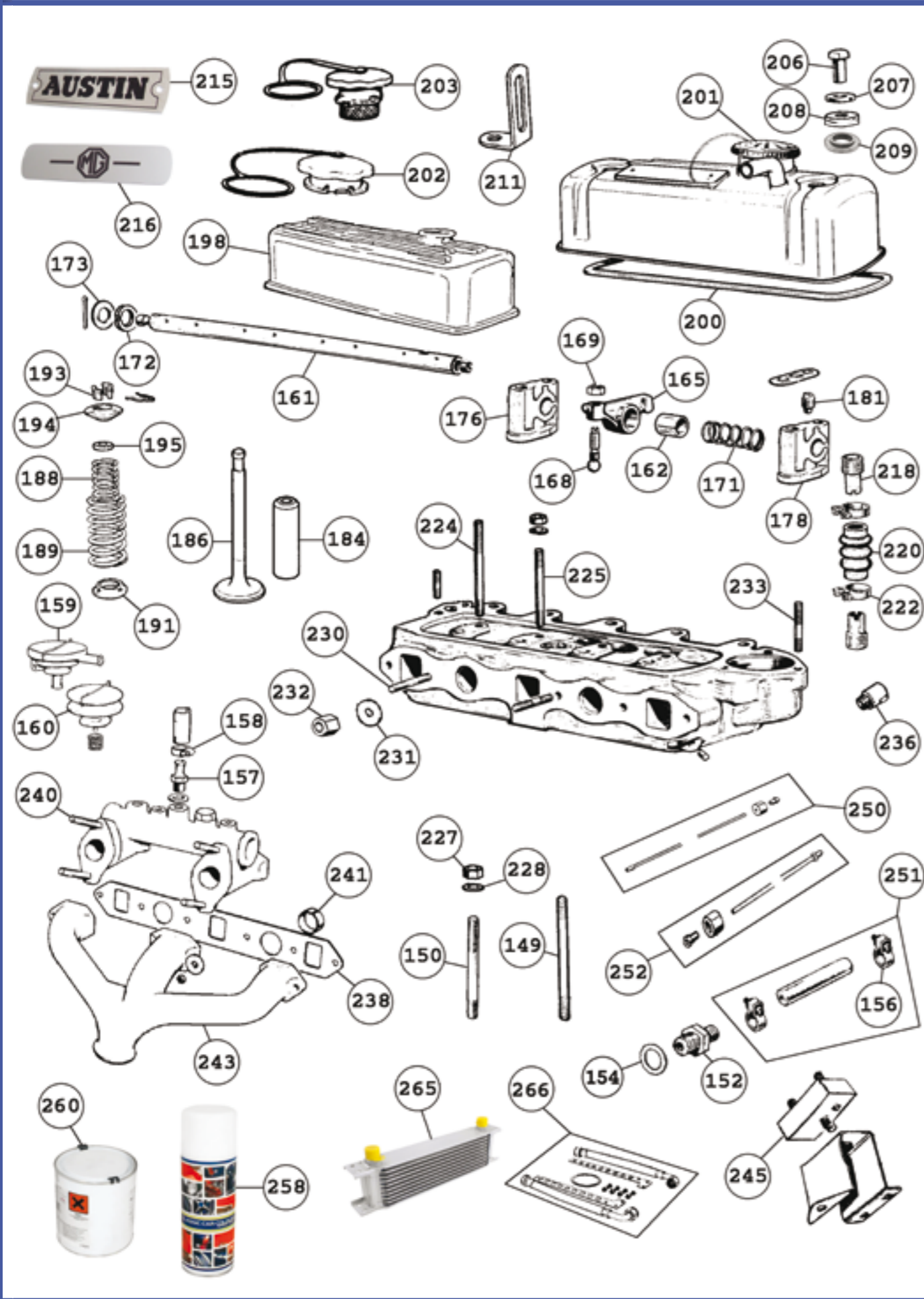
No.	Part No.	Description	Application	Notes	Price ex VAT
100	XENG410	SEAL-sump to head	MK1-MK4	PUROLATOR	£0.79
105	XENG416	ADAPTOR KIT-spin off filter	948CC-1275CC		£58.25
106	XENG417	CANISTER FILTER-spin off type	A/R	USE.ENG699	-
110	XENG424	UNION BOLT-oil pipe	948CC-1098CC		£12.65
111	XENG426	WASHER-bolt	948CC-1098CC		£0.60
115	XENG435	WASHER-rubber-dipstick	1098CC-1275CC		£0.32
116	XENG436	TUBE-dipstick	1098CC-1275CC		£4.95
119	XENG443	GASKET-timing cover	948CC-1275CC		£0.99
120	XENG444	OIL SEAL-timing cover	948CC TO	9C/U/H 37646	£1.45
120	XENG445	OIL SEAL-timing cover	948CC-1275CC		£1.45
121	XENG446	WASHER-timing cover bolt-1/4'	MK1-MK3	USE.ENG667	-
122	XENG447	WASHER-timing cover bolt-5/16'	MK1-MK3		£0.45
126	XENG454	GASKET-SIDE COVER-cork	MK1-MK2	USE.ENG774	-
126	XENG455	GASKET-SIDE COVER-rubber	1098CC-MK3		£0.75
127	XENG456	DOWEL-back plate-bottom	948CC-1275CC		£0.95
128	XENG456A	BACK PLATE	1275CC		£179.50
129	XENG457	GASKET-back plate	948CC-1275CC		£0.79
130	XENG458	GASKET-front plate	948CC-1275CC		£0.80
131	XENG459	LOCKWASHER-front plate	948CC-1098CC		£2.25
132	XENG460	WASHER-drain plug	MK1-MK4	USE.FUL109	-
135	XENG462	DISTRIBUTOR DRIVE	948CC-1098CC		£40.75
137	XENG466	O RING-distributor drive	948CC-1275CC		£0.70
140	XENG467	PLUG-draining-water	948CC-1275CC		£2.45
141	XENG468	DRAIN TAP-water	948CC-1275CC		£14.50
142	XENG469	WASHER-drain tap	948CC-1275CC		£0.25
143	XENG470	WELSH PLUG	MK1-MK2	USE.ENG767	-
143	XENG471	WELSH PLUG	MK2-MK3	USE.ENG768	-
143	XENG472	WELSH PLUG	MK4	USE.ENG766	-
143	XENG473	WELSH PLUG-relief passage	MK3-MK4		£1.28
143	XENG474	WELSH PLUG-oil gallery	MK3-MK4		£1.20
143	XENG475	WELSH PLUG-inlet manifold	948CC TO	9CG.DAH.3169	£0.55



Crankshaft Oil Seal Conversion Kit

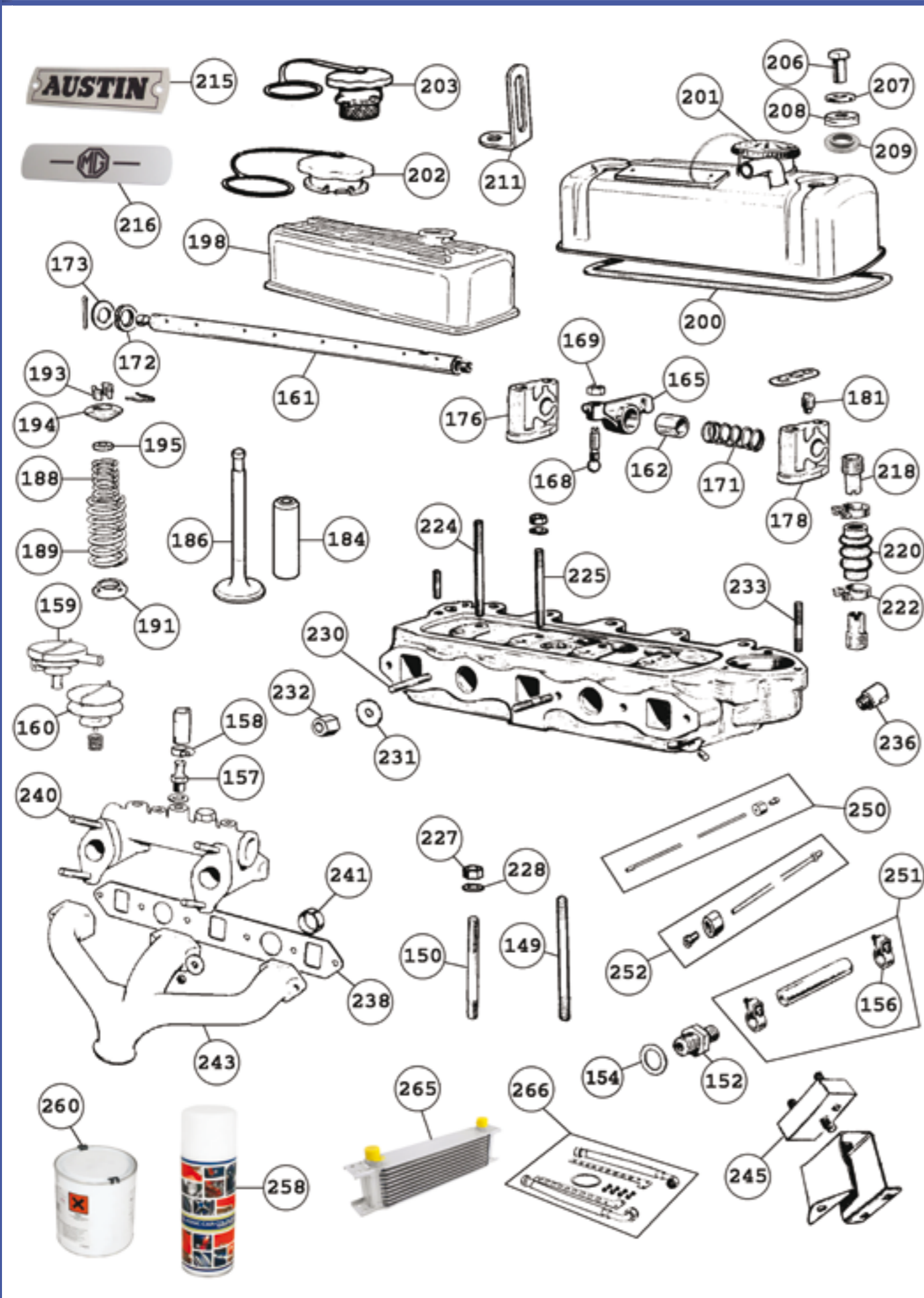
XENG270





No.	Part No.	Description	Application	Notes	Price ex VAT
149	XENG480	STUD-cyl head-long	948CC-1275CC		£2.60
150	XENG482	STUD-cyl head-short	948CC-1275CC		£1.95
152	XENG485	UNION-pressure gauge	948CC-1275CC		£3.55
154	XENG487	WASHER-union	948CC-1098CC		£0.60
154	XENG488	WASHER-union	1275CC		£0.39
156	XENG490	HOSE CLIP-flexible oil pipe	948CC-1275CC		£0.55
157	XENG492	ADAPTER-breather control valve	1098CC-1275CC		£4.75
158	XENG493	CLIP(1/2')-breather hose	A/R	USE.CHT181	-
159	XENG494	BREATHER VALVE	1098CC-1275CC		£52.95
160	XENG495	DIAPHRAM-breather valve	1098CC-1275CC		£3.75
161	XENG500	ROCKER SHAFT	948CC-1275CC		£12.95
162	XENG503	BUSH-rocker shaft	948CC-1275CC		£1.75
165	XENG506	ROCKER ARM-forged	1098CC-MK3-1275CC		£8.50
165	XENG507	ROCKER ARM-sintered	1098CC-MK3-1275CC		£12.50
168	XENG510	SCREW-adjusting-cast rockers	948CC-1098CC-MK2		£4.85
168	XENG511	SCREW-adjusting-forged rockers	948CC-MK3-1275CC		£1.69
168	XENG512	SCREW-adjusting-pressed rocker	948CC-MK3-1275CC		£0.95
169	XENG514	NUT-adjusting screw	948CC-1098CC-MK2		£0.65
169	XENG515	NUT-adjusting screw-forged	1098CC-MK3-1275CC		£0.29
169	XENG516	NUT-adjusting screw-pressed	1098CC-MK3-1275CC		£0.25
171	XENG518	SPRING-rocker spacing	948CC-1275CC		£1.25
172	XENG519	SPRING WASHER-rocker shaft	948CC-1098CC		£0.35
173	XENG520	FLAT WASHER-rocker shaft	948CC-1275CC		£0.65
176	XENG525	ROCKER PEDESTAL-plain	948CC-1275CC		£6.50
178	XENG528	ROCKER PEDESTAL-tapped	948CC-1275CC		£6.25
181	XENG532	SCREW-locating	948CC-1275CC		£1.20
184	XENG535	VALVE GUIDE	948CC	9C ONLY	£1.45
184	XENG536	VALVE GUIDE	948CC-1098CC		£1.30
184	XENG537	VALVE GUIDE	1275CC		£1.30
186	XENG540	VALVE-inlet	948CC	9C ONLY	£4.95
186	XENG541	VALVE-inlet	948CC-1098CC-MK2		£3.65
186	XENG542	VALVE-inlet	1098CC-MK3		£3.15
186	XENG543	VALVE-inlet	1275CC		£3.45
186	XENG548	VALVE-exhaust	948CC-1098CC		£4.25
186	XENG549	VALVE-exhaust	1275CC		£5.40
188	XENG553	VALVE SPRING-inner	948CC-9CG-1098CC		£0.98
188	XENG554	VALVE SPRING-inner	1275CC		£2.25
189	XENG555	VALVE SPRING-outer	948CC-1098CC		£1.45
189	XENG556	VALVE SPRING-outer	1275CC		£1.20
191	XENG558	BOTTOM COLLAR-valve spring	948CC-1275CC		£1.35
193	XENG560	COLLET	948CC		£2.65
193	XENG561	COLLET	1275CC		£2.45
194	XENG562	CAP-top-valve spring	948CC	SINGLE SPRING	£1.95
194	XENG563	CAP-top-valve spring	948CC-1098CC		£2.10
195	XENG565	OIL SEAL-valve stem	948CC-1098CC		£0.15
195	XENG566	OIL SEAL-valve stem	1275CC		£0.40
198	XENG569	ROCKER COVER-alloy	948CC-1098CC-1275CC		£28.00
200	XENG573	GASKET-rocker cover	948CC-1275CC		£0.80
201	XENG575	FILLER CAP	948CC-9C	USE.ENG755	-
202	XENG576	FILLER CAP-plastic	948CC-1098CC MK2		£3.10
203	XENG577	FILLER CAP	1098CC-MK3-1275CC		£3.25





No.	Part No.	Description	Application	Notes	Price ex VAT
206	XENG580	BOLT-rocker cover	948CC-1275CC		£1.50
207	XENG581	SPACER-rocker cover bolt	948CC-1275CC		£0.75
208	XENG582	CUP WASHER-rocker bolt	MK1-MK4	USE.ENG744	-
209	XENG583	RUBBER BUSH-rocker bolt	MK1-MK4	USE.ENG742	-
211	XENG585	BRACKET-lifting	948CC-1098CC		£3.65
215	XENG590	DECAL-AUSTIN	948CC-1098CC-MK2		£2.85
215	XENG591	DECAL-AUSTIN	1098CC-MK3		£1.95
216	XENG592	DECAL-M.G	MG		£2.75
218	XENG594	ADAPTER-by pass hose	948CC-1275CC		£4.95
220	XENG596	HOSE-by pass	MK1-MK4	USE.XCHT132	-
222	XENG599	CLIP-by pass hose	MK1-MK4	USE.XCHT133	-
224	XENG602	STUD-rocker cover-long	948CC-1275CC		£1.95
225	XENG604	STUD-rocker shaft-short	948CC-1098CC		£0.54
225	XENG605	STUD-rocker shaft-short	1275CC		£0.58
227	XENG607	NUT-cylinder head	948CC-1275CC		£0.75
228	XENG608	WASHER-cylinder head nut	948CC-1098CC		£0.08
228	XENG609	WASHER-cylinder head nut	1275CC		£0.22
230	XENG612	STUD-manifold	948CC-1098CC-MK2		£0.64
230	XENG613	STUD-manifold	1098CC.MK3-1275CC		£0.60
231	XENG614	WASHER-large-manifold	948CC-1275CC		£0.49
232	XENG615	NUT-manifold stud	948CC-1275CC		£0.35
233	XENG616	STUD-t/stat housing	948CC		£0.70
233	XENG617	STUD-t/stat housing	1098CC-1275CC		£0.68
233	XENG618	STUD-t/stat housing	1275CC	CROSS FLOW	£0.90
236	XENG620	ADAPTOR-thermal sensor	1275CC	CROSSFLOW	£3.60
238	XENG622	GASKET-manifold	948CC-1275CC		£1.20
240	XENG624	STUD-inlet manifold to carbs	948CC	H1 CARBS	£2.05
241	XENG625	LOCATING RING	10CG DAH.18628 ON		£0.69
243	XENG628	EXHAUST MANIFOLD	MK3-MK4	(EARLY)	£112.00
245	XENG630	MOUNTING-engine	948CC-1275CC		£3.15
250	XENG640	OIL PIPE-engine to flex	MK1-MK4		£6.35
251	XENG641	OIL PIPE-flexible	MK1-MK4	INC CLIPS	£5.95
252	XENG642	OIL PIPE-flex to gauge-R.H.D	MK1-MK4		£9.75
252	XENG643	OIL PIPE-flex to gauge-L.H.D	MK1-MK4		£10.30
258	XENG660	AEROSOL ENGINE PAINT-400ml	A/R	POST TO UK ONLY	£10.95
260	XENG662	ENGINE PAINT-brush on	A/R	1/2 LITRE	£12.95
265	XENG670	OIL COOLER - 10 ROW	MK1-MK4		£32.50
266	XENG671	FITTING KIT - oil cooler	MK1-MK4		£45.50

