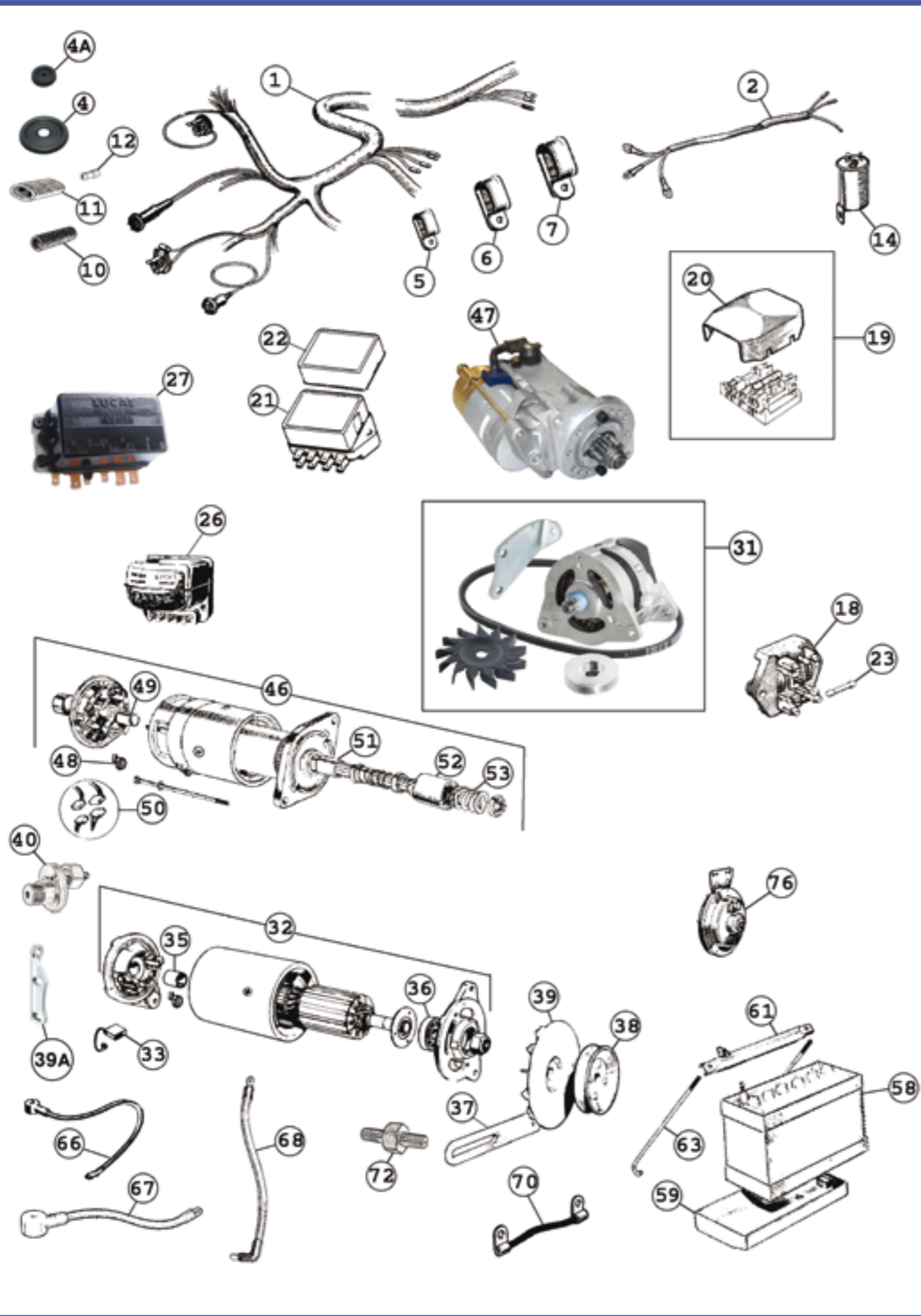
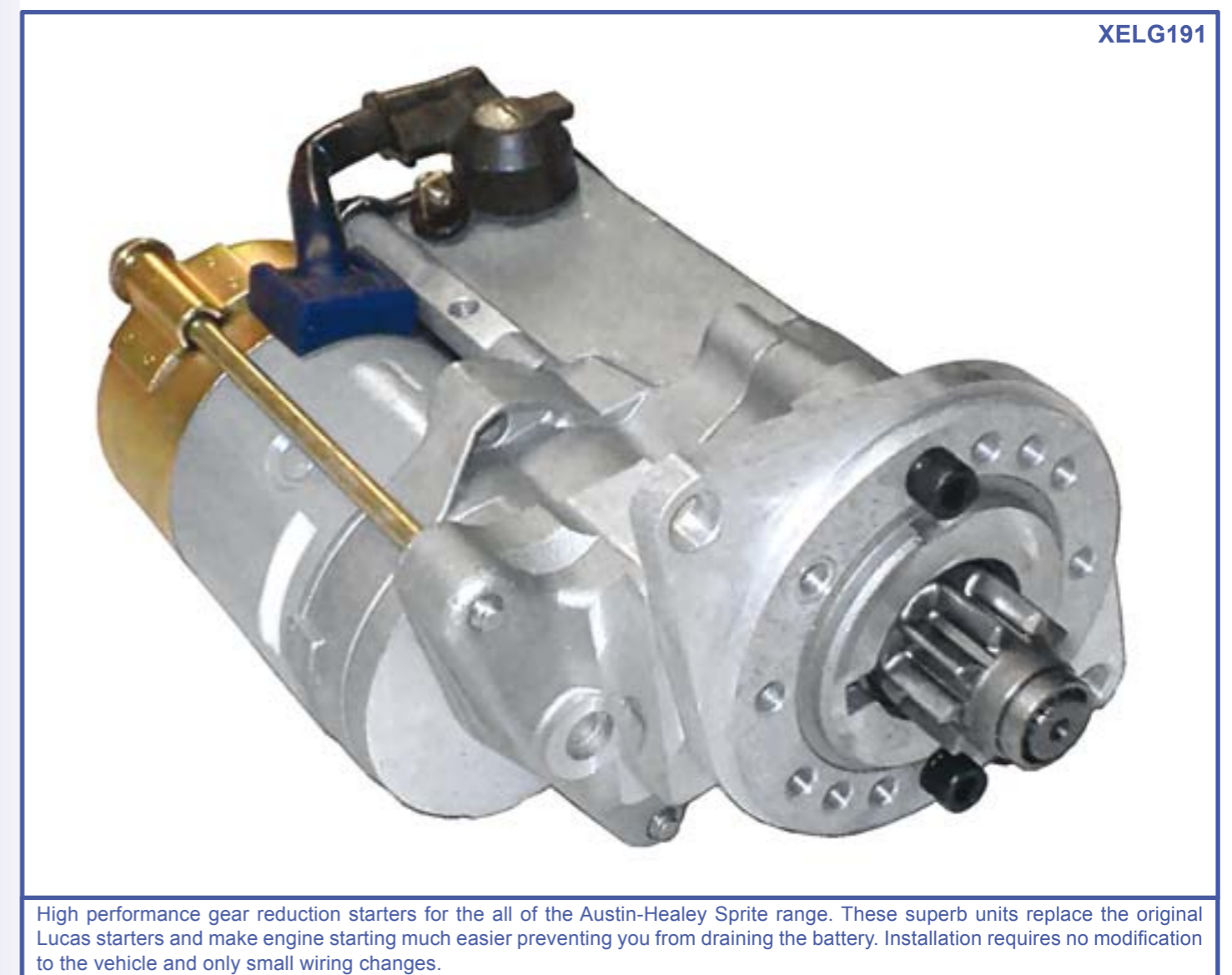


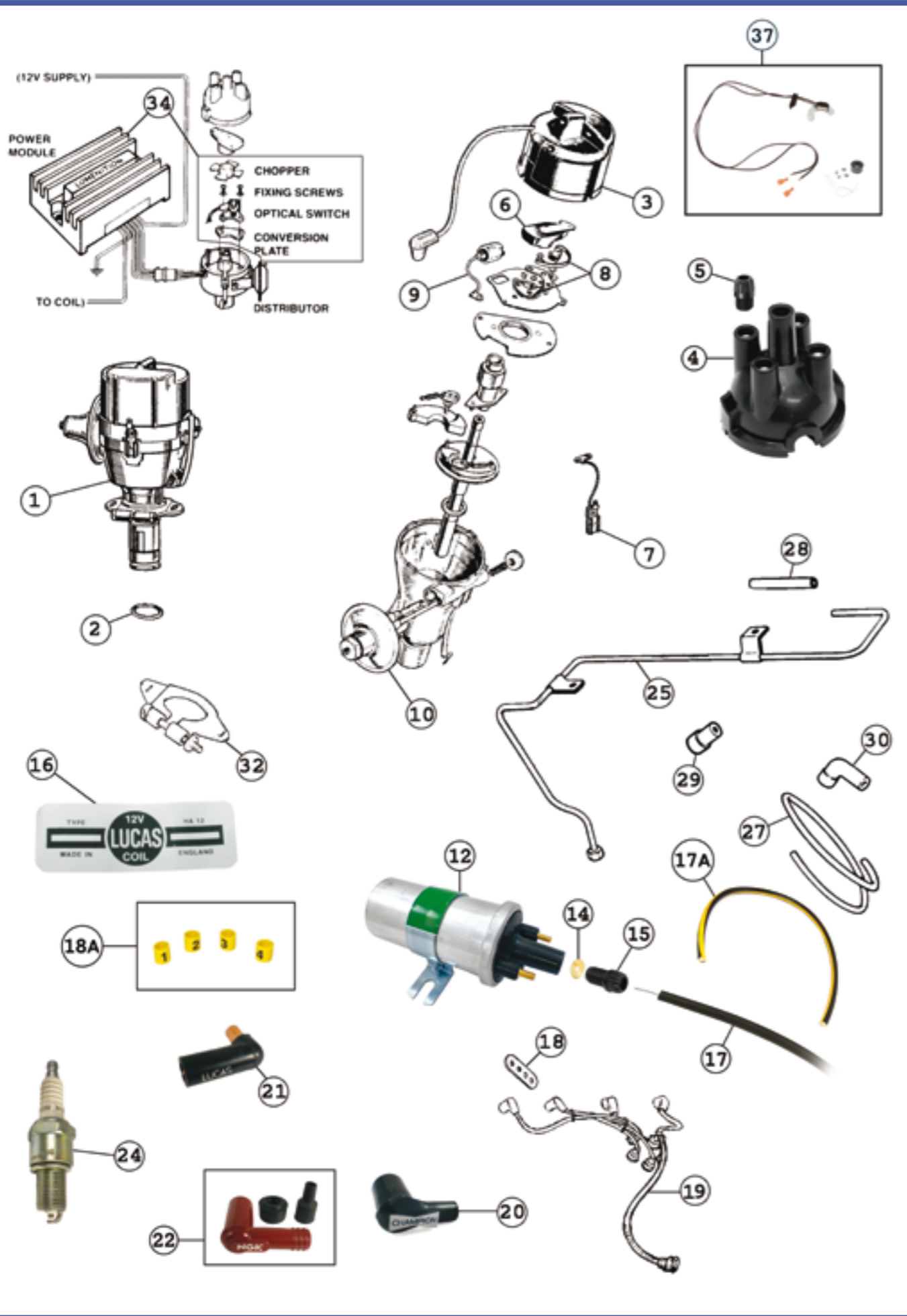
No.	Part No.	Description	Application	Notes	Price ex VAT
1	XELG110	WIRING HARNESS-cotton covered	MK1		£146.00
1	XELG111	WIRING HARNESS-cotton covered	MK2 HAN6		£165.00
1	XELG112	WIRING HARNESS-cotton covered	MK2 HAN7		£165.00
1	XELG113	WIRING HARNESS-cotton covered	MK3		£189.00
1	XELG114	WIRING HARNESS-cotton covered	MK4.HAN9 TO 70267		£189.00
1	XELG115	WIRING HARNESS-cotton covered	MK4.HAN9 TO 72040		£189.00
2	XELG116	DIP SWITCH LEAD-cotton covered	MK1-MK2	R.H.D	£8.95
2	XELG117	DIP SWITCH LEAD-cotton covered	MK1-MK2	L.H.D	£8.95
2	XELG118	DIP SWITCH LEAD-cotton covered	MK3-MK4	R.H.D	£8.95
2	XELG119	DIP SWITCH LEAD-cotton covered	MK3-MK4	L.H.D	£8.95
4	XELG122	GROMMET-main harness	MK1-MK4		£1.25
4A	XELG123	GROMMET- sender unit/No.plate lamp harness	MK1-MK4	3/16" x 5/8"	£0.42
4A	XELG124	GROMMET- wiper motor/dip switch harness	MK1-MK4	1/8" x 5/8"	£0.42
5	XELG125	CLIP-wiring harness(small)	A/R	USE.ELG125	-
6	XELG126	CLIP-wiring harness(medium)	A/R	USE.ELG126	-
7	XELG127	CLIP-wiring harness(large)	A/R	USE.ELG127	-
10	XELG131	CONNECTOR-single	A/R	USE.ELG131	-
11	XELG132	CONNECTOR-double	A/R	USE.ELG132	-
12	XELG133	BULLET-wiring connector	A/R	USE.ELG133	-
14	XELG136	FLASHER UNIT-screw terminals	A/R	USE.ELG136	-
14	XELG137	FLASHER UNIT-push on terminals	A/R	USE.ELG137	-
18	XELG155	FUSE BOX-screw terminals	MK1	USE.ELG155	-
19	XELG156	FUSE BOX-push on terminals	MK2-MK3	USE.ELG156	-
20	XELG157	COVER-fuse box	MK2-MK3	USE.ELG157	-
21	XELG158	FUSE BOX	MK4		£8.55
22	XELG158A	COVER-fuse box	MK4		£1.58
23	XELG159	FUSE-35amp	A/R	USE.ELG159	-
26	XELG163	VOLTAGE CONTROL BOX	MK1	USE.ELG163	-
26	XELG164	VOLTAGE CONTROL BOX	MK2-MK4		£22.00
27	XELG165	VOLTAGE CONTROL BOX	MK4		£22.75
31	XELG169	ALTERNATOR CONVERSION KIT	MK1-MK4	REQ CONVERTING TO NEG EARTH	£125.00
32	XELG170	DYNAMO	948CC	OUTRIGHT SALE	£99.50
32	XELG170A	ALTERNATOR - original dynamo body	948CC	POS EARTH/Mechanical tacho	£499.95
32	XELG170C	ALTERNATOR - original dynamo body	948CC	NEG EARTH/Mechanical tacho	£475.00
32	XELG171	DYNAMO	1098CC-1275CC	OUTRIGHT SALE	£55.00
32	XELG171A	ALTERNATOR - original dynamo body	1098CC-1275CC	POS EARTH/Electronic tacho	£395.00
32	XELG171C	ALTERNATOR - original dynamo body	1098CC-1275CC	NEG EARTH/Electronic tacho	£319.95
33	XELG172	BRUSHES-dynamo	MK1-MK4		£1.70
36	XELG175	BEARING-dynamo	MK1-MK4		£5.50
37	XELG176	STRAP-dynamo adjusting	948CC		£5.70
38	XELG177	PULLEY-dynamo	MK1-MK4		£37.50
39	XELG178	FAN-dynamo	MK1-MK4		£7.90
39A	XELG179	REAR MOUNTING BRACKET-dynamo	MK1-MK4		£13.50
40	XELG180	GEARBOX-tacho drive	MK1-MK2		£74.50
46	XELG190N	STARTER MOTOR-NEW	MK1-MK4		£59.95
47	XELG191	GEAR REDUCTION STARTER MOTOR	MK1-MK4		£165.00
49	XELG193	BUSH-commutator-starter motor	948CC-1275CC		£1.55
50	XELG194	BRUSHES-rectangular type	A/R		£3.45
50	XELG195	BRUSHES-wedge type	A/R		£3.60
51	XELG196	BUSH-drive end		EARLY TYPE STARTER	£2.15
51	XELG197	BUSH-drive end		LATE TYPE STARTER	£1.10
52	XELG198	PINION & BARREL ASSY		LATE TYPE STARTER	£16.50



No.	Part No.	Description	Application	Notes	Price ex VAT
53	XELG199	MAIN SPRING	MK1-MK4		£4.95
58	XELG205	BATTERY-12 volt-DRY	MK1-MK4		£139.95
59	XELG207	BATTERY TRAY - plastic	MK1-MK4	NON STANDARD	£8.50
61	XELG210	BATTERY BAR	MK1-MK2.HAN7.27755		£3.46
61	XELG211	BATTERY BAR	MK2-MK4	USE.XELG210	-
63	XELG215	BATTERY ROD	MK1-MK2.HAN7.27755		£1.95
63	XELG216	BATTERY ROD	MK2.HAN7.27756-MK4		£1.25
66	XELG220	BATTERY CABLE-pos. to earth	MK1-MK2	USE.ELG219	-
67	XELG221	BATTERY CABLE-neg to start	A/R	USE.XELG226	-
68	XELG224	CABLE-switch to starter	MK1-MK2		£11.50
66	XELG225	BATTERY CABLE-neg. to earth	MK3-MK4		£12.95
67	XELG226	BATTERY CABLE-pos. to solenoid	MK3-MK4		£17.45
70	XELG230	CABLE-engine earth	MK1-MK4		£7.45
72	XELG234	MOUNTING PILLAR	948CC	MECH TACHO	£4.95
72	XELG235	MOUNTING PILLAR	1098CC	ELEC TACHO	£7.25
76	XELG240	HORN-twin terminal-high note	MK1-MK4	SUBSTITUTE ONLY	£9.50



High performance gear reduction starters for the all of the Austin-Healey Sprite range. These superb units replace the original Lucas starters and make engine starting much easier preventing you from draining the battery. Installation requires no modification to the vehicle and only small wiring changes.



No.	Part No.	Description	Application	Notes	Price ex VAT
1	XELI101	DISTRIBUTOR-(rebuilt)	948CC		£99.50
1	XELI102	DISTRIBUTOR-(rebuilt)	1098CC		£99.50
1	XELI103	DISTRIBUTOR-new	1275CC		£109.50
2	XELI104	'O' RING-distributor	MK1-MK4		£0.45
3	XELI105	DISTRIBUTOR CAP-side entry	MK1-MK4		£7.00
4	XELI106	DISTRIBUTOR CAP-vertical entry	A/R		£4.50
5	XELI107	ACORN NUT-distributor cap	A/R	USE.ELI114	-
6	XELI108	ROTOR ARM	MK1-MK4	USE.ELI120	-
7	XELI109	L.T TERMINAL NYLON BUSH & LEAD	MK1-MK4		£5.95
8	XELI110	CONTACT SET	MK1-MK4	USE.ELI118	-
9	XELI112	CONDENSER	MK1-MK4	USE.ELI124	-
10	XELI113	VACUUM ADVANCE UNIT	948CC		£52.50
10	XELI113B	VACUUM ADVANCE UNIT	1098CC		£52.50
10	XELI114	VACUUM ADVANCE UNIT	1275CC		£31.50
12	XELI115	COIL	MK1-MK4	USE.ELI141	-
12	XELI116	COIL-ignition-SPORTS	MK1-MK4	USE.ELI141A	-
12	XELI116B	COIL-ignition-FLAME THROWER-BLACK	MK1-MK4	USE.ELI141B	-
12	XELI116C	COIL-ignition-FLAME THROWER - CHROME	MK1-MK4	USE.ELI141C	-
14	XELI117	WASHER-acorn nut	MK1-MK4	USE.ELI143	-
15	XELI118	ACORN NUT-coil	MK1-MK4	USE.ELI142	-
16	XELI119	LUCAS LABEL-ignition coil	A/R	USE.ELI154	-
17	XELI120	H.T.LEAD-BLACK(PER METRE)	MK1-MK4	USE.ELI150	-
17A	XELI120A	H.T.LEAD-BLACK/YELLOW (PER METRE)	MK1-MK4	USE.COM201	-
18	XELI121	SPACER-ignition leads	MK1-MK4		£1.50
18A	XELI121A	SLEEVE SET-ignition leads(1-4)	MK1-MK4	USE.ELI151	-
19	XELI122	IGNITION LEAD SET	MK1-MK4		£21.50
20	XELI123	PLUG CAP-right angle(genuine champion)	MK1-MK4	USE.ELI149A	-
21	XELI124	PLUG CAP-rt angle-lucas type	A/R	USE.ELI148	-
22	XELI125	PLUG CAP-right angle-(NGK)	MK1-MK4	USE.ELI147	-
24	XELI127	SPARK PLUG-N9Y	MK1-MK4	USE.ELI145	-
24	XELI127A	SPARK PLUG - high performance	MK1-MK3	USE.COM172	-
25	XELI128	VACUUM PIPE	MK1-MK4		£21.95
27	XELI130	VACUUM PIPE - plastic	A/R		£1.50
28	XELI131	CONNECTION-RUBBER	MK1-MK4	USE.ELI134	-
29	XELI132	PIPE CONNECTOR-straight	A/R		£0.80
30	XELI133	PIPE CONNECTOR-right angle	A/R		£0.85
32	XELI135	CLAMP-distributor	MK1-MK4		£8.75
34	XELI138	LUMINATION DISTRIBUTOR KIT	MK1	USE.ELI190	-
37	XELI140	IGNITOR IGNITION KIT-pos earth	25D4	POS. EARTH	£100.00
37	XELI141	IGNITOR IGNITION KIT-neg earth	25D4	NEG. EARTH	£88.00





No.	Part No.	Description	Application	Notes	Price ex VAT
1	XELS101	STARTER SWITCH	948CC		£21.50
2	XELS102	COUPLING-switch to cable	MK1-MK2		£4.45
2B	XELS102B	RUBBER BOOT-starter switch cable	MK1-MK2	USE.ELS148	-
3	XELS103	STARTER SOLENOID	MK2-MK4	USE.ELS147	-
4	XELS104	IGNITION/LIGHT SWITCH	MK1		£55.00
5	XELS105	KNOB-ignition/light switch	MK1		£6.75
6	XELS106	LOCKING BARREL & KEYS	MK1-MK4	USE.ELS110	-
7	XELS107	IGNITION KEY-BLANK(F.S.)	MK1-MK4	USE.ELS111	-
9	XELS110	IGNITION SWITCH	MK2		£12.75
9	XELS111	IGNITION SWITCH	MK3-MK4		£9.75
12	XELS115	INDICATOR SWITCH	MK1-MK2		£13.50
14	XELS117	INDICATOR SWITCH	MK3 LATE	HORN & FLASHER	£45.00
14	XELS118	INDICATOR SWITCH	MK4	NO HORN	£24.00
15	XELS119	CLIP-with horn contact	MK3-MK4		£8.90
16	XELS120	WIPER SWITCH	MK1	USE.ELS155	-
17	XELS120K	KNOB-wiper switch	MK1		£4.60
18	XELS121	WIPER SWITCH	MK2 1098	USE.ELS156	-
20	XELS123	WIPER SWITCH	MK4		£12.25
21	XELS125	LIGHT SWITCH	1098CC	USE.ELS109	-
22	XELS126	LIGHT SWITCH	1275CC		£8.95
23	XELS129	MOUNTING BRACKET-dip switch	MK1		£10.50
24	XELS130	DIP SWITCH	MK1	USE.ELS105	-
25	XELS131	DIP SWITCH	MK2		£14.50
26	XELS132	DIP SWITCH	MK3-MK4	USE.ELS106	-
29	XELS135	PANEL SWITCH	MK1-MK2	USE.ELS140	-
30	XELS136	PANEL SWITCH	MK3	USE.ELS156	-
31	XELS137	PANEL SWITCH	MK4		£9.95
32	XELS140	HAZARD SWITCH	MK4		£13.60
35	XELS143	DOOR COURTESY SWITCH	MK3-MK4		£5.95
38	XELS150	STOP LIGHT SWITCH-spade conn.	MK1-MK4	USE.ELS152	-

