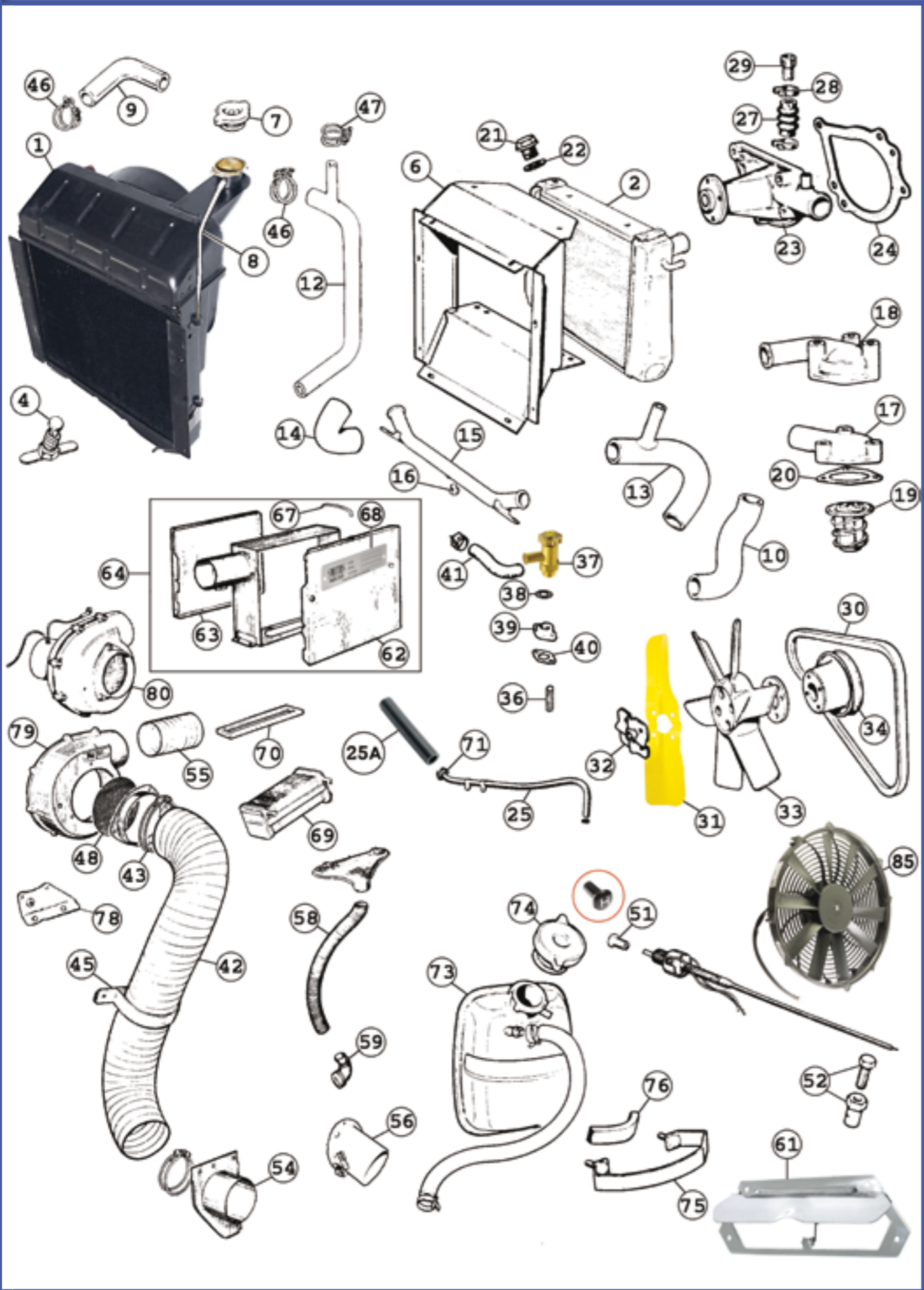


No.	Part No.	Description	Application	Notes	Price ex VAT
1	XCHT101	RADIATOR-RECOND.-exchange only	VERTICAL FLOW	VERTICAL FLOW £100 surcharge	£139.50
1	XCHT102	RADIATOR-NEW	VERTICAL FLOW	VERTICAL FLOW	£129.00
2	XCHT103	RADIATOR-RECOND.-exchange only	CROSS FLOW	CROSS FLOW £100 surcharge	£110.00
4	XCHT105	DRAIN TAP-radiator	VERTICAL FLOW	VERTICAL FLOW	£5.45
6	XCHT107	RADIATOR COWL	CROSS FLOW	CROSS FLOW RAD	£127.50
7	XCHT108	CAP-radiator	MK1-MK3	USE.CHT105	-
8	XCHT109	PIPE-overflow-radiator	MK1-MK4	USE.CHT104	-
9	XCHT110	HOSE-top	VERTICAL FLOW	VERTICAL FLOW	£3.95
10	XCHT112	HOSE-top	CROSS FLOW	CROSS FLOW	£3.90
12	XCHT115	HOSE-bottom	948CC		£10.50
12	XCHT116	HOSE-bottom	1098CC & 1275CC		£11.50
13	XCHT117	HOSE-bottom-to pump	1275CC	CROSS FLOW	£7.50
14	XCHT118	HOSE-bottom-to tube	1275CC	CROSS FLOW	£2.40
15	XCHT119	LOWER TUBE	CROSS FLOW	CROSS FLOW	£19.00
16	XCHT120	DRAIN PLUG	CROSS FLOW	CROSS FLOW	£2.65
17	XCHT122	HOUSING-thermostat	948CC	VERTICAL FLOW	£16.50
17	XCHT123	HOUSING-thermostat	1098CC & 1275CC	VERTICAL FLOW	£19.35
18	XCHT123A	HOUSING-thermostat	1275CC	CROSS FLOW	£8.25
19	XCHT124	THERMOSTAT	MK1-MK4	USE.CHT118	-
20	XCHT125	GASKET-thermostat	MK1-MK4		£0.20
21	XCHT126	FILLER PLUG	CROSS FLOW	CROSS FLOW	£3.95
22	XCHT127	WASHER-filler plug	CROSS FLOW	CROSS FLOW	£0.25
23	XCHT128	WATER PUMP	MK1-MK3	948CC - 1098CC	£13.95
23	XCHT128A	WATER PUMP	MK4	1275CC	£12.25
24	XCHT129	GASKET-water pump	MK1-MK4		£0.39
25	XCHT130	HEATER PIPE-copper	MK1-MK2		£18.50
25A	XCHT130A	HOSE - water outlet	MK1-MK3		£0.95
27	XCHT132	HOSE-by pass	MK1-MK4		£2.25
28	XCHT133	CLIP-by pass hose	MK1-MK4		£0.55
29	XCHT134	ADAPTOR	MK1-MK4	USE.XENG594	-
30	XCHT135	FAN BELT	948CC		£3.35
30	XCHT136	FAN BELT	1098CC-1275CC	VERTICAL FLOW	£3.95
30	XCHT137	FAN BELT	1275CC	CROSS FLOW	£3.50
31	XCHT138	FAN BLADE	MK1-MK3		£17.50
32	XCHT139	PLATE-stiffener	MK1-MK3		£5.50
33	XCHT141	FAN BLADE-plastic	CROSS FLOW	CROSS FLOW RADIATOR	£15.75
34	XCHT142	PULLEY	MK1-MK3		£46.00
36	XCHT144	STUD-heater tap	MK1-MK4		£0.80
37	XCHT145	HEATER VALVE	MK1-MK4		£10.00
38	XCHT146	WASHER-valve to base	MK1-MK4		£0.25
39	XCHT147	BASE-heater valve	MK1-MK4		£3.65
40	XCHT148	GASKET-valve to block	MK1-MK4		£0.28
41	XCHT149	HOSE-heater valve	MK1-MK4		£3.95
41	XCHT149A	HOSE-heater valve	1275CC G-AN5-91408		£3.25
42	XCHT150	AIR DUCT	948CC	USE.CHT156	-
42	XCHT151	AIR DUCT	1098CC-1275CC		£8.45
43	XCHT152	CLIP-hose securing	MK1-MK4	USE.CHT161	-
45	XCHT154	CLAMP-air duct to body	MK1-MK4	USE.CHT163	-
46	XCHT155	HOSE CLIP-wire	MK1-MK4		£0.95
47	XCHT156	CLIP(1/2)-heater hose	MK1-MK4	USE.CHT181A	-
48	XCHT158	WIRE MESH - air intake	MK1-MK4	USE.CHT206	-



No.	Part No.	Description	Application	Notes	Price ex VAT
51	XCHT161	KNOB-heater switch	MK1-MK4		£4.65
52	XCHT162	TRUNNION & SCREW	MK1-MK4	USE.CHT203	-
54	XCHT164	PLATE & INLET FLANGE	MK1		£20.95
55	XCHT165	DUCT-blower to heater	MK1-MK4		£3.50
56	XCHT166	AIR INTAKE ASSY	MK3-MK4		£54.50
58	XCHT168	HOSE-demister	MK1-MK4		£10.95
59	XCHT170	ELBOW-heater	MK1-MK4	USE.CHT165	-
61	XCHT171	HEATER OUTLET-FOOTWELL	MK1-MK4	USE.CHT236	-
62	XCHT175	HEATER BOX-front only	MK1-MK4		£15.50
63	XCHT176	HEATER BOX-rear only	MK1-MK4		£14.95
64	XCHT177	HEATER BOX UNIT	MK1-MK4	58-72 LESS RAD	£72.50
64	XCHT178	HEATER BOX UNIT	MK4	72-74 LESS RAD	£52.50
67	XCHT181	CLIP-heater box	MK1-MK4	58-72	£0.95
67	XCHT182	CLIP-heater box	MK4 72-4	USE.CHT199	-
68	XCHT183	PLATE-smiths heater	MK1-MK2	USE.CHT212	-
69	XCHT184	HEATER MATRIX	MK1-MK4		£48.50
70	XCHT185	FELT SEAL KIT-heater matrix	MK1-MK4		£2.45
71	XCHT186	GROMMET-heater pipe	MK1-MK4		£0.61
73	XCHT188	EXPANSION TANK	CROSS FLOW	CROSS FLOW	£47.50
74	XCHT189	RADIATOR CAP	CROSS FLOW	CROSS FLOW	£3.45
75	XCHT190	STRAP-expansion tank	CROSS FLOW	CROSS FLOW	£11.50
76	XCHT191	RUBBER	CROSS FLOW	CROSS FLOW	£2.25
78	XCHT193	BRACKET-heater blower	MK1		£6.95
79	XCHT194	CASING-HEATER BLOWER	MK1-MK4		£49.50
80	XCHT195	HEATER BLOWER ASSY-complete	MK1-MK2		£185.00
85	XCHT200	REVOTEC FAN & FITTING KIT (POSITIVE EARTH)	VERTICAL FLOW	VERTICAL FLOW	£162.50
85	XCHT201	REVOTEC FAN & FITTING KIT (NEGATIVE EARTH)	VERTICAL FLOW	VERTICAL FLOW	£133.30
85	XCHT202	REVOTEC FAN & FITTING KIT (POSITIVE EARTH)	CROSS FLOW	CROSS FLOW	£191.50
85	XCHT203	REVOTEC FAN & FITTING KIT (NEGATIVE EARTH)	CROSS FLOW	CROSS FLOW	£162.50

