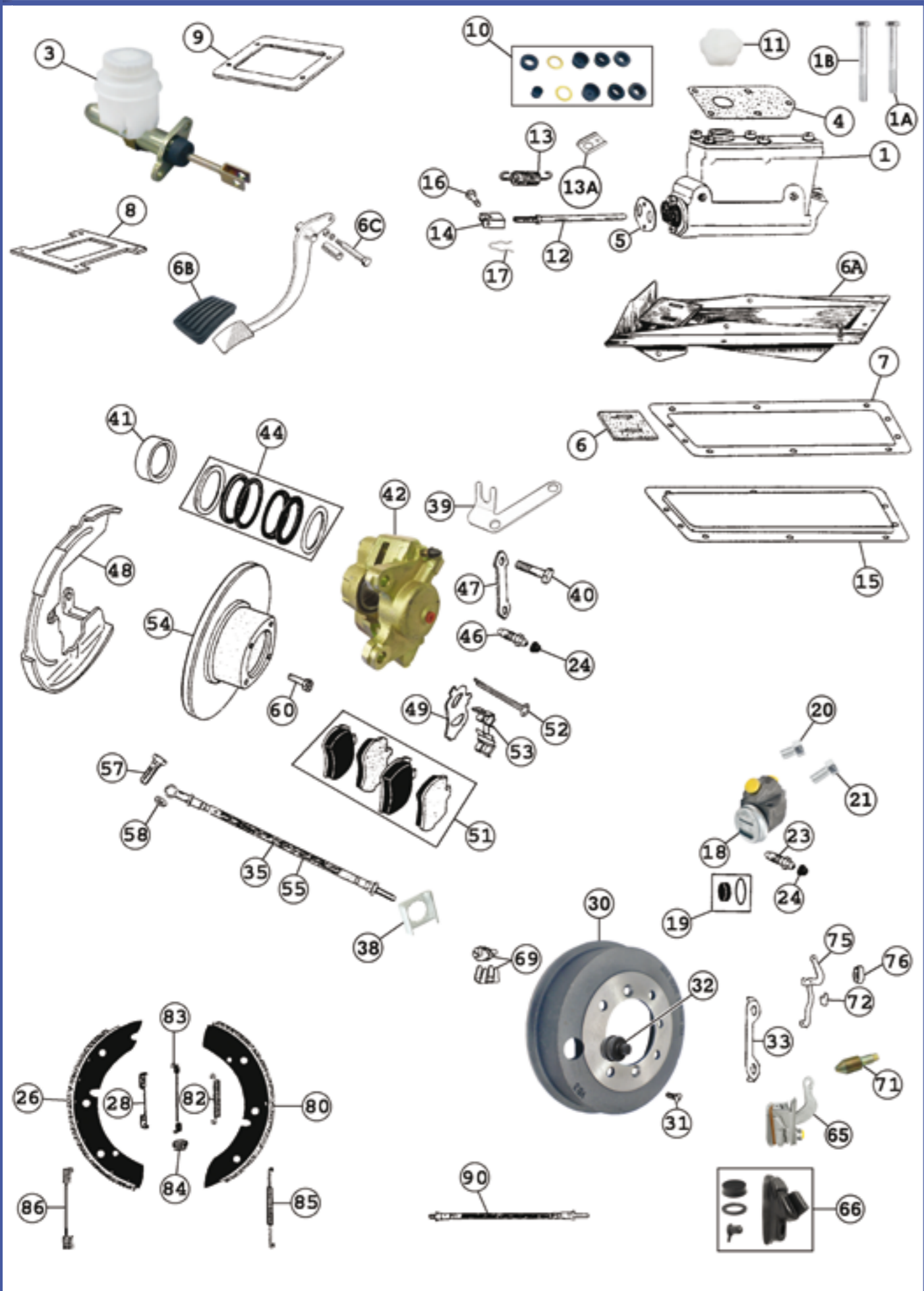
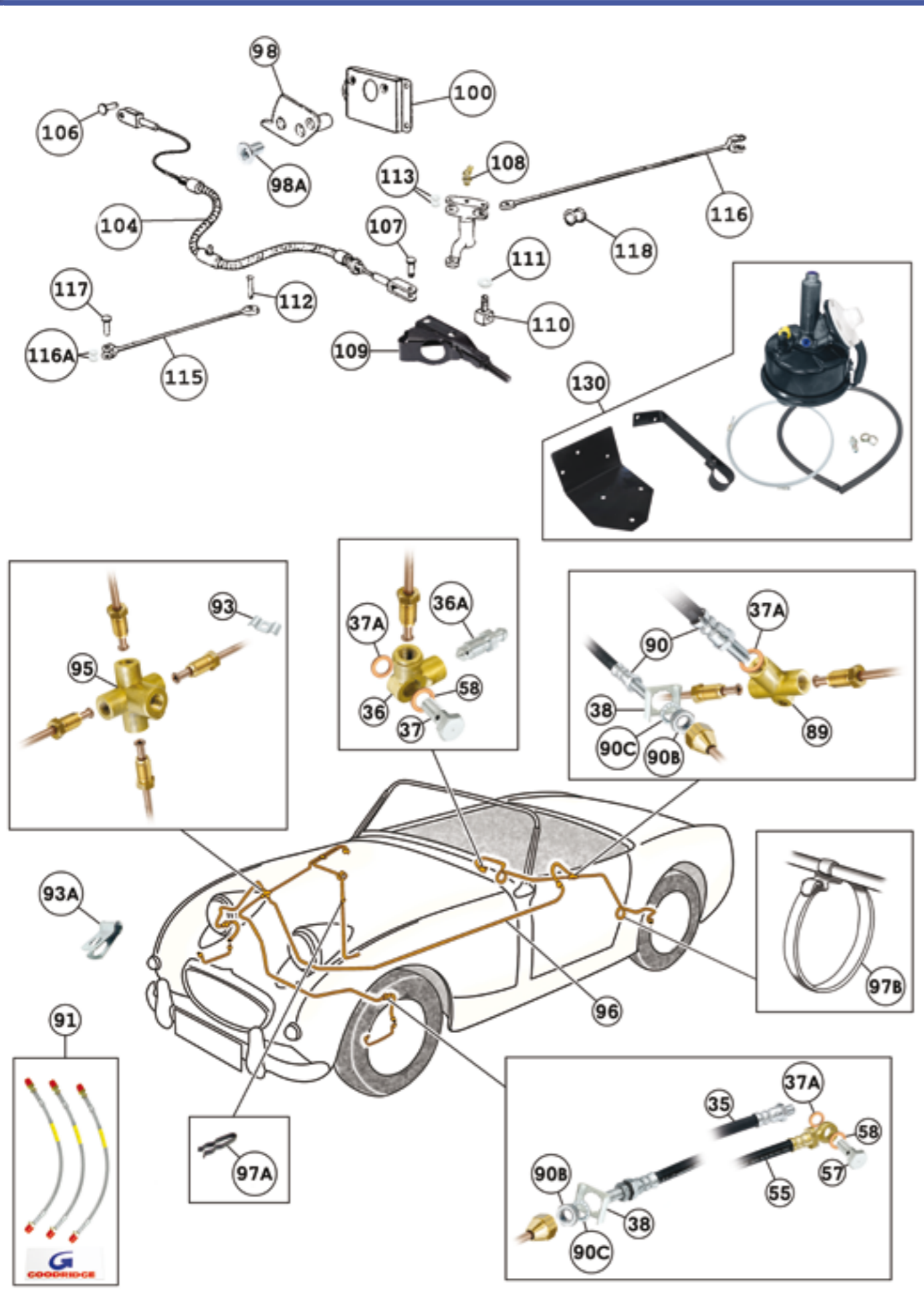


No.	Part No.	Description	Application	Notes	Price ex VAT
1	XBRK101	MASTER CYLINDER-dual-7/8'-O.E.	948CC	O.E.	£109.00
1	XBRK101X	MASTER CYLINDER-dual-7/8'-AFTER MARKET	948CC		£69.95
1	XBRK102	MASTER CYLINDER-dual-3/4'	1098CC	DISC BRAKE	£129.50
1A	XBRK102A	BOLT - master cylinder mounting short	MK1-MK3		£0.65
1B	XBRK102B	BOLT - master cylinder mounting long	MK1-MK3		£0.70
3	XBRK105	MASTER CYLINDER	1275CC		£46.50
4	XBRK106	GASKET-m/cyl top cover	MK1-MK3		£0.98
5	XBRK107	GASKET-m/cyl boot fixing plate	MK1-MK3		£0.80
6	XBRK108	DRAUGHT EXCLUDER-pedal box	MK1-MK3		£1.14
6A	XBRK108A	PEDAL BOX ASSY	MK1-MK3		£74.50
6B	XBRK108B	PEDAL RUBBER-brake & clutch	MK1-MK4		£1.10
6C	XBRK108C	BOLT- brake & clutch pedal	MK1-MK3	USE.XCLU148	-
7	XBRK109	SEAL-pedal box to footwell	MK1-MK3		£1.20
8	XBRK109A	SEAL-pedal box plate	MK4		£0.94
9	XBRK109B	SEAL-pedal box plate	MK4		£0.95
10	XBRK110	REPAIR KIT-m/cylinder-7/8'	948CC		£10.85
10	XBRK111	REPAIR KIT-m/cylinder-3/4'	1098CC	DISC BRAKES	£8.35
10	XBRK112	REPAIR KIT-m/cylinder	1275CC		£5.95
11	XBRK113	FILLER CAP-master cylinder	DUAL M/CYLINDER	DUAL M/CYLINDER	£2.90
12	XBRK114	PUSH ROD-m/cylinder-dual	DUAL M/CYLINDER	DUAL M/CYLINDER	£3.75
13	XBRK115	SPRING-pedal return	MK1-MK2	USE.XCLU145	-
13A	XBRK115A	RETAINER, spring	MK1-MK3		£1.40
14	XBRK116	FORK END-push rod	DUAL M/CYLINDER	DUAL M/CYLINDER	£4.60
15	XBRK117	BLANKING PLATE-pedal box	MK1-MK2		£7.95
16	XBRK118	CLEVIS PIN -fork end	DUAL M/CYLINDER	DUAL M/CYLINDER	£2.05
17	XBRK119	SPRING CLIP-clevis pin	DUAL M/CYLINDER	DUAL M/CYLINDER	£0.60
18	XBRK120	WHEEL CYLINDER-R/H-front	DRUM BRAKES	DRUM BRAKES	£14.25
18	XBRK121	WHEEL CYLINDER-L/H-front	DRUM BRAKES	DRUM BRAKES	£14.25
19	XBRK122	REPAIR KIT-front wheel cyl.	DRUM BRAKES	DRUM BRAKES 4 REQ'D	£3.95
20	XBRK123	BOLT - wheel cylinder fixing small	DRUM BRAKES		£1.05
21	XBRK124	BOLT - wheel cylinder fixing (large)	DRUM BRAKES		£0.25
23	XBRK127	BLEED SCREW-wheel cylinder	DRUM	USE.XCLU138	-
24	XBRK128	DUST CAP-bleed screw	MK1-MK4	USE.BRK134	-
26	XBRK130	BRAKE SHOES-front-axle set	DRUM BRAKES	DRUM BRAKES	£13.80
28	XBRK133	SPRING-pull off	DRUM BRAKES	DRUM BRAKES	£2.65
30	XBRK135	BRAKE DRUM-front & rear	DRUM BRAKES	DRUM BRAKES	£12.25
31	XBRK136	SCREW-drum to front hub	DRUM	USE.RAX153	-
31	XBRK136A	SCREW-drum to rear hub	MK1-MK4	USE.XRAX104	-
32	XBRK137	DUST PLUG-brake drum	DRUM BRAKES	DRUM BRAKES	£0.95
33	XBRK138	LOCK WASHER-rear brake drum	WIRE WHEEL ONLY	WIRE WHEEL ONLY	£0.49
35	XBRK140	BRAKE HOSE-front	DRUM BRAKES	DRUM BRAKES	£8.75
36	XBRK141	UNION-2 way	948CC TO HAN6.20791		£27.50
36A	XBRK141A	BLEED SCREW - 2 way union	948CC TO HAN6.20791	USE.XCLU138	-
37	XBRK142	BANJO BOLT - 2 way union	948CC TO HAN6.20791	HAN6.20791	£2.95
37A	XBRK142A	WASHER - copper (small)	948CC TO HAN6.20791	USE.BRK187	-
38	XBRK143	LOCKPLATE-brake pipe	MK1-MK4		£1.65
39	XBRK147	BRACKET - BRAKE HOSE RH	DISC BRAKES		£9.25
39	XBRK148	BRACKET - BRAKE HOSE LH	DISC BRAKES		£9.25
40	XBRK149	BOLT-caliper mounting	DISC BRAKES	DISC BRAKES	£1.55
41	XBRK150	PISTON-caliper	DISC BRAKES	DISC BRAKES	£11.70
42	XBRK151	CALIPER R/H-NEW	A/R		£42.50
42	XBRK152	CALIPER L/H-NEW	A/R		£42.50



No.	Part No.	Description	Application	Notes	Price ex VAT
44	XBRK154	REPAIR KIT-caliper-per side	DISC BRAKES	DISC BRAKES PER SIDE	£6.95
46	XBRK156	BLEED SCREW-caliper	DISC	USE.XBRK127	-
47	XBRK157	LOCK WASHER-caliper	DISC BRAKES	DISC BRAKES	£0.39
48	XBRK158	DUST COVER-R/H-disc	DISC BRAKES	DISC BRAKES	£13.95
48	XBRK159	DUST COVER-L/H-disc	DISC BRAKES	DISC BRAKES	£13.95
49	XBRK160	SHIMS-anti squeal	DISC BRAKES	DISC BRAKES	£0.90
51	XBRK162	PADS-brake	DISC BRAKES	DISC BRAKES	£9.00
51	XBRK162A	BRAKE PADS - EBC kevlar	DISC BRAKES	ANTI DUST GREEN STUFF	£26.75
52	XBRK163	PIN-pad retaining	DISC BRAKES	DISC BRAKES	£0.18
53	XBRK164	CLIP-retaining-pads	DISC BRAKES	DISC BRAKES	£0.85
54	XBRK165	DISC-brake	DISC BRAKES	DISC BRAKES	£11.50
54	XBRK165C	TURBO DISK KIT-competition	DISC BRAKES	NOT FOR W.W	£127.50
54	XBRK166	DISC-brake-wire wheels	DISC BRAKES	DISC BRAKES	£13.95
55	XBRK167	HOSE-brake-front	DISC BRAKES	DISC BRAKES	£6.50
57	XBRK169	BANJO BOLT-front brake hose	DISC BRAKES	DISC BRAKES	£2.95
58	XBRK170	WASHER-COPPER-banjo bolt	DISC BRAKES	DISC BRAKES	£0.36
60	XBRK173	BOLT-brake disc to hub	DISC BRAKES	DISC BRAKES	£1.35
65	XBRK180	WHEEL CYLINDER-rear	948CC TO HAN6.20544		£19.25
65	XBRK181	WHEEL CYLINDER-rear	DRUM BRAKES	DRUM BRAKES-FRONT	£17.50
65	XBRK182	WHEEL CYLINDER-rear	DISC BRAKES	DISC BRAKES-FRONT	£12.95
66	XBRK183	REPAIR KIT-rear wheel cyl.	948CC TO HAN6.20544	2 REQ'D	£4.85
66	XBRK184	REPAIR KIT-rear wheel cyl.	DRUM BRAKES	DRUM BRAKES-FRONT	£2.75
66	XBRK185	REPAIR KIT-rear wheel cyl.	DISC BRAKES	DISC BRAKES-FRONT	£4.45
69	XBRK188	ADJUSTER-complete	948CC TO HAN6.20544	MODIFICATION REQUIRED	£18.95
71	XBRK190	BRAKE ADJUSTER	HAN6.20792 ON		£2.80
72	XBRK191	ADJUSTER-tappet	HAN6.20792 ON		£5.60
75	XBRK194	LEVER-handbrake-R/H	HAN6.20792 ON		£6.60
75	XBRK195	LEVER-handbrake-L/H	HAN6.20792 ON		£6.60
76	XBRK196	DUST COVER-lever	HAN6.20792 ON		£1.40
80	XBRK201	BRAKE SHOES-rear-axle set	DRUM BRAKES	DRUM BRAKES-FRONT	£19.50
80	XBRK202	BRAKE SHOES-rear-axle set	DISC BRAKES	DISC BRAKES-FRONT	£9.95
82	XBRK205	RETURN SPRING-abutment end	948CC TO HAN6.20544		£2.30
83	XBRK206	RETURN SPRING-cylinder end	948CC TO HAN6.20544		£1.90
84	XBRK207	SPRING-shoe steady	948CC TO HAN6.20544		£1.10
85	XBRK208	RETURN SPRING-adjuster end	HAN6.20792 ON		£1.39
86	XBRK209	RETURN SPRING-R/H-cyl.end	HAN6.20792 ON		£2.15
86	XBRK210	RETURN SPRING-L/H-cyl.end	HAN6.20792 ON		£2.15
89	XBRK219	UNION REAR - 3-way	MK1-MK4		£6.10



No.	Part No.	Description	Application	Notes	Price ex VAT
90	XBRK220	BRAKE HOSE-rear	MK1-MK4		£5.65
90B	XBRK220B	NUT-hose retaining	MK1-MK4	USE.BRK188	-
90C	XBRK220C	WASHER-shakeproof	MK1-MK4	USE.BRK189	-
91	XBRK221	BRAKE HOSE KIT-s.steel braid	DRUM BRAKE	GOODRIDGE BRAND	£59.50
91	XBRK222	BRAKE HOSE KIT-s.steel braid	DISC BRAKE	GOODRIDGE BRAND	£59.50
93	XBRK225	CLIP-pipes to footwell-rhd	MK1-MK4	USE.BRK267	-
93A	XBRK226	CLIP - clutch & brake pipe LHD only	MK1-MK3	LHD ONLY	£0.60
95	XBRK229	UNION FRONT - 4-way	MK1-MK4		£15.75
96	XBRK230	BRAKE PIPE KIT-KUNIFER-R.H.D	DRUM BRAKES	DRUM BRAKES	£69.95
96	XBRK231	BRAKE PIPE KIT-KUNIFER-L.H.D	DRUM BRAKES	DRUM BRAKES	£69.95
96	XBRK232	BRAKE PIPE KIT-KUNIFER-R.H.D	DISC BRAKES	DISC BRAKES	£59.95
96	XBRK233	BRAKE PIPE KIT-KUNIFER-L.H.D	DISC BRAKES	DISC BRAKES	£59.95
97A	XBRK236	CLIP - brake pipe	MK1-MK4	USE.BRK238	-
97B	XBRK237	STRAP - pipe to back axle	MK1-MK4		£2.95
98	XBRK238	RATCHET-handbrake	MK1-MK4		£12.75
98A	XBRK238A	SCREW - handbrake to bracket	MK1-MK4		£0.79
100	XBRK240	PLATE-mounting-handbrake	MK1-MK4		£4.95
104	XBRK250	CABLE-handbrake	MK1-MK4		£12.95
106	XBRK253	CLEVIS PIN-cable to lever	MK1-MK4		£0.55
107	XBRK254	CLEVIS PIN-cable to bal.lever	MK1-MK4		£0.62
108	XBRK256	GREASE NIPPLE - balance lever	MK1-MK4	USE.SUF113	-
109	XBRK257	BRACKET - handbrake lever support	MK1-MK4		£39.50
110	XBRK258	CARRIER SUPPORT	MK1-MK4		£5.50
111	XBRK258A	FELT WASHER - carrier support	MK1-MK4		£0.27
112	XBRK260	CLEVIS PIN-rod to bal.lever	MK1-MK4		£0.68
113	XBRK261	FELT WASHER - rod to bal lever	MK1-MK4		£0.50
115	XBRK263	LINK ROD-L/H	948CC TO HAN6.20544		£8.75
116	XBRK264	LINK ROD-R/H	HAN6.20793 ON		£17.75
115	XBRK265	LINK ROD-L/H	HAN6.20793 ON		£9.50
116A	XBRK267	FELT WASHER-rod to brake lever	MK1-MK4		£0.21
117	XBRK268	CLEVIS PIN-rod to brake lever	EARLY	USE.BRK117	-
117	XBRK269	CLEVIS PIN-rod to brake lever	LATE	USE.BRK229	-
118	XBRK270	FERRULE-cross rod steady	MK1-MK4	USE.BRK230	-
122	XBRK290	PEDAL RUBBER-brake & clutch	MK1-MK4	USE.XBRK108B	-
125	XBRK295	TURBO DISK KIT-competition	KEVLAR PADS	USE.XBRK165C	-
126	XBRK296	BRAKE PADS - kevlar	A/R	USE.XBRK162A	-
130	XBRK300	BRAKE SERVO KIT - Lockheed	A/R	LOCKHEED	£155.00